



**SHACMAN**



# **SHACMAN Spare Parts Manual**

**陕汽重卡配件图册**

## SHACMAN配件保障体系简介

SHACMAN具有全球完善的配件服务网络体系，拥有120余家海外配件经销渠道，分布在非洲、亚太、亚俄、中南美、中东等整车产品主销区域；国内配件保障库存达到5000余万，平均每年向海外出口配件约1亿元；海外配件产品覆盖全面，海外配件库存储备近6000万元。

近年来，为适应海外重卡市场发展和变化，SHACMAN对配件保障模式开拓创新，建立了配件中心库与配件专营店分销保障及重点项目配件寄售保障等多样化的配件保障模式，通过强大的配件网络保障体系及充足的海内外配件库存资源，为客户提供强有力的配件保障支持。SHACMAN始终践行“关注产品全生命周期，关注客户运营全过程”的“两个关注”理念，致力于为客户提供精准、高效的后市场服务配件保障。

### Brief Introduction Of SHACMAN Spare Parts Supply System

SHACMAN owns comprehensive global spare parts service system with more than 120 overseas distributors covering Africa, Asia-Pacific, Asia-Russia, Central and South America and the Middle East. There are spare parts of more than 50 million yuan in domestic stock with average annual sales of spare parts reached 100 Million yuan, and of more than 60 million yuan in overseas stock which covers a comprehensive range to provide the full service life support for efficient operation of trucks.

In recent years, spare parts support model has been developed and innovated in order to adapt to the development and changes of overseas heavy truck market. SHACMAN has developed several spare parts support models such as Parts Center and Parts Store distribution model and the consignment sales model for key projects to provide strong parts support to customers through strong distribution networks and sufficient stocks in domestic as well as overseas stocks. SHACMAN will continuously practice the principle of “two focuses” which means “focus on product life cycle, and focus on focus on customers' whole operation process to provide precise and efficient after-market spare parts support service.



# SHACMAN

## Spare Parts Manual

陕汽重卡配件图册

# CATALOG 目录

## 一.驾驶室 CAB

|                                   |    |
|-----------------------------------|----|
| (1)X3000驾驶室/X3000 Cab             | 05 |
| (2)H3000 M3000驾驶室/H3000 M3000 Cab | 17 |
| (3)F3000 F2000驾驶室/F3000 F2000 Cab | 31 |

## 二.车桥 AXLE

|   |    |
|---|----|
| (1)汉德 MAN7.5吨 转向轴 Hande MAN7.5T Steering Axle(HDM7.5)       | 44 |
| (2)汉德 MAN9.5吨 转向轴 Hande MAN9.5T Steering Axle(HDZ9.5)       | 47 |
| (3)汉德 13吨/16吨 STR驱动桥 Hande 13T/16T STR Driving Axle(HDS300) | 50 |
| (4)汉德 13吨/16吨 MAN驱动桥 Hande 13T/16T MAN Driving Axle(HDZ300) | 68 |
| (5)汉德 16吨 MAN驱动桥 Hande 16T MAN Driving Axle(HDM300)         | 82 |





### 三.零部件信息 PARTS INFORMATION

|   |     |
|---|-----|
| (1)驾驶室部件 Cab parts                      | 91  |
| (2)发动机部件 Engine parts                   | 96  |
| (3)变速箱部件 Transmission parts             | 101 |
| (4)车桥部件 Axle parts                      | 106 |
| (5)底盘部件 Chassis parts                   | 110 |
| (6)上装部件 Special vehicle refitment parts | 132 |

# SHACMAN

Spare Parts Manual

---

## CAB 驾驶室

X3000/H3000/M3000/F3000/F2000





## X3000驾驶室 CAB



4/加长高顶驾驶室  
Lengthened High Roof



5/加长平顶驾驶室  
Lengthened Flat Roof



6/中长平顶驾驶室  
Mid-Lengthened Flat Roof

## X3000驾驶室前部部件 Front Parts Of X3000 Cab

遮阳罩/Sun Shade

右示廓灯/Right Clearance Lamp

前视镜/Front View Mirror

右后视镜/Right Rear View Mirror

雨刮臂/Wiper Arm

右A柱外装饰板/Left A-Pillar Decorating Plate

SHACMAN标/SHACMAN Logo

右扰流板/Right Spoiler

陕汽标/SQ Logo

右前组合灯/Right Headlamp

保险杠/Bumper

遮阳罩装饰灯/Sun Shade Decorating Lamp

左后视镜/Left Rear View Mirror

挡风玻璃/Windshield

左A柱外装饰板/Left A-Pillar Decorating Plate

X3000标/X3000 Logo

左扰流板/Left Spoiler

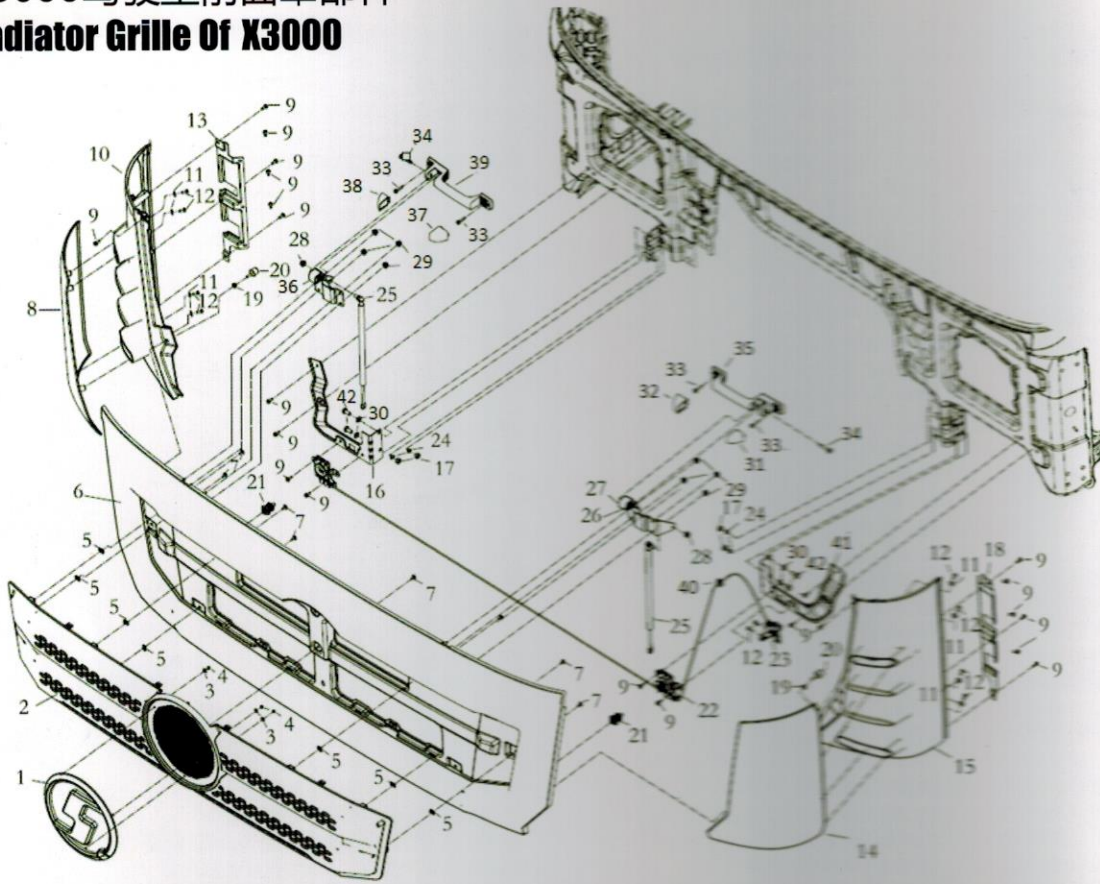
前面罩/Radiator Grille

左前组合灯/Left Headlamp



| 分类/Classify                      | 件号/Part No.          | 主要技术状态  | Main Technical Status   |
|----------------------------------|----------------------|---|---|
| 保险杠/Bumper                       | DZ97189621065        | 保险杠/公路车辆用   | Bumper/Road Vehicle   |
|                                  | DZ97189621100        | 保险杠-WP13专用外观/公路车辆用  | Bumper-For WP13 Engine Only/Road Vehicle                                |
|                                  | DZ97259623170        | 保险杠/工程车辆用   | Bumper/For Engineering Vehicle  |
|                                  | DZ97259623078        | 保险杠/工程车辆用/右置/带灯具保护栅   | Bumper/For Engineering Vehicle/RHD/With Headlamp Protective Grille      |
|                                  | DZ97259623098        | 保险杠/工程车辆用/右置  | Bumper/For Engineering Vehicle/RHD                                      |
|                                  | DZ97259623180        | 保险杠-WP13专用外观/工程车辆用  | Bumper-WP13 Engine Only/Engineering Vehicle                             |
| 后视镜/Rear View Mirror             | DZ14251770010        | 左后视镜  | Left Rear View Mirror   |
|                                  | DZ14251770011        | 右后视镜  | Right Rear View Mirror  |
|                                  | DZ14251770030        | 左后视镜/电动电加热  | Left Rear View Mirror/Electrical Adjust And Heat                        |
|                                  | DZ14251770031        | 右后视镜/电动电加热  | Right Rear View Mirror/Electrical Adjust And Heat                       |
|                                  | DZ14251771030        | 左后视镜/右置/电动电加热   | Left Rear View Mirror/RHD/Electrical Adjust And Heat                    |
|                                  | DZ14251771031        | 右后视镜/右置/电动电加热   | Right Rear View Mirror/RHD/Electrical Adjust And Heat                   |
| 前视镜/Front View Mirror            | DZ14251770040        | 左后视镜/电动电加热/海湾七国   | Left Rear View Mirror/Electrical Adjust And Heat/For GCC Certification  |
|                                  | DZ14251770041        | 右后视镜/电动电加热/海湾七国   | Right Rear View Mirror/Electrical Adjust And Heat/For GCC Certification |
|                                  | DZ14251770012        | 前视镜/4驾驶室  | Front View Mirror/For 4 Cab   |
|                                  | DZ14251771012        | 前视镜/4驾驶室/右置   | Front View Mirror/For 4 Cab/RHD   |
| 遮阳罩/Sun Shade                    | DZ14251770017        | 前视镜/4驾驶室/海湾七国   | Front View Mirror/For 4 Cab/For GCC Certification                       |
|                                  | DZ14251771013        | 前视镜/5、6驾驶室/右置   | Front View Mirror/For 5、6 Cab/RHD                                       |
|                                  | DZ14251770014        | 前视镜/5、6驾驶室/左置   | Front View Mirror/For 5、6 Cab/LHD                                       |
| 遮阳罩装饰灯/Sun Shade Decorating Lamp | DZ14251880011        | 遮阳罩/4驾驶室用   | Sun Shade/For 4 Cab   |
|                                  | DZ14251880052        | 遮阳罩/危险  | Sun Shade/Danger Sign   |
|                                  | DZ14251880032        | 遮阳罩/5、6驾驶室用   | Sun Shade/For 5、6 Cab   |
| 示廓灯/Clearance Lamp               | DZ97189721230        | 遮阳罩装饰灯  | Sun Shade Lamp  |
|                                  | DZ97189721231        | 遮阳罩装饰灯/白色   | Sun Shade Lamp/White  |
|                                  | DZ97189721232        | 遮阳罩装饰灯/橙色   | Sun Shade Lamp/Orange   |
| 前组合灯/Headlamp                    | DZ97189721210        | 左示廓灯  | Left Clearance Lamp   |
|                                  | DZ97189721220        | 右示廓灯  | Right Clearance Lamp  |
|                                  | DZ97189721212        | 左示廓灯/橙色   | Left Clearance Lamp/Orange  |
|                                  | DZ97189721222        | 右示廓灯/橙色   | Right Clearance Lamp/Orange   |
|                                  | DZ97189723210        | 公路车左前组合灯  | Road Vehicle Left Grouped Headlamp                                      |
|                                  | DZ97189723220        | 公路车右前组合灯  | Road Vehicle Right Grouped Headlamp                                     |
|                                  | DZ97189723211        | 公路车左前组合灯/日间行车灯  | Road Vehicle Left Grouped Headlamp/DRL                                  |
|                                  | DZ97189723221        | 公路车右前组合灯/日间行车灯  | Road Vehicle Right Grouped Headlamp/DRL                                 |
|                                  | DZ97189724211        | 公路车左前组合灯/日间行车灯/右置   | Road Vehicle Left Grouped Headlamp/DRL/RHD                              |
|                                  | DZ97189724212        | 公路车右前组合灯/日间行车灯/右置   | Road Vehicle Right Grouped Headlamp/DRL/RHD                             |
|                                  | DZ97189723251        | 公路车左前组合灯/日间行车灯/大灯高度电动调节   | Road Vehicle Left Grouped Headlamp/DRL/Adjustable Headlamp Height       |
|                                  | DZ97189723261        | 公路车右前组合灯/日间行车灯/大灯高度电动调节   | Road Vehicle Right Grouped Headlamp/DRL/Adjustable Headlamp Height      |
|                                  | DZ97189723250        | 公路车左前组合灯/大灯高度电动调节   | Road Vehicle Left Grouped Headlamp/Adjustable Headlamp Height           |
|                                  | DZ97189723260        | 公路车右前组合灯/大灯高度电动调节   | Road Vehicle Right Grouped Headlamp/Adjustable Headlamp Height          |
|                                  | DZ97189723230        | 工程车左前组合灯  | Engineering Vehicle Left Grouped Headlamp                               |
|                                  | DZ97189723240        | 工程车右前组合灯  | Engineering Vehicle Right Grouped Headlamp                              |
|                                  | DZ97189722230        | 工程车左前组合灯/右置   | Engineering Vehicle Left Grouped Headlamp/RHD                           |
|                                  | DZ97189722240        | 工程车右前组合灯/右置   | Engineering Vehicle Right Grouped Headlamp/RHD                          |
|                                  | DZ97189723270        | 工程车左前组合灯/大灯高度电动调节   | Engineering Vehicle Left Grouped Headlamp/Adjustable Headlamp Height    |
|                                  | DZ97189723280        | 工程车右前组合灯/大灯高度电动调节   | Engineering Vehicle Right Grouped Headlamp/Adjustable Headlamp Height   |
| DZ97189722270                    | 工程车左前组合灯/大灯高度电动调节/右置 | Engineering Vehicle Left Grouped Headlamp/Adjustable Headlamp Height/RHD  |   |
| DZ97189722280                    | 工程车右前组合灯/大灯高度电动调节/右置 | Engineering Vehicle Right Grouped Headlamp/Adjustable Headlamp Height/RHD |   |
| 雨刮臂/Wiper Arm                    | DZ14251740015        | 雨刮臂   | Wiper Arm   |
|                                  | DZ14251741015        | 雨刮臂/右置  | Wiper Arm/RHD   |
| SQ标/SQ Logo                      | DZ14251950001        | 陕汽标志牌   | SQ Logo   |
|                                  | DZ14251950080        | 陕汽标志牌/金色  | SQ Logo/Golden  |
| X3000标/X3000 Logo                | DZ14251950002        | X3000标牌   | X3000 Logo  |
|                                  | DZ14251950078        | X3000标牌/金色  | X3000 Logo/Golden   |
| SHACMAN标/Logo                    | DZ13241930232        | SHACMAN标牌   | SHACMAN Logo  |
| A柱外装饰板/Decorating Plate          | DZ14251972019        | 左A柱外装饰板/5、6驾驶室  | Left A-Pillar Decorating Plate/For 5、6 Cab                              |
|                                  | DZ14251972021        | 右A柱外装饰板/5、6驾驶室  | Right A-Pillar Decorating Plate/For 5、6 Cab                             |
|                                  | DZ14251970019        | 左A柱外装饰板/4驾驶室  | Left A-Pillar Decorating Plate/For 4 Cab                                |
|                                  | DZ14251970020        | 右A柱外装饰板/4驾驶室  | Right A-Pillar Decorating Plate/For 4 Cab                               |
| 挡风玻璃/Windshield                  | DZ14251710030        | 挡风玻璃/带印制天线  | Windshield/With Printed Antenna   |
| 前面罩/Radiator Grille              | DZ14251110010        | 前面罩   | Front Radiator Grille   |
|                                  | DZ14251110110        | 前面罩/新格栅   | Front Radiator Grille/With New Design Grilling                          |
|                                  | DZ14251110210        | 前面罩-WP13专用外观  | Front Radiator Grille-WP13 Engine Only                                  |
| 扰流角板/Spoiler                     | DZ14251110257        | 左侧扰流角板-WP13专用外观   | Left Spoiler/WP13 Engine Only   |
|                                  | DZ14251110262        | 右侧扰流角板-WP13专用外观   | Right Spoiler/WP13 Engine Only  |
|                                  | DZ14251110057        | 左侧扰流角板  | Left Spoiler  |
|                                  | DZ14251110062        | 右侧扰流角板  | Right Spoiler   |

# X3000驾驶室前面罩部件 Radiator Grille Of X3000



| 序号<br>ITEM | 件号<br>Part No. | 名称               | NAME   |
|------------|----------------|------------------|--|
| 1          | DZ14251950001  | 陕汽LOGO           | Shacman logo                                   |
| 2          | DZ14251110221  | 格栅               | Grille   |
| 3          | Q40205         | 大垫圈              | Big washer                                     |
| 4          | Q340B05        | 六角螺母             | Hexagon nut                                    |
| 5          | DZ14251110022  | 簧片螺母             | Reed nut                                       |
| 6          | DZ14251110211  | 前面罩本体            | Front grille body                              |
| 7          | Q2214816       | 十字槽盘头自攻螺钉和大垫圈组合件 | self tapping screw and big washer combination  |
| 8          | DZ14251110064  | 右侧扰流角板外板         | Right air deflector angle plate outer plate    |
| 9          | Q2300616       | 十字槽盘头螺钉和平垫圈组合件   | Self tapping screw and flat washer combination |
| 10         | DZ14251110263  | 右侧扰流角板内板         | Right air deflector angle plate inner plate    |
| 11         | Q40206         | 大垫圈              | Big washer                                     |
| 12         | Q2140616       | 十字槽盘头螺钉          | self tapping screw                             |
| 13         | DZ14251110065  | 右侧扰流角板安装板        | Right air deflector install board              |
| 14         | DZ14251110060  | 左侧扰流角板外板         | Left air deflector angle plate outer plate     |
| 15         | DZ14251110258  | 左侧扰流角板内板         | Left air deflector angle plate inner plate     |
| 16         | DZ14251110073  | 前面罩锁右安装支架        | Front grille lock right mounting bracket       |
| 17         | Q340B10        | 1型六角螺母           | Type 1 hexagon nut                             |
| 18         | DZ14251110061  | 左侧扰流角板安装板        | Right air deflector mounting bracket           |
| 19         | Q33006         | 全金属六角法兰面锁紧螺母     | All metal hexagon flange locking nut           |
| 20         | DZ14251110030  | 缓冲块总成            | Buffer assy                                    |
| 21         | SZ111000711    | 面罩锁锁头            | Front grille lock head                         |
| 22         | DZ14251110080  | 面罩锁锁座及拉杆总成       | Front grille lock seat and pull rod assembly   |
| 23         | DZ14251110075  | 面罩锁拉手柄           | Front grille lock pull handle                  |
| 24         | Q40310         | 弹簧垫圈             | Spring washer                                  |
| 25         | DZ14251110040  | 气弹簧总成            | Air spring assy                                |

| 序号<br>Item | 件号<br>Part No. | 名称             | Name  |
|------------|----------------|----------------|---|
| 26         | DZ14251110051  | 限位块            | Limit block                                   |
| 27         | DZ14251110050  | 前面罩左铰链         | Front grille left hinge assy                  |
| 28         | Q33008         | 全金属六角法兰面锁紧螺母   | All metal hexagon flange locking nut          |
| 29         | Q32208         | 六角螺母和锥形弹性垫圈组合件 | Hexagon nut and tapered elastomeric washer    |
| 30         | Q40110         | 平垫圈            | Flat washer                                   |
| 31         | DZ14251110047  | 前面罩左把手装饰盖II    | Front grille left front handle trim cover II  |
| 32         | DZ14251110046  | 前面罩左把手装饰盖 I    | Front grille left front handle trim cover I   |
| 33         | Q2300630       | 十字槽盘头螺钉和平垫圈组合件 | Self tapping screw and flat washer assy       |
| 34         | DZ14251110045  | 十字槽盘头螺钉        | Self tapping screw                            |
| 35         | DZ14251110044  | 前面罩左把手         | Front grille left handle                      |
| 36         | DZ14251110056  | 前面罩右铰链         | Front grille right hinge                      |
| 37         | DZ14251110054  | 前面罩右把手装饰盖 I    | Front grille right front handle trim cover II |
| 38         | DZ14251110055  | 前面罩右把手装饰盖II    | Front grille right front handle trim cover I  |
| 39         | DZ14251110053  | 前面罩右把手         | Front grille right handle                     |
| 40         | DZ13241110076  | 拉线护套           | Wire drawing sheath                           |
| 41         | DZ14251110071  | 前面罩锁左安装支架      | Front grille lock left mounting bracket       |
| 42         | Q150B1020      | 六角头螺栓          | Hexagon bolt                                  |

## X3000驾驶室后部部件 Rear Parts Of X3000 Cab

后风窗玻璃  
Rear Window Glass

进气扁管Intake-tube

进气波纹管Bellows



| 分类/CLASSIFY               | 件号/Part No.   | 主要技术状态           | MAIN TECHNICAL STATUS                      |
|---------------------------|---------------|------------------|--|
| 后窗玻璃<br>REAR WINDOW GLASS | DZ14251710050 | 后窗玻璃             | Rear Window Glass                          |
|                           | DZ14251710051 | 后窗玻璃密封条          | Rear Window Glass Seal                     |
| 波纹管/BELLOWS               | DZ97259190413 | 波纹管              | Bellows                                    |
| 进气扁管/<br>INTAKE-TUBE      | DZ97259191002 | 进气扁管             | Intake-tube                                |
|                           | DZ97259190410 | 进气扁管/匹配沙滤、油浴式空滤器 | Intake-tube/For Desert&Oil Bath Air Filter |

## X3000驾驶室侧部部件 Side Parts Of X3000 Cab

顶导流罩/Top Deflector

侧导流罩/Side Deflector

补盲后视镜/Passenger Door Blind-Spot Mirror

车门玻璃/Door Glass

后侧窗玻璃/Side Window Glass

车门外把手/Door Handle

翼子板/Fender

转向灯/Steering Lamp



| 分类/Classify                                   | 件号/Part No.   | 主要技术状态          | Main Technical Status                                  |
|---|---------------|-----------------|--|
| 车门外把手<br>/Door Handle                         | DZ14251340045 | 左车门外把手/无机械钥匙    | Left Door Handle/Without Mechanical Key                |
|   | DZ14251340046 | 右车门外把手/无机械钥匙    | Right Door Handle/Without Mechanical Key               |
|   | DZ14251340015 | 左车门外把手/中控锁      | Left Door Handle/Central Lock                          |
|   | DZ14251340025 | 右车门外把手/中控锁      | Right Door Handle/Central Lock                         |
|   | DZ14251340075 | 左车门外把手          | Left Door Handle                                       |
|   | DZ14251340076 | 右车门外把手          | Right Door Handle                                      |
| 补盲后视镜<br>/PASSENGER DOOR<br>BLIND-SPOT MIRROR | DZ14251770013 | 补盲后视镜           | PASSENGER DOOR BLIND-SPOT MIRROR                       |
|   | DZ14251770018 | 补盲后视镜/海湾七国      | PASSENGER DOOR BLIND-SPOT MIRROR/For GCC Certification |
| 车门玻璃<br>/Door Glass                           | DZ14251330011 | 左车门玻璃           | Left Door Glass  |
|   | DZ14251330012 | 右车门玻璃           | Right Door Glass                                       |
| 侧围窗玻璃<br>/Side Window Glass                   | DZ14251710011 | 左侧围窗玻璃          | Left Side Window Glass                                 |
|   | DZ14251710017 | 右侧围窗玻璃          | Right Side Window Glass                                |
| 导流罩<br>/Deflector                             | DZ14251870011 | 顶导流罩            | Top Deflector  |
|   | DZ14251870026 | 左侧导流板           | Left Deflector   |
|   | DZ14251870027 | 右侧导流板           | Right Deflector  |
|   | DZ14251870259 | 左侧导流板/卧铺加宽      | Left Deflector/Widened Sleeper                         |
|   | DZ14251870260 | 右侧导流板/卧铺加宽      | Right Deflector/Widened Sleeper                        |
|   | DZ14251230011 | 左前翼子板/5驾驶室、4驾驶室 | Left Fender/4, 5 Cab                                   |
| 翼子板<br>/Fender                                | DZ14251230012 | 右前翼子板/5驾驶室、4驾驶室 | Right Fender/4, 5 Cab                                  |
|   | DZ14251230013 | 左前翼子板/6驾驶室      | Left Fender/6 Cab                                      |
|   | DZ14251230014 | 右前翼子板/6驾驶室      | Right Fender/6 Cab                                     |
| 转向灯<br>/Steering Lamp                         | DZ97189721330 | 左侧转向灯           | Left Steering Lamp                                     |
|   | DZ97189721340 | 右侧转向灯           | Right Steering Lamp                                    |

## 上车踏板组件 Footboard Assembly

| 分类/Classify                      | 件号/Part No.   | 主要技术状态         | Main Technical Status               |
|----------------------------------|---------------|----------------|-------------------------------------|
| 上车踏板组件/<br>Footboard<br>Assembly | DZ14251240010 | 驾驶室部分左上车踏板     | Left Boarding Footboard             |
|                                  | DZ14251240020 | 驾驶室部分右上车踏板     | Right Boarding Footboard            |
|                                  | DZ14251240053 | 一级踏板/左/公路车     | First Footboard/Left/Road Vehicle   |
|                                  | DZ14251240054 | 一级踏板/右/公路车     | First Footboard/Right/Road Vehicle  |
|                                  | DZ14251240131 | 一级踏板/工程车/金属保险杠 | First Footboard/Engineering Vehicle |
|                                  | DZ14251240013 | 二级踏板           | Second Footboard                    |
|                                  | DZ14251240014 | 三级踏板           | Third Footboard                     |
|                                  | DZ14251240015 | 大灯维修口盖         | Headlamp Repair Cover               |

驾驶室部分左上车踏板  
Footboard On Cab

三级踏板  
Third Footboard

大灯维修口盖  
Headlamp Repair Cover

二级踏板  
Second Footboard

一级踏板  
First Footboard



## X3000驾驶室前面罩部件Radiator Grille Assembly Of X3000

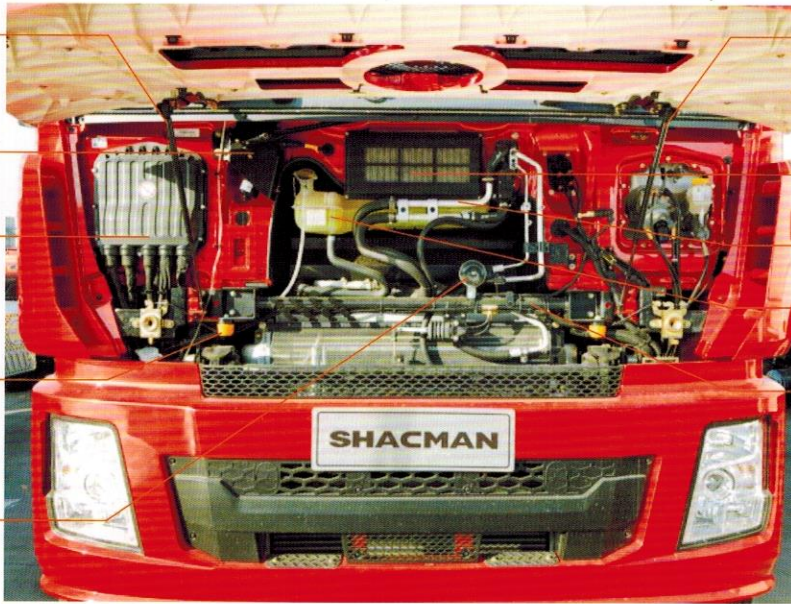
气弹簧  
Air Spring

雨刮电机  
Wiper Motor

前围接线盒  
Junction Box

缓冲块  
Bumper Block

电喇叭  
Klaxon



气弹簧  
Air Spring

空调滤  
Air Filter

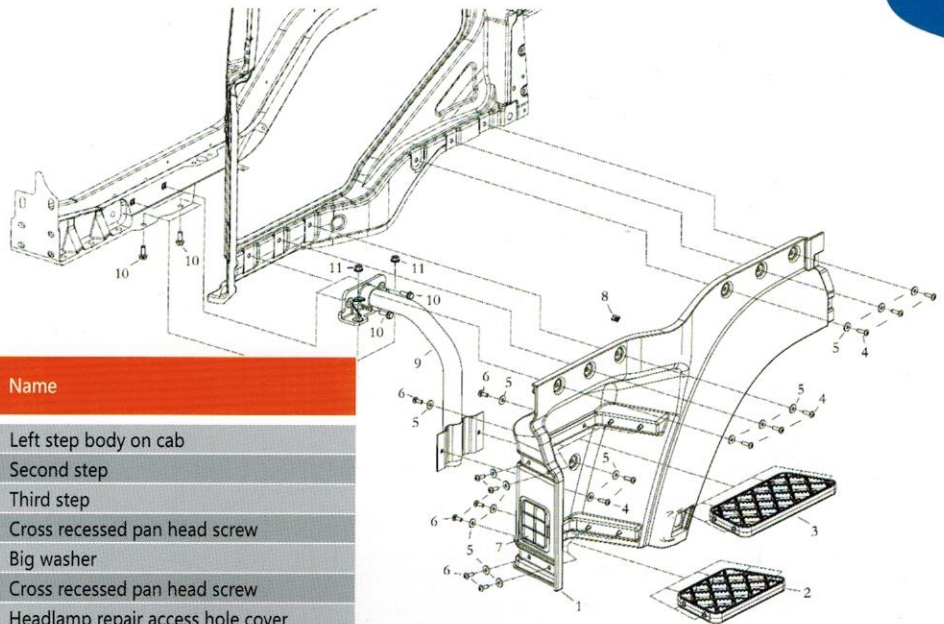
暖风铝管  
Aluminium Heater Pipe

膨胀箱  
Expansion Tank

横梁  
Cross Member

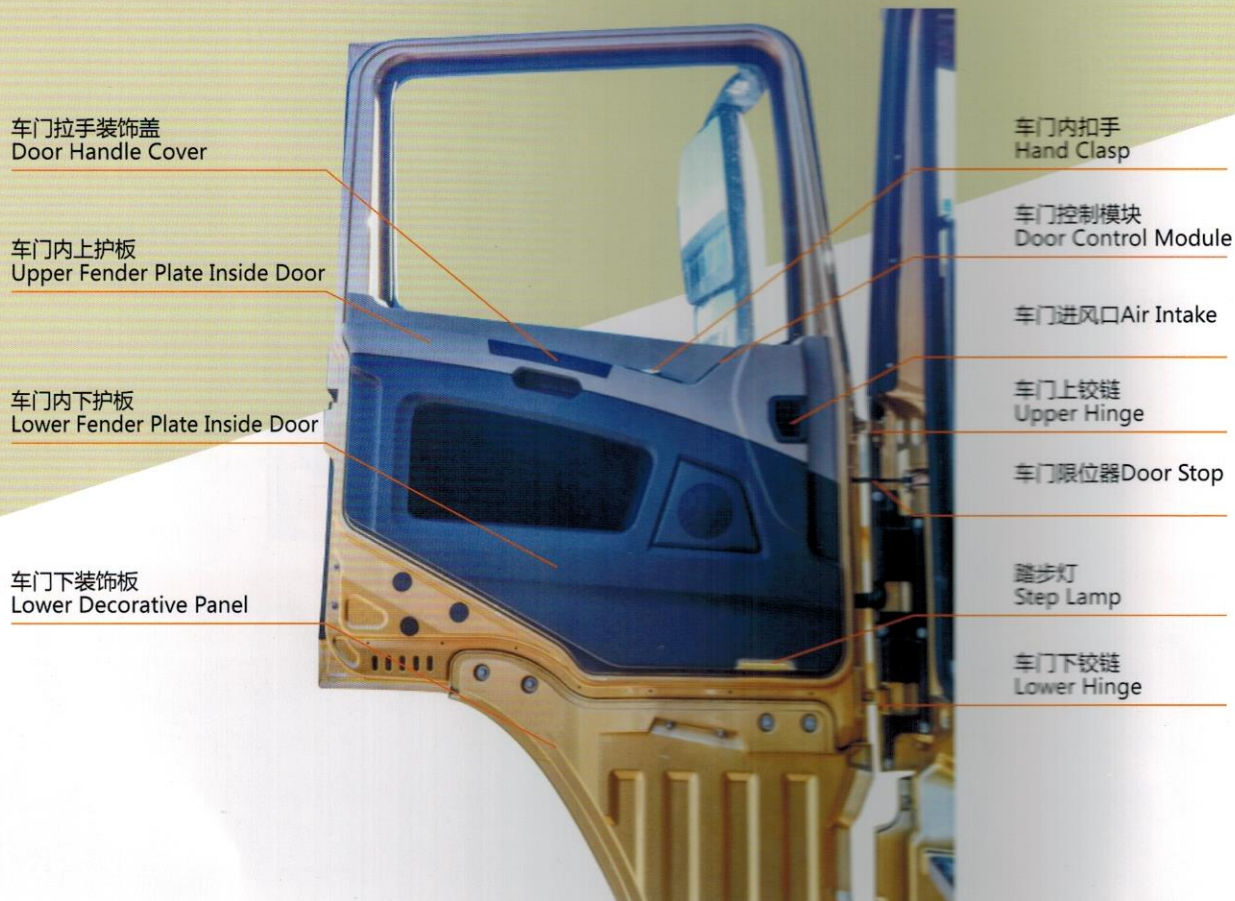
| 分类/Classify                          | 件号/Part No.   | 主要技术状态  | Main Technical Status |
|--------------------------------------|---------------|---------|-----------------------|
| 前围罩附件<br>Radiator Grille<br>Assembly | DZ95189711410 | 电喇叭     | Klaxon                |
|                                      | DZ14251110040 | 气弹簧     | Air Spring            |
|                                      | 81.61910.0011 | 空调滤     | Air Filter            |
|                                      | DZ97189777020 | 前围接线盒   | Junction Box          |
|                                      | DZ14251110030 | 缓冲块     | Bumper Block          |
|                                      | DZ14251740010 | 雨刮电机    | Wiper Motor           |
|                                      | DZ14251741010 | 雨刮电机/右置 | Wiper Motor/RHD       |
|                                      | DZ14251841106 | 暖风铝管    | Heater Pipe           |
|                                      | DZ14251841006 | 暖风铝管    | Heater Pipe           |
|                                      | DZ97259533010 | 膨胀箱     | Expansion Tank        |
|                                      | SZ197000001   | 横梁      | Cross Member          |

## 左上车踏板驾驶室部分 Left boarding steps on cab



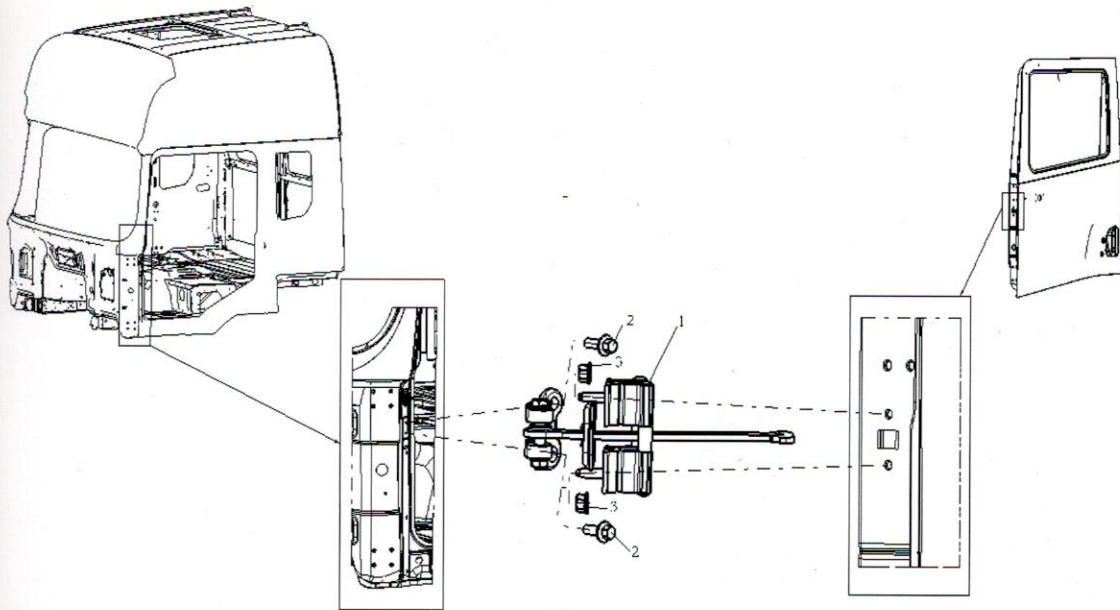
| 序号<br>Item | 件号<br>Part No. | 名称                      | Name                                   |
|------------|----------------|-------------------------|--|
| 1          | DZ14251240011  | 驾驶室部分左踏板本体              | Left step body on cab                  |
| 2          | DZ14251240013  | 二级踏板                    | Second step                            |
| 3          | DZ14251240014  | 三级踏板                    | Third step                             |
| 4          | Q2140825F60    | 十字槽盘头螺钉                 | Cross recessed pan head screw          |
| 5          | Q40208F60      | 大垫圈                     | Big washer                             |
| 6          | Q2140820F60    | 十字槽盘头螺钉                 | Cross recessed pan head screw          |
| 7          | DZ14251240015  | 大灯维修口盖                  | Headlamp repair access hole cover      |
| 8          | 06.13189.0108  | 簧片螺母(ST4.8-5-MAN183-B1) | Reed nut(ST4.8-5-MAN183-B1)            |
| 9          | DZ14251240030  | 驾驶室部分踏板支架焊接总成           | Cab-part step bracket welding assembly |
| 10         | Q1401030T1F3   | 六角头螺栓和平垫圈组合件            | Corner bolt and flat washer assembly   |
| 11         | Q33010         | 全金属六角法兰面锁紧螺母            | All metal hexagon flange locking nut   |

## X3000车门附件 Door Accessory Of X3000



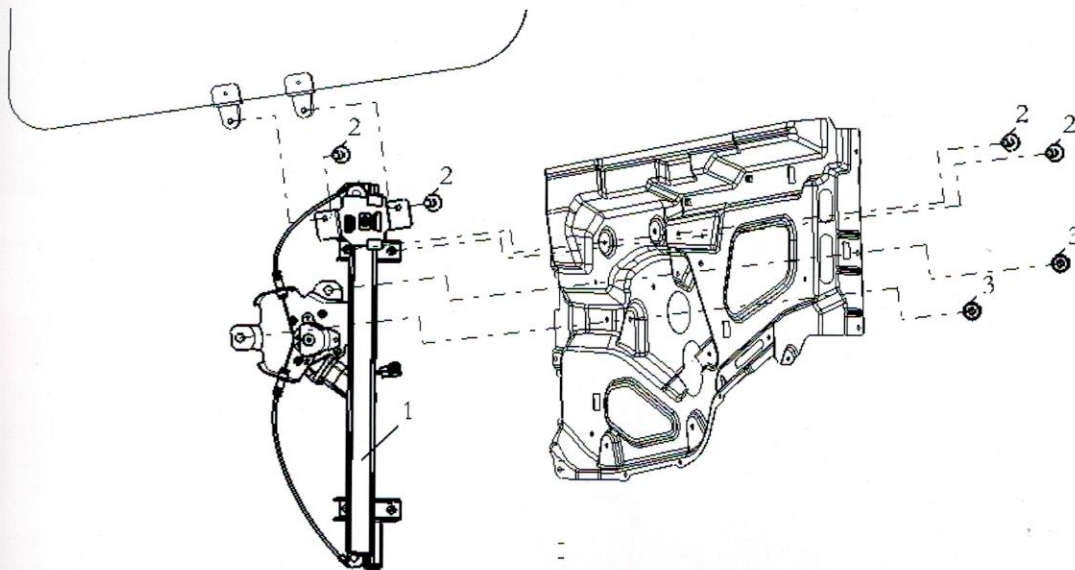
| 分类/Classify             | 件号/Part No.       | 主要技术状态  | Main Technical Status                            |
|-------------------------|-------------------|---|--|
| 车门附件<br>/Door Accessory | DZ14251330091     | 左车门拉手装饰盖  | Left Door Handle Cover                           |
|                         | DZ14251330092     | 右车门拉手装饰盖  | Right Door Handle Cover                          |
|                         | DZ14251330065     | 左车门内上护板   | Upper Fender Plate Inner Left Door               |
|                         | DZ14251330066     | 右车门内上护板   | Upper Fender Plate Inner Right Door              |
|                         | DZ14251330067     | 左车门内下护板   | Lower Fender Plate Inner Left Door               |
|                         | DZ14251330068     | 右车门内下护板   | Lower Fender Plate Inner Right Door              |
|                         | DZ97189721310     | 左踏步灯  | Left Step Lamp                                   |
|                         | DZ97189721320     | 右踏步灯  | Right Step Lamp                                  |
|                         | DZ14251330120     | 左车门限位器  | Left Door Check                                  |
|                         | DZ14251330130     | 右车门限位器  | Right Door Check                                 |
|                         | DZ14251210090     | 左车门上铰链  | Left Door Upper Hinge                            |
|                         | DZ14251210100     | 左车门下铰链  | Left Door Lower Hinge                            |
|                         | DZ14251210110     | 右车门上铰链  | Right Door Upper Hinge                           |
|                         | DZ14251210120     | 右车门下铰链  | Right Door Lower Hinge                           |
|                         | DZ14251330151     | 左车门下装饰板   | Left Door Lower Decorative Panel                 |
|                         | DZ14251330152     | 右车门下装饰板   | Right Door Lower Decorative Panel                |
|                         | DZ14251340016     | 左车门内扣手  | Left Door Hand Clasp                             |
|                         | DZ14251340026     | 右车门内扣手  | Right Door Hand Clasp                            |
|                         | DZ14251330085     | 左车门进风口  | Left Door Air Intake                             |
|                         | DZ14251330086     | 右车门进风口  | Right Door Air Intake                            |
|                         | DZ97189585110     | 左车门控制模块/遥控器   | Left Door Control Module/Remote Controller       |
|                         | DZ97189585120     | 右车门控制模块   | Right Door Control Module                        |
|                         | DZ97189585113     | 主车门控制模块/电动摇窗机   | Main Door Control Module/Electric Window Machine |
| DZ97189585114           | 主车门控制模块/电动摇窗机/中控锁 | Main Door Control Module/Electric Window Machine/Central Lock |  |

## 左车门限位器 Left Door Limit



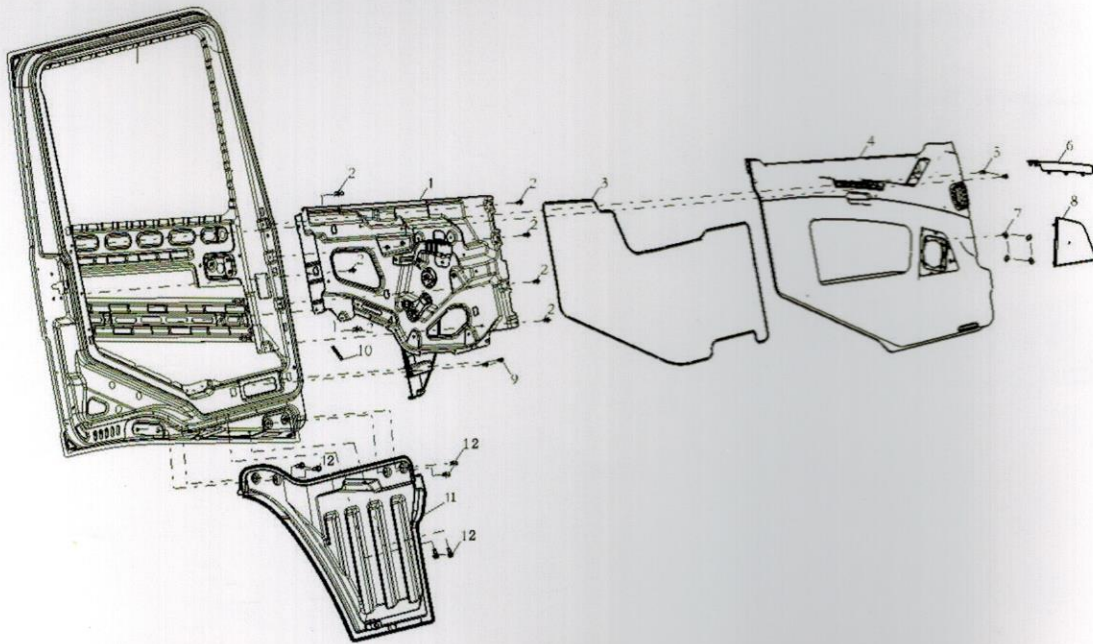
| 序号<br>Item | 件号<br>Part No. | 名称           | Name                                 |
|------------|----------------|--------------|--------------------------------------|
| 1          | DZ14251330120  | 左车门限位器总成     | Left door stop assembly              |
| 2          | Q1840616       | 六角法兰面螺栓      | Hexagon flange bolts                 |
| 3          | Q33006         | 全金属六角法兰面锁紧螺母 | All metal hexagon flange locking nut |

## 左车门玻璃升降器 (绳轮电动) Left Door Window Lifter (electromotion)



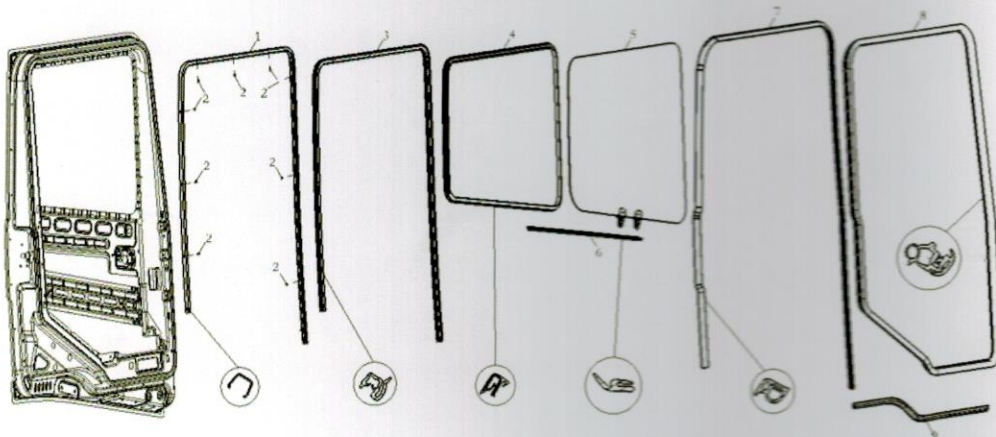
| 序号<br>Item | 件号<br>Part No. | 名称              | Name  |
|------------|----------------|-----------------|---|
| 1          | DZ14251330031  | 左车门玻璃升降器 (绳轮电动) | Left door window lifter (electric rope wheel) |
| 2          | Q1840612       | 六角法兰面螺栓         | Hexagon flange bolts                          |
| 3          | Q33006         | 全金属六角法兰面锁紧螺母    | All metal hexagon flange locking nut          |

## 左车门部件(电动) Door Covering Left (electromotion)



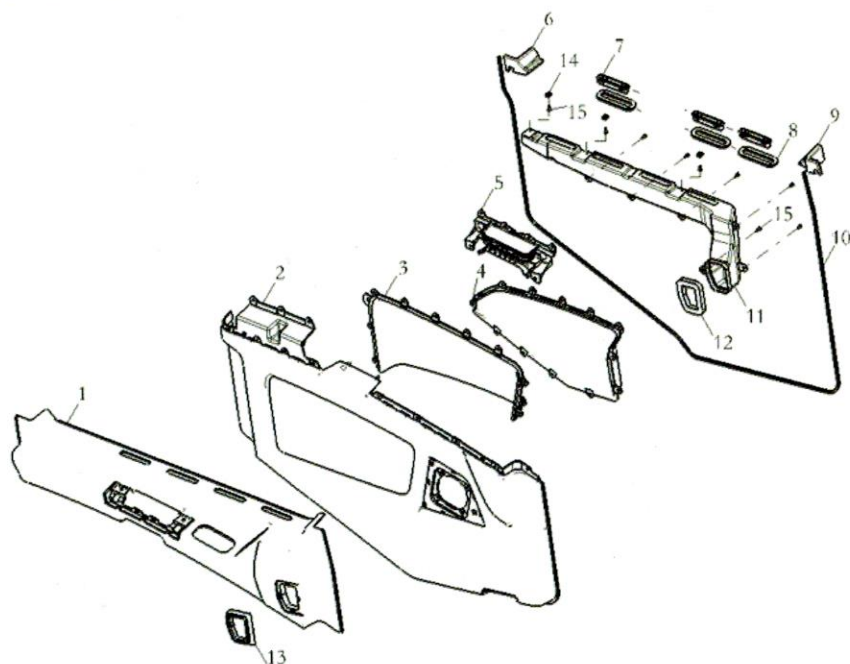
| 序号<br>Item | 件号<br>Part No. | 名称                  | Name   |
|------------|----------------|---------------------|--|
| 1          | DZ14251330001  | 左车门升降器及安装板总成 (绳轮电动) | Left door window lifter and mounting board assembly(Electric rope wheel) |
| 2          | DZ14251330043  | 十字槽盘头螺钉 (带槽) M6×15  | Cross recess head screw M6×15  |
| 3          | Q402B06        | 大垫圈                 | Big washer   |
| 4          | DZ14251330059  | 左车门防水膜              | Left door waterproof membrance   |
| 5          | DZ14251330061  | 左车门内护板总成 (电动)       | Left door inner panel assembly (Electric rope wheel)                     |
| 6          | Q2300616       | 十字槽盘头螺钉和平垫圈组合件      | Cross recess head screw and flat washer assembly                         |
| 7          | DZ14251330091  | 左车门拉手装饰盖            | Left door handrail trim cover  |
| 8          | Q397482001     | 簧片螺母                | Reed nut   |
| 9          | DZ14251330093  | 左车门扬声器面罩            | Left door speaker cover  |
| 10         | Q150B0616      | 六角头螺栓               | Hex Bolt   |
| 11         | Q402B06        | 大垫圈                 | Big Washer   |
| 12         | DZ14251330058  | 车门线束防护胶条            | Door wiring harness protecting rubber strip                              |
| 13         | DZ14251330151  | 左车门下装饰板总成           | Left door lower trim board assembly                                      |
| 14         | Q2140825F60    | 十字槽盘头螺钉             | Cross Recess Head Screw  |
| 15         | Q402B08        | 大垫圈                 | Big Washer   |

## 左车门密封及车门玻璃密封 Left Door Seal And Door Glass Seal



部件清单列表见右页 ▶  
Find spare parts list on the right page

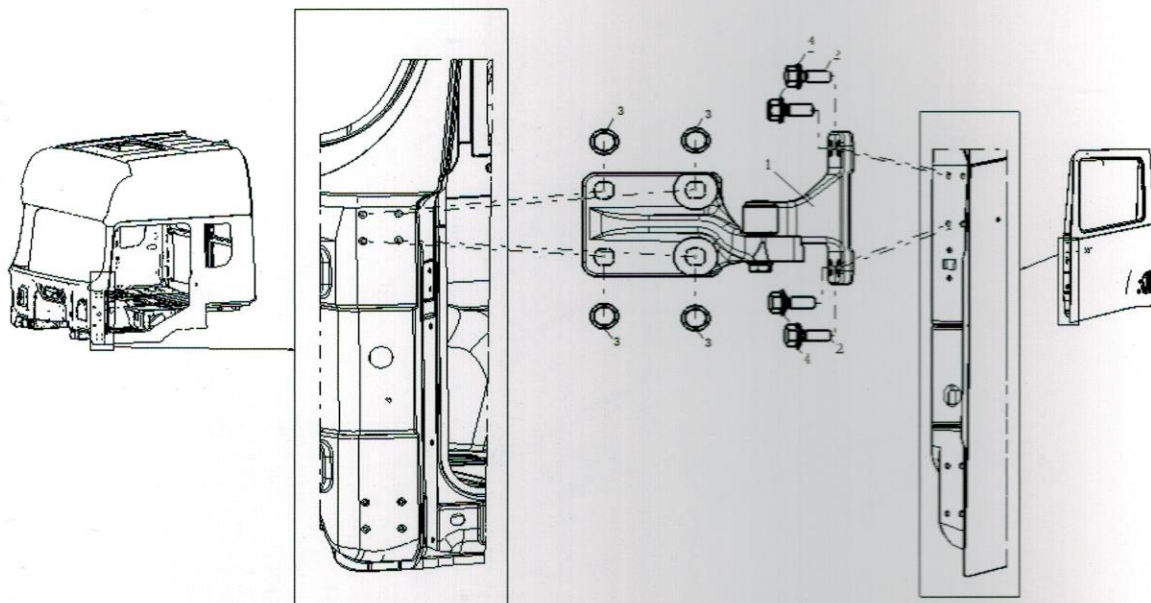
## 左车门护板总成(电动) Left Door Inner Panel Assembly (electromotion)



| 序号<br>Item | 件号<br>Part No. | 名称               | Name   |
|------------|----------------|------------------|--|
| 1          | DZ14251330065  | 左车门内护板上本体        | Left door inner panel upper part                 |
| 2          | DZ14251330067  | 左车门内护板下本体        | Left door inner panel lower part                 |
| 3          | DZ14251330095  | 左车门地图袋上本体(电动)    | Left door map bag upper part (electric)          |
| 4          | DZ14251330069  | 左车门地图袋           | Left door map bag                                |
| 5          | DZ14251330087  | 左车门拉手            | Left door handle                                 |
| 6          | DZ14251330079  | 左车门护板垫块二         | Left door panel block II                         |
| 7          | DZ14251330083  | 车门出风口            | Door air outlet                                  |
| 8          | DZ14251330075  | 左车门出风口密封件        | Left door air outlet seal                        |
| 9          | DZ14251330077  | 左车门护板垫块一         | Left door panel block I                          |
| 10         | DZ14251330081  | 左车门护板密封条         | Left door panel seal                             |
| 11         | DZ14251330071  | 左车门风道            | Left door air duct                               |
| 12         | DZ14251330073  | 左车门进风口密封件        | Left door air inlet seal                         |
| 13         | DZ14251330085  | 左车门进风口           | Left door air inlet                              |
| 14         | Q39748201      | A型簧片螺母           | Reed nut type A                                  |
| 15         | Q2204213       | 十字槽盘头自攻螺钉和平垫圈组合件 | Cross recess head screw and flat washer assembly |

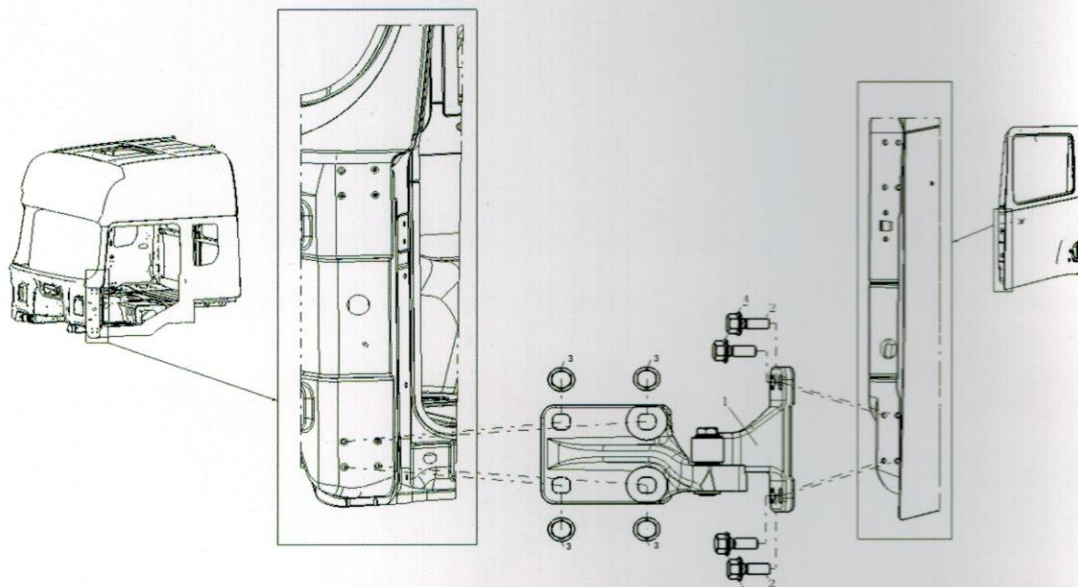
| 序号<br>Item | 件号<br>Part No. | 名称          | Name                                 |
|------------|----------------|-------------|--------------------------------------|
| 1          | DZ14251330019  | 左车门玻璃导轨     | Left door guide rail                 |
| 2          | Q2713513       | 十字槽盘头自攻螺钉   | Self-tapping countersunk screw       |
| 3          | DZ14251330027  | 左车门玻璃泥槽     | Left door glass groove               |
| 4          | DZ14251330123  | 左车门外水切      | Left door outer weatherstrip         |
| 5          | DZ14251330009  | 左车门玻璃总成(绳轮) | Left door glass Assembly(rope wheel) |
| 6          | DZ14251330121  | 车门内水切       | Left door inner weatherstrip         |
| 7          | DZ14251330133  | 左车门二道密封条总成  | Left door second seal strip assembly |
| 8          | DZ14251330145  | 车门框密封条      | Doorcase seal                        |
| 9          | DZ14251330923  | 车门内板凹槽装饰条   | Door inner panel groove trim strip   |

左车门上铰链总成 Door Hinge Left



| 序号<br>Item | 件号<br>Part No. | 名称             | Name  |
|------------|----------------|----------------|---|
| 1          | DZ14251210090  | 左车门上铰链总成       | Left door upper hinge assembly              |
| 2          | Q1860825TF6    | 六角法兰面螺栓 - 加大系列 | Hexagon flange face bolts - enlarged series |
| 3          | Q402B08        | 大垫圈            | Big washer                                  |
| 4          | Q40308         | 弹簧垫圈           | Spring washer                               |

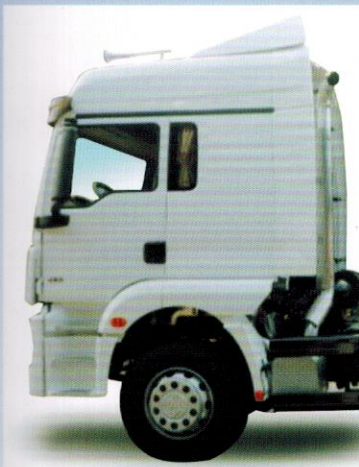
左车门下铰链总成 Door Hinge Left



| 序号<br>Item | 件号<br>Part No. | 名称             | Name  |
|------------|----------------|----------------|---|
| 1          | DZ14251210100  | 左车门下铰链总成       | Left door lower hinge assembly              |
| 2          | Q1860825TF6    | 六角法兰面螺栓 - 加大系列 | Hexagon flange face bolts - enlarged series |
| 3          | Q402B08        | 大垫圈            | Big washer                                  |
| 4          | Q40308         | 弹簧垫圈           | Spring washer                               |



## H3000/M3000驾驶室 CAB



G/加长高顶驾驶室  
Lengthened High Roof

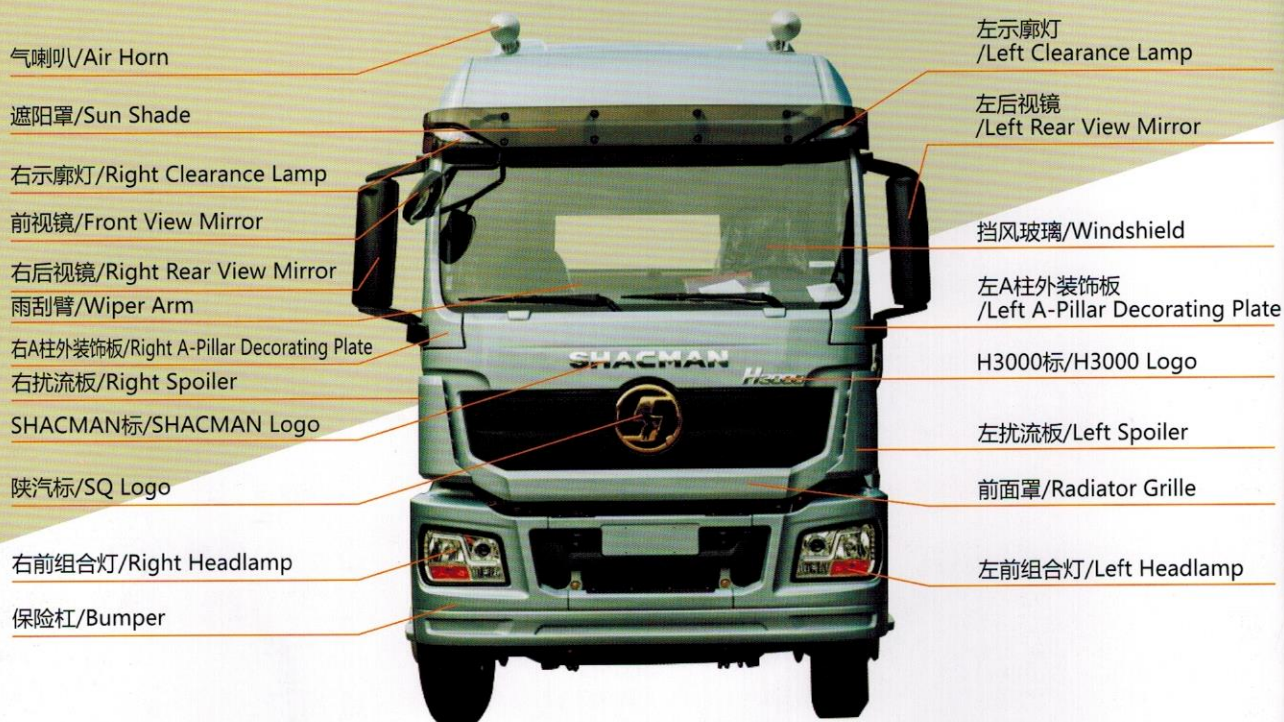


H/加长半高顶驾驶室  
Lengthened Semi-High Roof

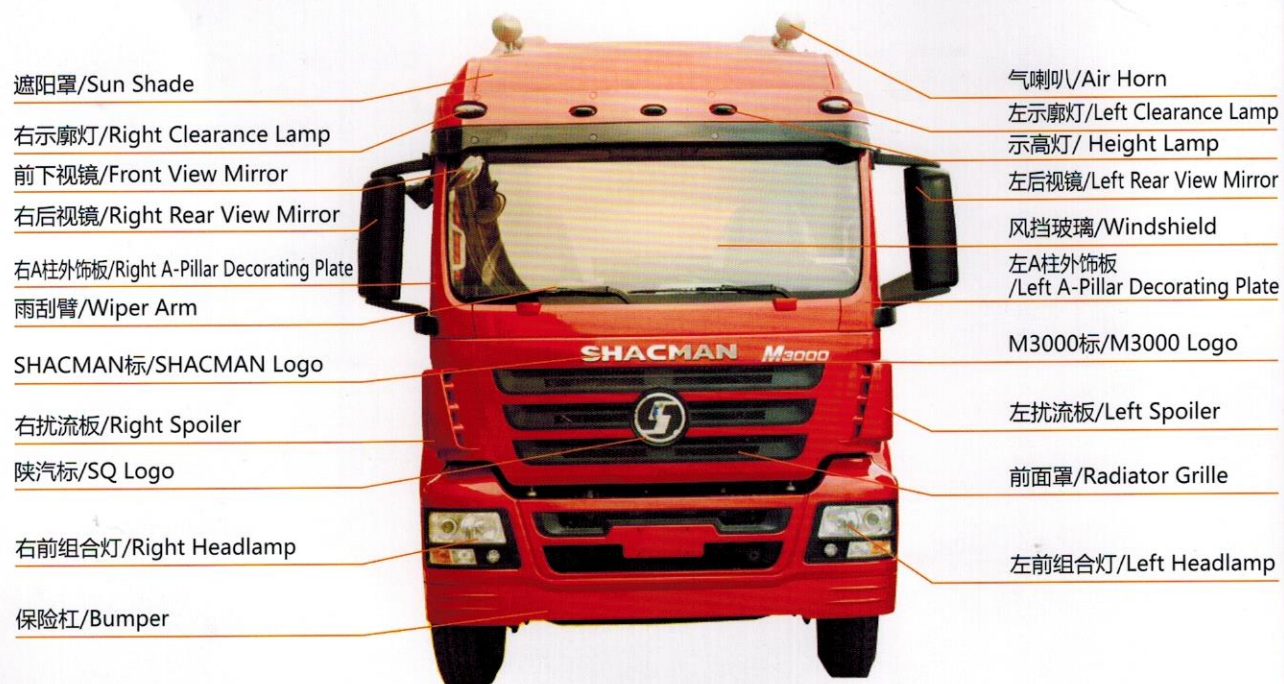


M/标准驾驶室  
Standard

## H3000驾驶室前部部件 Front Parts Of H3000 Cab

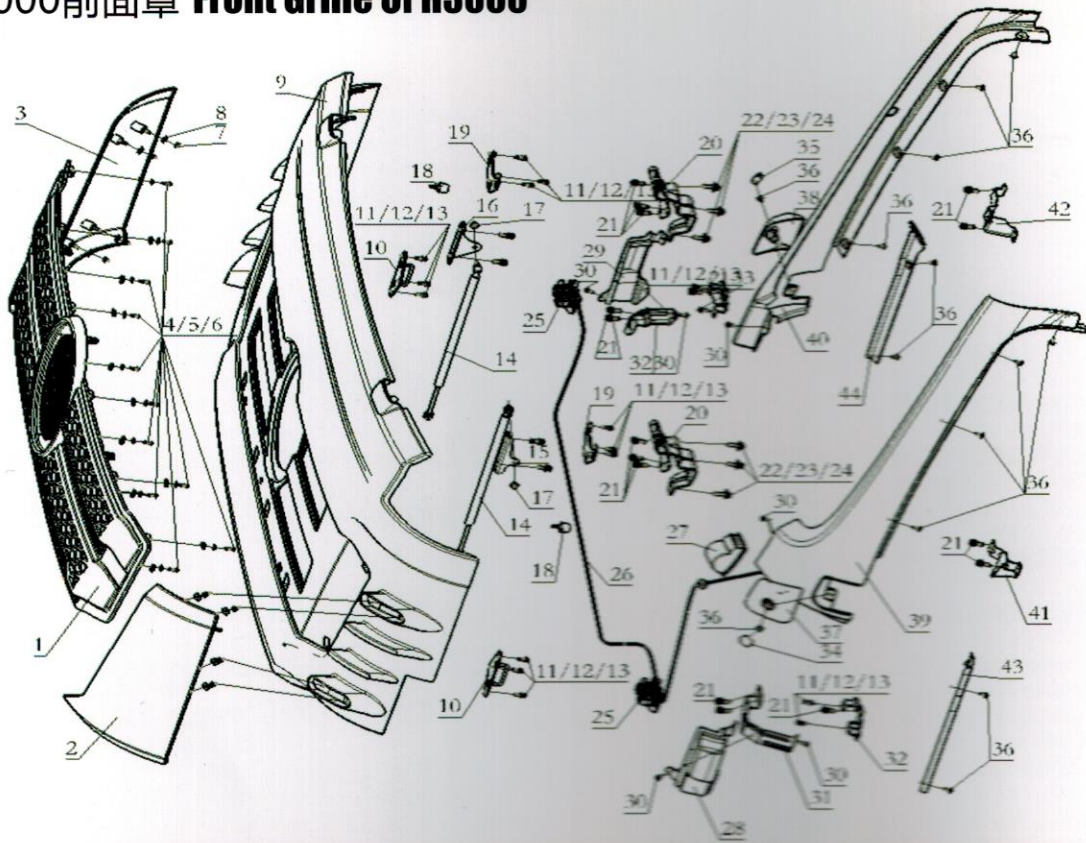


## M3000驾驶室前部部件 Front Parts Of M3000 Cab



| 分类/Classify               | 件号/Part No.        | 主要技术状态                 | Main Technical Status                                       | 匹配车型         |
|---------------------------|--------------------|------------------------|---|--------------|
| 保险杠/Bumper                | DZ96259622220      | 保险杠公路车                 | Bumper/Road Vehicle   | M3000        |
|                           | DZ96259622530      | 保险杠/用于安装灯护网            | Bumper/For Headlamp Protective Grille                       | M3000        |
|                           | DZ96259622500      | 保险杠工程车                 | Bumper/Engineering Vehicle                                  | M3000        |
|                           | DZ96189622010      | 保险杠/工程车                | Bumper/Engineering Vehicle                                  | H3000        |
|                           | DZ96189622257      | 保险杠/工程车/带灯护网           | Bumper/Engineering Vehicle/With Headlamp Protective Grille  | H3000        |
|                           | DZ96189622000      | 保险杠/公路车                | Bumper/Road Vehicle   | H3000        |
| 后视镜<br>Rear View Mirror   | DZ15221770830      | 左后视镜/左置/杆式/海湾七国        | Left Rear View Mirror/LHD/Stick/For GCC Certification       | 通用/Universal |
|                           | DZ15221770840      | 右后视镜/左置/杆式/海湾七国        | Right Rear View Mirror/LHD/Stick/For GCC Certification      | 通用/Universal |
|                           | DZ15221770910      | 左后视镜/左置/杆式             | Left Rear View Mirror/LHD/Stick                             | 通用/Universal |
|                           | DZ15221770920      | 右后视镜/左置/杆式             | Right Rear View Mirror/LHD/Stick                            | 通用/Universal |
|                           | DZ15221771910      | 左后视镜/右置/杆式             | Left Rear View Mirror/RHD/Stick                             | 通用/Universal |
|                           | DZ15221771920      | 右后视镜/右置/杆式             | Right Rear View Mirror/RHD/Stick                            | 通用/Universal |
|                           | DZ15221770970      | 左后视镜/左置/杆式/电动电加热       | Left Rear View Mirror/LHD/Stick/Electrical Adjust And Heat  | 通用/Universal |
|                           | DZ15221770980      | 右后视镜/左置/杆式/电动电加热       | Right Rear View Mirror/LHD/Stick/Electrical Adjust And Heat | 通用/Universal |
|                           | DZ15221771030      | 左外后视镜/右置               | Left Rear View Mirror/RHD                                   | 通用/Universal |
|                           | DZ15221771040      | 右外后视镜/右置               | Right Rear View Mirror/RHD                                  | 通用/Universal |
|                           | DZ15221770130      | 左外后视镜/左置/E-mark        | Left Rear View Mirror/LHD/E-mark                            | 通用/Universal |
|                           | DZ15221770140      | 右外后视镜/左置/E-mark        | Right Rear View Mirror/LHD/E-mark                           | 通用/Universal |
| 前视镜<br>Front View Mirror  | DZ15221770070      | 前下视镜/左置                | Front View Mirror/LHD                                       | 通用/Universal |
|                           | DZ15221771090      | 前下视镜/右置                | Front View Mirror/RHD                                       | 通用/Universal |
|                           | DZ15221770860      | 前下视镜/海湾七国              | Front View Mirror/For GCC Certification                     | 通用/Universal |
| 遮阳罩/Sun Shade             | DZ15221880110      | 遮阳罩                    | Sun Shade   | M3000        |
|                           | DZ15221880140      | 遮阳罩/四灯右置               | Sun Shade/Four Lamp RHD                                     | M3000        |
|                           | DZ15221880161      | 遮阳罩                    | Sun Shade   | H3000        |
| 示廓灯/<br>Clearance Lamp    | DZ97189721210      | 左示廓灯                   | Left Clearance Lamp   | H3000        |
|                           | DZ97189721220      | 右示廓灯                   | Right Clearance Lamp  | H3000        |
|                           | DZ93189723210      | 前示廓灯                   | Front Clearance Lamp  | M3000        |
|                           | DZ93189721220      | 前示廓灯(黄色)               | Front Clearance Lamp/Yellow                                 | M3000        |
| 示高灯/<br>Height Lamp       | 81.25260.6057      | 示高灯                    | Height Lamp   | M3000        |
|                           | DZ93189723230      | 示高灯                    | Height Lamp   | M3000        |
|                           | DZ93189723231      | 示高灯(黄色)                | Height Lamp/Yellow  | M3000        |
| 前大灯/<br>Headlamp          | DZ93189723050      | 左前照灯/电动调光              | Left Headlamp/Adjustable Headlamp Height                    | M3000        |
|                           | DZ93189723060      | 右前照灯/电动调光              | Right Headlamp/DRL/Adjustable Headlamp Height               | M3000        |
|                           | DZ95189724050      | 左前照灯/电动调光/右置           | Left Headlamp/Adjustable Headlamp Height/RHD                | M3000        |
|                           | DZ95189724060      | 右前照灯/电动调光/右置           | Right Headlamp/DRL/Adjustable Headlamp Height/RHD           | M3000        |
|                           | DZ96189722010      | 左前照灯 ( DRL )           | Left Headlamp/DRL   | H3000        |
|                           | DZ96189722020      | 右前照灯 ( DRL )           | Right Headlamp/DRL  | H3000        |
|                           | DZ96189722030      | 左前照灯 ( DRL/R ) /右置     | Left Headlamp/DRL/RHD                                       | H3000        |
| DZ96189722040             | 右前照灯 ( DRL/R ) /右置 | Right Headlamp/DRL/RHD | H3000   |              |
| 刮水器<br>Wiper Arm          | DZ15221740014      | 刮臂                     | Wiper Arm   | 通用/Universal |
|                           | DZ15221741010      | 刮臂/右置                  | Wiper Arm/RHD   | 通用/Universal |
| SQ标/SQ Logo               | DZ14251950001      | 陕汽标志牌                  | SQ Logo   | 通用/Universal |
|                           | DZ14251950080      | 陕汽标志牌/金色               | SQ Logo/Golden  | 通用/Universal |
| H3000标/H3000 Logo         | DZ14251950003      | H3000标牌                | H3000 Logo  | H3000        |
|                           | DZ13221930002      | M3000标牌                | M3000 Logo  | M3000        |
| SHACMAN标/Logo             | DZ13241930232      | SHACMAN标牌              | SHACMAN Logo  | 通用/Universal |
| A柱外饰板<br>Decorating Plate | DZ15221110071      | 左A柱外饰板                 | Left A-Pillar Decorating Plate                              | M3000        |
|                           | DZ15221110072      | 右A柱外饰板(带豁口)            | Right A-Pillar Decorating Plate/With Gap                    | M3000        |
|                           | DZ15221114071      | 左A柱外饰板/左置              | Left A-Pillar Decorating Plate/LHD                          | H3000        |
|                           | DZ15221114072      | 右A柱外饰板(带豁口)/左置         | Right A-Pillar Decorating Plate/With Gap/LHD                | H3000        |
|                           | DZ15221114081      | 左A柱外饰板(带豁口)/右置         | Left A-Pillar Decorating Plate/With Gap/RHD                 | H3000        |
|                           | DZ15221114082      | 右A柱外饰板/右置              | Right A-Pillar Decorating Plate/RHD                         | H3000        |
| 挡风玻璃<br>Windshield        | DZ15221710010      | 前车窗玻璃                  | Front Windshield  | 通用/Universal |
|                           | DZ15221710020      | 前车窗玻璃/带印制天线            | Front Windshield/With Printed Antenna                       | 通用/Universal |
| 散热器<br>Radiator Grille    | DZ15221110130      | 前面罩                    | Front Radiator Grille                                       | M3000        |
|                           | DZ15221111130      | 前面罩/右置                 | Front Radiator Grille/RHD                                   | M3000        |
|                           | DZ15221114150      | 前面罩                    | Front Radiator Grille                                       | H3000        |
| 扰流板<br>Spoiler            | DZ15221110020      | 左扰流板                   | Left Spoiler  | M3000        |
|                           | DZ15221110030      | 右扰流板                   | Right Spoiler   | M3000        |
|                           | DZ15221114021      | 左扰流板                   | Left Spoiler  | H3000        |
|                           | DZ15221114022      | 右扰流板                   | Right Spoiler   | H3000        |
| 喇叭/Air Horn               | DZ96189270001      | 气喇叭                    | Air Horn  | 通用/Universal |

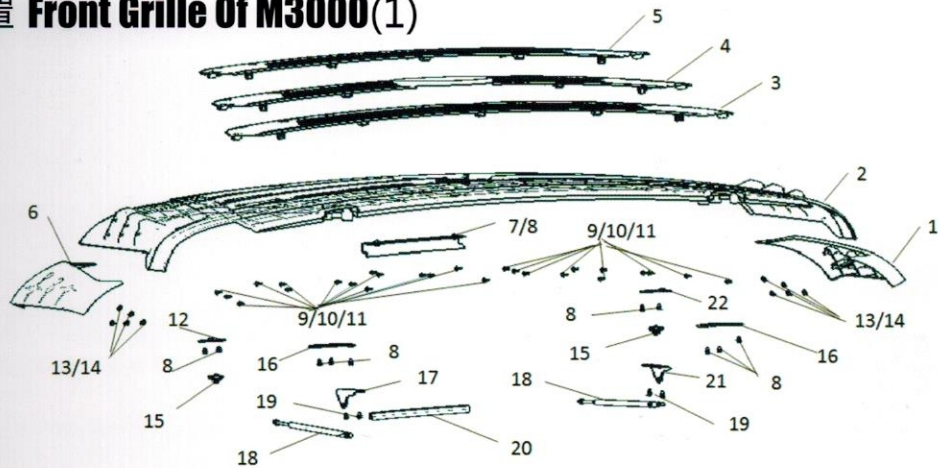
# H3000前面罩 Front Grille Of H3000



| 序号<br>Item | 件号<br>Part No. | 名称                | Name  |
|------------|----------------|-------------------|---|
| 1          | DZ15221114016  | 格栅                | grille  |
| 2          | DZ15221114021  | 左扰流板总成            | Left spoiler assembly   |
| 3          | DZ15221114022  | 右扰流板总成            | Right spoiler assembly  |
| 4          | Q2714819       | 十字槽盘头自攻螺钉         | Cross recessed pan head self tapping screw                    |
| 5          | Q402B05        | 大垫圈               | Big washer  |
| 6          | 06.13189.0099  | 簧片螺母              | Reed nut  |
| 7          | Q340B06T13F3   | 1型六角螺母            | Type 1 hexagon nut  |
| 8          | Q402B06        | 大垫圈               | Big washer  |
| 9          | DZ15221114025  | 前面罩               | Front grille  |
| 10         | DZ15221114116  | 前面罩锁环总成           | Front grille lock ring assembly                               |
| 11         | Q150B0620      | 六角头螺栓             | Hexagon head bolt   |
| 12         | Q401B06        | 平垫圈               | Flat washer   |
| 13         | Q40306         | 弹簧垫圈              | Spring washer   |
| 14         | DZ15221112040  | 气弹簧总成             | Gas spring assembly   |
| 15         | DZ15221110021  | 前面罩气弹簧左支架         | Front grille air spring left bracket                          |
| 16         | DZ15221110022  | 前面罩气弹簧右支架         | Front grille air spring right bracket                         |
| 17         | Q33008         | 全金属六角法兰面锁紧螺母      | All metal hexagon flange locking nut                          |
| 18         | DZ15221114040  | 缓冲块总成             | Buffer block assembly   |
| 19         | DZ15221110120  | 前面罩铰链过渡板          | Front grille hinge transition plate                           |
| 20         | Dz15221110110  | 前面罩铰链总成           | Front grille hinge assembly                                   |
| 21         | Q1460825       | 六角头螺栓、弹簧垫圈和平垫圈组合件 | Hexagon head bolts, spring washer and flat washer combination |
| 22         | Q150B0830T1F3  | 六角头螺栓             | Hexagon head bolt   |
| 23         | Q40308         | 弹簧垫圈              | Spring washer   |
| 24         | Q402B08        | 大垫圈               | Big washer  |
| 25         | DZ15221114130  | 前面罩锁座总成           | Front grille lock seat assembly                               |
| 26         | DZ15221114120  | 面罩锁拉丝总成           | Front grille lock wire drawing assembly                       |
| 27         | DZ15221110120  | 面罩锁扣手             | Grille locking hands  |
| 28         | DZ15221114077  | 左车门下铰链装饰板         | left door lower hinge trim plate                              |
| 29         | DZ15221114078  | 右车门下铰链装饰板         | Right door lower hinge trim plate                             |

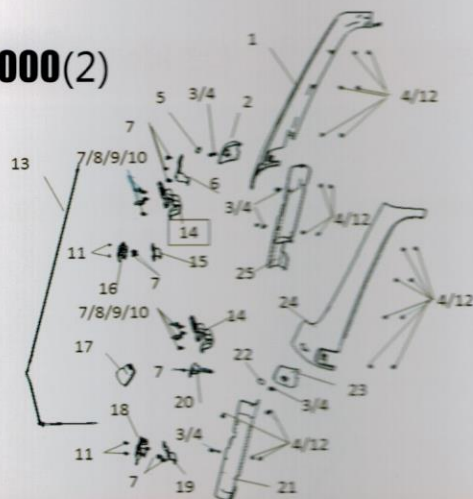
| 序号<br>Item | 件号<br>Part No. | 名称               | Name   |
|------------|----------------|------------------|--|
| 30         | Q2300616       | 十字槽盘头螺钉和平垫圈组合件   | Cross recessed pan head screw and flat washer assembly                     |
| 31         | DZ15221112065  | 左车门下铰链装饰板安装支架总成  | Left door lower hinge trim plate mounting bracket assembly                 |
| 32         | DZ15221112066  | 右车门下铰链装饰板安装支架总成  | Right door lower hinge trim plate mounting bracket assembly                |
| 33         | DZ15221114111  | 前面罩左锁座安装支架总成     | Front grille left lock seat mounting bracket assembly                      |
| 34         | DZ15221114112  | 前面罩右锁座安装支架总成     | Front grille right lock seat mounting bracket assembly                     |
| 35         | DZ15221110076  | 左侧围上铰链装饰板堵盖      | Left side panel upper hinge decorative plate blanking cap                  |
| 36         | DZ15221110086  | 右侧围上铰链装饰板堵盖      | Right side panel upper hinge decorative plate blanking cap                 |
| 37         | DZ15221114075  | 左侧围上铰链装饰板        | Left side panel upper hinge decorative plate                               |
| 38         | DZ15221114085  | 右侧围上铰链装饰板        | Right side panel upper hinge decorative plate                              |
| 39         | DZ15221114071  | 左A柱外饰板           | Left A-pillar exterior trim  |
| 40         | DZ15221114072  | 右A柱外饰板(带豁口)      | Right A-pillar exterior trim (with gap)                                    |
| 41         | DZ15221112074  | 左A柱外饰板安装支架总成     | Left A-pillar trim plate mounting bracket assembly                         |
| 42         | DZ15221112084  | 右A柱外饰板安装支架总成     | Right A-pillar trim plate mounting bracket assembly                        |
| 43         | DZ15221112078  | 左A柱下装饰板          | Left A-pillar lower decorative plate                                       |
| 44         | DZ15221112088  | 右A柱下装饰板          | Right A-pillar lower decorative plate                                      |
| 45         | Q2214816       | 十字槽盘头自攻螺钉和大垫圈组合件 | Cross - recessed pan head self - tapping screw and large washer assemblies |

## M3000前面罩 Front Grille Of M3000(1)



| 序号<br>Item | 件号<br>Part No. | 名称                    | Name   |
|------------|----------------|-----------------------|--|
| 1          | DZ15221110030  | 右扰流板总成                | Right side spoiler assembly  |
| 2          | DZ15221110015  | 前面罩(DZ22405320011)    | Front grille (DZ22405320011)   |
| 3          | DZ15221110016  | 上格栅(DZ22405320012)    | Upper grille (DZ22405320012)   |
| 4          | DZ15221110017  | 中格栅(DZ22405320013)    | Medium grille(DZ22405320013)   |
| 5          | DZ15221110018  | 下格栅(DZ22405320014)    | Lower grille (DZ22405320014)   |
| 6          | DZ15221110020  | 左扰流板总成                | Left side spoiler assembly   |
| 7          | DZ15221110019  | 导水槽(HP22405320020)    | Water chute (HP22405320020)  |
| 8          | Q1460616       | 六角头螺栓、弹簧垫圈和平垫圈组合件     | Hexagon head bolts, spring washer and flat washer assemblies         |
| 9          | Q39748162      | A型簧片螺母                | Type A reed nut  |
| 10         | Q2214816       | 十字槽大圆头自攻螺钉            | Cross recessed large semicircular head tapping screw                 |
| 11         | Q40205         | 大垫圈                   | Big washer   |
| 12         | DZ15221110055  | 前面罩锁芯左安装支架总成(6098R)   | Left mounting bracket assembly for front grille locking core (6098R) |
| 13         | Q340806        | I型六角头螺母               | Type I hexagonal nut   |
| 14         | Q40206         | 大垫圈                   | Big washer   |
| 15         | DZ15221110054  | 前面罩锁芯                 | Front grille locking core  |
| 16         | DZ15221110052  | 前面罩铰链过渡板总成            | Front grille hinge transition plate assembly                         |
| 17         | DZ15221110021  | 前面罩气弹簧左支架             | Front grille air spring left bracket                                 |
| 18         | DZ15221110040  | 气弹簧总成(53M-03025)      | Gas spring assembly (53M-03025)                                      |
| 19         | Q1460820       | 六角头螺栓、弹簧垫圈和平垫圈组合件     | Hexagon head bolts, spring washer and flat washer assemblies         |
| 20         | DZ15221110023  | 导水槽密封条(HP22405320021) | Water chute sealing strip (HP22405320021)                            |
| 21         | DZ15221110022  | 前面罩气弹簧右支架             | Front grille air spring right bracket                                |
| 22         | DZ15221110065  | 前面罩锁芯右安装支架总成(6098L)   | Front grille lock core right mounting bracket assembly (6098L)       |

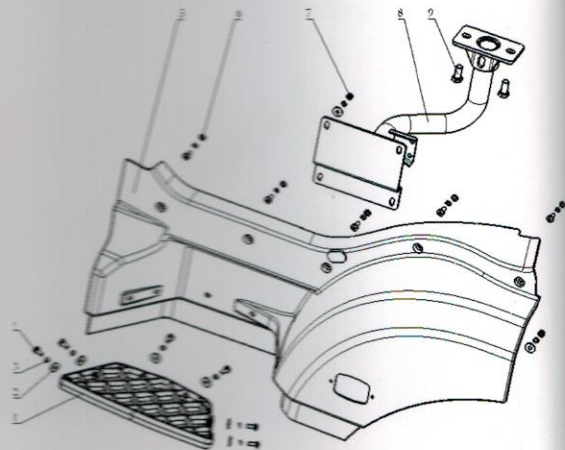
## M3000前面罩 Front Grille Of M3000(2)



| 序号<br>Item | 件号<br>Part No. | 名称                       | Name  |
|------------|----------------|--------------------------|---|
| 1          | DZ15221110081  | 右A柱外饰板(HP22405410081)    | Right A column exterior panel(HP22405410081)              |
| 2          | DZ15221110085  | 右侧围上铰链装饰板(HP22405410085) | Right side upper hinge trim panel(HP22405410085)          |
| 3          | Q39748162      | A型簧片螺母                   | Type A spring nut   |
| 4          | Q2214816       | 十字槽盘头自攻钉和大垫圈组合件          | Self tapping screw and washer combination                 |
| 5          | DZ15221110086  | 右侧围上铰链装饰板堵盖              | Right side hinge trim panel cover                         |
| 6          | DZ15221110083  | 右A柱外饰板安装支架               | Right A column exterior panel mounting bracket            |
| 7          | Q1460820       | 六角头螺栓、弹簧垫圈和平垫圈组合件        | Hexagon nut and spring and flat washer combination        |
| 8          | Q40308         | 弹簧垫圈                     | Spring washer   |
| 9          | Q40208         | 大垫圈                      | Big washer  |
| 10         | Q150B0830      | 六角头螺栓                    | Hexagon bolt  |
| 11         | Q1460616       | 六角头螺栓、弹簧垫圈和平垫圈组合件        | Hexagon bolt, spring washer and flat washer combination   |
| 12         | Q398B04        | A型通孔式嵌装塑料螺母              | Type A through hole inserted plastic nut                  |
| 13         | DZ15221110100  | 锁拉丝总成                    | Lock wiredrawing assy                                     |
| 14         | DZ15221110110  | 前面罩铰链总成                  | Front grille hinge assy                                   |
| 15         | DZ15221110062  | 前面罩右锁座安装支架总成(6098R)      | Front grille right lock base mounting bracket (6098R)     |
| 16         | DZ15221110090  | 前面罩右锁座总成(R)              | Front grille right lock base assy®                        |
| 17         | DZ15221111090  | 前面罩右锁座总成                 | Front grille right lock base assy                         |
| 18         | DZ15221110120  | 面罩锁扣手(HP22405320060)     | Front grille lock buckle (HP22405320060)                  |
| 19         | DZ15221110080  | 前面罩左锁座总成(L)              | Front grille left lock base assy(L)                       |
| 20         | DZ15221111080  | 前面罩左锁座总成                 | Front grille left lock base assy                          |
| 21         | DZ15221110061  | 前面罩左锁座安装支架总成(6098L)      | Front grille right lock base mounting bracket assy(6098L) |
| 22         | DZ15221110073  | 左A柱外饰板安装支架               | Left A column exterior panel mounting bracket             |
| 23         | DZ15221110077  | 左车门下铰链装饰板(HP22405410111) | Left door lower hinge trim panel(HP22405410111)           |
| 24         | DZ15221110076  | 左侧围上铰链装饰板堵盖              | Left side hinge trim panel cover                          |
| 25         | DZ15221110075  | 左侧围上铰链装饰板(HP22405410075) | Left side hinge trim panel(HP22405410075)                 |
| 26         | DZ15221110071  | 左A柱外饰板(HP22405410071)    | Right A column exterior panel(HP22405410071)              |
| 27         | Dz15221110087  | 右车门下铰链装饰板(HP22405410121) | Right door lower hinge trim panel(HP22405410121)          |

## H3000/M3000左车门上铰链总成 Left Door Hinge Of H3000/M3000

| 序号<br>Item | 件号<br>Part No. | 名称       | Name                             |
|------------|----------------|----------|----------------------------------|
| 1          | DZ15221242469  | 上台阶      | Upper step                       |
| 2          | Q402B08        | 大垫圈(镀锌)  | Big washer (galvanized)          |
| 3          | Q40308         | 弹簧垫圈     | Spring washer                    |
| 4          | Q2140820       | 十字槽盘头螺钉  | Cross recessed pan head screw    |
| 5          | DZ15221242501  | 左上门台阶    | Left upper doorstep              |
| 6          | Q40008         | 小垫圈(镀锌)  | Small washer (galvanized)        |
| 7          | Q340B08T2F3    | 1型六角螺母   | Type 1 hexagon nut               |
| 8          | DZ15221240210  | 左上踏板支架总成 | Left upper step bracket assembly |
| 9          | Q151B1430T1F3  | 六角头螺栓-细牙 | Hexagon head bolt - fine teeth   |



## H3000/M3000驾驶室侧部部件 Side Parts Of H3000/M3000 Cab



| 名称/Classify               | 件号/Part No.   | 主要技术状态          | Main Technical Status  | 匹配车型         |
|---------------------------|---------------|-----------------|--|--------------|
| 车门把手<br>Door Handle       | DZ15221340015 | 左车门外开把手         | Left Door Handle   | 通用/Universal |
|                           | DZ15221340025 | 右车门外开把手         | Right Door Handle  | 通用/Universal |
| 后视镜<br>Blind-Spot Mirror  | DZ15221771050 | 补盲镜/E-mark      | Passenger Door Blind-Spot Mirror/E-mark                          | 通用/Universal |
| 车门玻璃<br>Door Glass        | DZ15221330059 | 左车门玻璃           | Left Door Glass  | 通用/Universal |
|                           | DZ15221330069 | 右车门玻璃           | Right Door Glass   | 通用/Universal |
| 侧窗玻璃<br>Side Window Glass | DZ15221710021 | 左后侧窗玻璃          | Left Side Window Glass   | 通用/Universal |
|                           | DZ15221710031 | 右后侧窗玻璃          | Right Side Window Glass  | 通用/Universal |
| 导流罩<br>Deflector          | DZ15221870081 | 顶导流罩            | Top Deflector  | 通用/Universal |
|                           | DZ15221870082 | 左侧导流罩           | Left Deflector   | 通用/Universal |
|                           | DZ15221870083 | 右侧导流罩           | Right Deflector  | 通用/Universal |
| 翼子板<br>Fender             | DZ15221870103 | 导流罩本体/M、H驾驶室顶部装 | Right Deflector/For M、H Cab                                      | 通用/Universal |
|                           | DZ15221230147 | 左前翼子板/M/H3000   | Left Front Fender/M Cab/H3000                                    | H3000        |
|                           | DZ15221230148 | 右前翼子板/M/H3000   | Right Front Fender/M Cab/H3000                                   | H3000        |
|                           | DZ15221230083 | 左前翼子板/G/H3000   | Left Front Fender/G Cab/H3000                                    | H3000        |
|                           | DZ15221230084 | 右前翼子板/G/H3000   | Right Front Fender/G Cab/H3000                                   | H3000        |
|                           | DZ15221230415 | 左前翼子板/G/M3000   | Left Front Fender/G Cab/M3000                                    | M3000        |
|                           | DZ15221230416 | 右前翼子板/G/M3000   | Right Front Fender/G Cab/M3000                                   | M3000        |
|                           | DZ15221230417 | 左前翼子板/M/M3000   | Left Front Fender/M Cab/M3000                                    | M3000        |
| 转向灯<br>Steering Lamp      | DZ15221230418 | 右前翼子板/M/M3000   | Right Front Fender/M Cab/M3000                                   | M3000        |
|                           | DZ96189812110 | 侧转向灯            | Side Steering Lamp   | 通用/Universal |
| 上、中、下台阶<br>Boarding Step  | DZ15221242501 | 左上门台阶           | Left Boarding Footboard  | 通用/Universal |
|                           | DZ15221242502 | 右上门台阶           | Right Boarding Footboard   | 通用/Universal |
|                           | DZ15221242503 | 左下门台阶           | Left Boarding Footboard  | 通用/Universal |
|                           | DZ15221242504 | 右下门台阶           | Right Boarding Footboard   | 通用/Universal |
|                           | DZ15221242497 | 左下门台阶(工程车两级踏步)  | Left Boarding Footboard/For Engineering Vehicle Two-stage Steps  | 通用/Universal |
|                           | DZ15221242498 | 右下门台阶(工程车两级踏步)  | Right Boarding Footboard/For Engineering Vehicle Two-stage Steps | 通用/Universal |
|                           | DZ15221242469 | 上、中台阶           | Upper&Middle Footboard   | 通用/Universal |
|                           | DZ15221242464 | 下台阶             | Lower Footboard  | 通用/Universal |
|                           | DZ15221242489 | 大灯检修口盖          | Headlamp Repair Cover  | 通用/Universal |



## H3000/M3000驾驶室后部部件 Rear Parts Of H3000/M3000 Cab



后风窗玻璃  
Rear Window Glass

进气扁管  
Intake-tube

进气波纹管  
Intake Bellows

| 分类/Classify                | 件号/Part No.   | 主要技术状态             | Main Technical Status                      |
|----------------------------|---------------|--------------------|--|
| 后窗玻璃<br>/Rear Window Glass | DZ15221710041 | 后风窗玻璃              | Rear Window Glass                          |
|                            | DZ15221710042 | 后风窗玻璃密封条           | Rear Window Glass Seal                     |
| 进气扁管<br>/Intake-tube       | DZ96259191264 | 高位进气管本体            | Intake-tube                                |
|                            | DZ96259190759 | 高位进气管本体/沙滤、油浴式应用较多 | Intake-tube/For Desert&Oil Bath Air Filter |
| 进气波纹管<br>/Intake Bellows   | DZ96259191265 | 高位进气波纹管            | Intake Bellows                             |
|                            | DZ96259190791 | 高位进气波纹管            | Intake Bellows                             |
|                            | DZ96259191791 | 高位进气波纹管/WP12NG/CNG | Intake Bellows/WP12NG/CNG                  |

## H3000/M3000驾驶室前面罩部件 Radiator Grille Assembly Of H3000/M3000



气弹簧  
Air Spring

外装电器盒盖板  
Junction Box Cover

缓冲块  
Bumper Block

前悬减震器  
Front Suspension Shock Absorber

电喇叭  
Klaxon

气弹簧  
Air Spring

雨刮电机  
Wiper Motor

暖风铝管  
Aluminium Heater Pipe

膨胀箱  
Expansion Tank

前横梁  
Cross Member

| 分类/Classify                           | 件号/Part No.   | 主要技术状态           | Main Technical Status                           |
|---------------------------------------|---------------|------------------|---|
| 前面罩附件<br>/Radiator Grille<br>Assembly | DZ95189711410 | 电喇叭              | Klaxon  |
|                                       | DZ15221110040 | 气弹簧              | Air Spring                                      |
|                                       | DZ96189586465 | 外装电器盒盖板          | Junction Box Cover                              |
|                                       | DZ13241430536 | 缓冲块              | Bumper Block                                    |
|                                       | DZ15221740009 | 雨刮电机             | Wiper Motor                                     |
|                                       | DZ15221741009 | 雨刮电机/M3000右置     | Wiper Motor/M3000 RHD                           |
|                                       | DZ15221844003 | 暖风铝管             | Aluminium Heater Pipe                           |
|                                       | DZ15221845027 | 暖风铝管             | Aluminium Heater Pipe                           |
|                                       | DZ15221842113 | 暖风铝管/M3000/加宽中冷器 | Aluminium Heater Pipe/M3000/Widened Intercooler |
|                                       | DZ15221842204 | 暖风铝管/M3000/右置    | Aluminium Heater Pipe/M3000 RHD                 |
|                                       | DZ96259533002 | 膨胀箱              | Expansion Tank                                  |
|                                       | DZ15221430500 | 前悬减震器            | Front Suspension Shock Absorber                 |
|                                       | DZ15221110011 | 前横梁              | Cross Member                                    |

## H3000/M3000车门附件 Door Accessory Of H3000/M3000

烟灰缸  
Ashtray

升降开关  
Window Control Switch

左车门关门扶手  
Armrest

门内饰条  
Decorative Strip

车门内开拉手  
Door Handle

车门进风口  
Air Intake

踏步灯  
Step Lamp

门灯开关  
Door Lamp Switch



| 分类/Classify | 件号/Part No.   | 主要技术状态<br>Main Technical Status                                  | 匹配车型<br>Match Vehicle Model |
|-------------|---------------|--|-----------------------------|
|             | DZ15221339991 | 左车门内开拉手/17内饰<br>Left Door Inside Handle/17 Interior              | H3000                       |
|             | DZ15221339992 | 右车门内开拉手/17内饰<br>Right Door Inside Handle/17 Interior             | H3000                       |
|             | DZ15221330038 | 左车门内开拉手<br>Left Door Inside Handle                               | 通用/Universal                |
|             | DZ15221330048 | 右车门内开拉手<br>Right Door Inside Handle                              | 通用/Universal                |
|             | DZ15221330036 | 左车门关门扶手(内)<br>Left Door Armrest(Inside)                          | M3000                       |
|             | DZ15221330046 | 右车门关门扶手(内)<br>Right Door Armrest(Inside)                         | M3000                       |
|             | DZ15221339981 | 左车门关门扶手(内)/17内饰<br>Left Door Armrest(Inside)/17 Interior         | H3000                       |
|             | DZ15221339982 | 右车门关门扶手(内)/17内饰<br>Right Door Armrest(Inside)/17 Interior        | H3000                       |
|             | DZ15221330037 | 左车门关门扶手(外)<br>Left Door Armrest(Outside)                         | M3000                       |
|             | DZ15221330047 | 右车门关门扶手(外)<br>Right Door Armrest(Outside)                        | M3000                       |
|             | DZ15221339983 | 左车门关门扶手(外)/17内饰<br>Left Door Armrest(Outside)/17 Interior        | H3000                       |
|             | DZ15221339984 | 右车门关门扶手(外)/17内饰<br>Right Door Armrest(Outside)/17 Interior       | H3000                       |
|             | DZ15221331036 | 左车门关门扶手(内)<br>Left Door Armrest(Inside)                          | 通用/Universal                |
|             | DZ15221331037 | 左车门关门扶手(外)<br>Left Door Armrest(Outside)                         | 通用/Universal                |
|             | DZ15221331046 | 右车门关门扶手(内)<br>Right Door Armrest(Inside)                         | 通用/Universal                |
|             | DZ15221331047 | 右车门关门扶手(外)<br>Right Door Armrest(Outside)                        | 通用/Universal                |
|             | DZ15221330035 | 左车门内护板上装饰条<br>Left Door Inner Decorative Strip                   | M3000                       |
|             | DZ15221330045 | 右车门内护板上装饰条<br>Right Door Inner Decorative Strip                  | M3000                       |
|             | DZ15221339987 | 左车门内护板上装饰条/17内饰<br>Left Door Inner Decorative Strip/17 Interior  | H3000                       |
|             | DZ15221339988 | 右车门内护板上装饰条/17内饰<br>Right Door Inner Decorative Strip/17 Interior | H3000                       |
|             | DZ15221330039 | 左车门进风口<br>Left Door Air Intake                                   | M3000                       |
|             | DZ15221330049 | 右车门进风口<br>Right Door Air Intake                                  | M3000                       |
|             | DZ15221339993 | 左车门进风口/17内饰<br>Left Door Air Intake/17 Interior                  | H3000                       |
|             | DZ15221339994 | 右车门进风口/17内饰<br>Right Door Air Intake/17 Interior                 | H3000                       |
|             | DZ15221210126 | 左车门上铰链<br>Left Door Upper Hinge                                  | 通用/Universal                |
|             | DZ15221210127 | 左车门下铰链<br>Left Door Lower Hinge                                  | 通用/Universal                |
|             | DZ15221210226 | 右车门上铰链<br>Right Door Upper Hinge                                 | 通用/Universal                |
|             | DZ15221210227 | 右车门下铰链<br>Right Door Lower Hinge                                 | 通用/Universal                |
|             | DZ15221330070 | 左车门限位器<br>Left Door Stop   | 通用/Universal                |
|             | DZ15221330080 | 右车门限位器<br>Right Door Stop  | 通用/Universal                |
|             | DZ96189584612 | 升降开关<br>Window Control Module/New Interior                       | 通用/Universal                |
|             | DZ96189584813 | 升降开关(新内饰)<br>Window Control Switch                               | 通用/Universal                |
|             | DZ96189584614 | 门灯开关<br>Door Lamp Switch   | 通用/Universal                |
|             | DZ96189721369 | 踏步灯(M3000, LED)<br>Step Lamp/LED                                 | 通用/Universal                |
|             | DZ15221339997 | 烟灰缸/17内饰<br>Ashtray/17 Interior                                  | H3000                       |

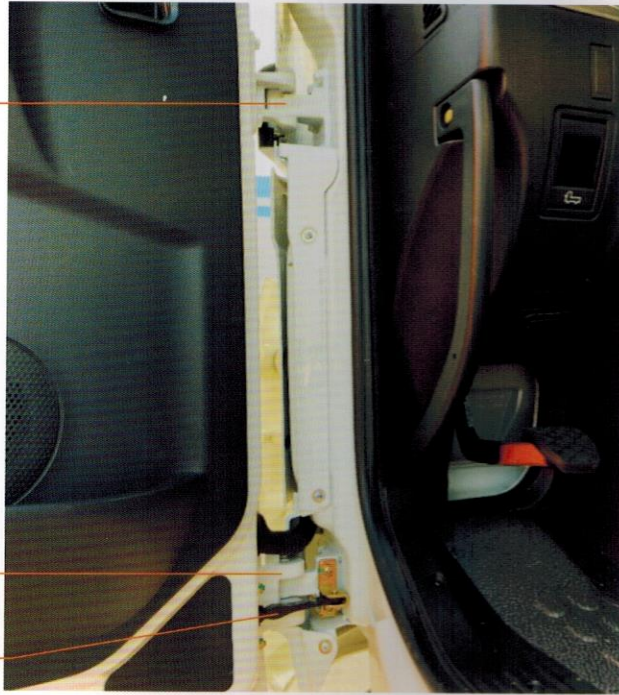
车门附件  
Door Accessory

## H3000/M3000车门附件 **Door Accessory Of H3000/M3000**

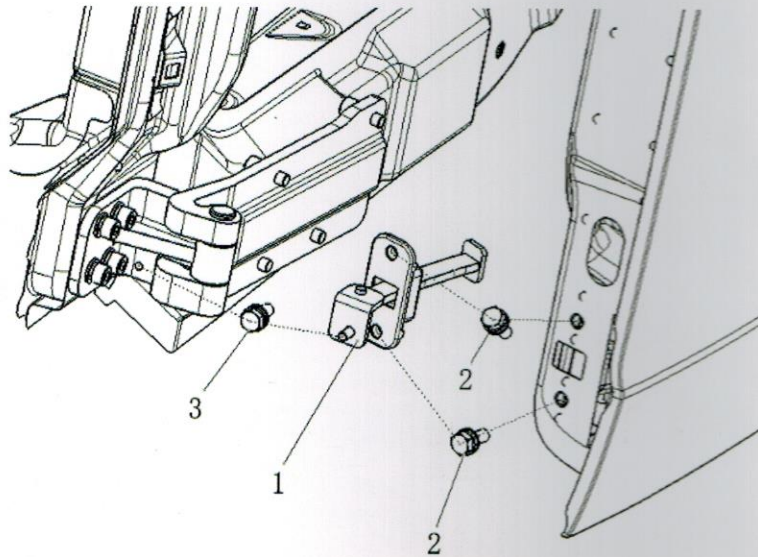
车门上铰链  
Door Upper Hinge

车门下铰链  
Door Lower Hinge

车门限位器  
Door Stop

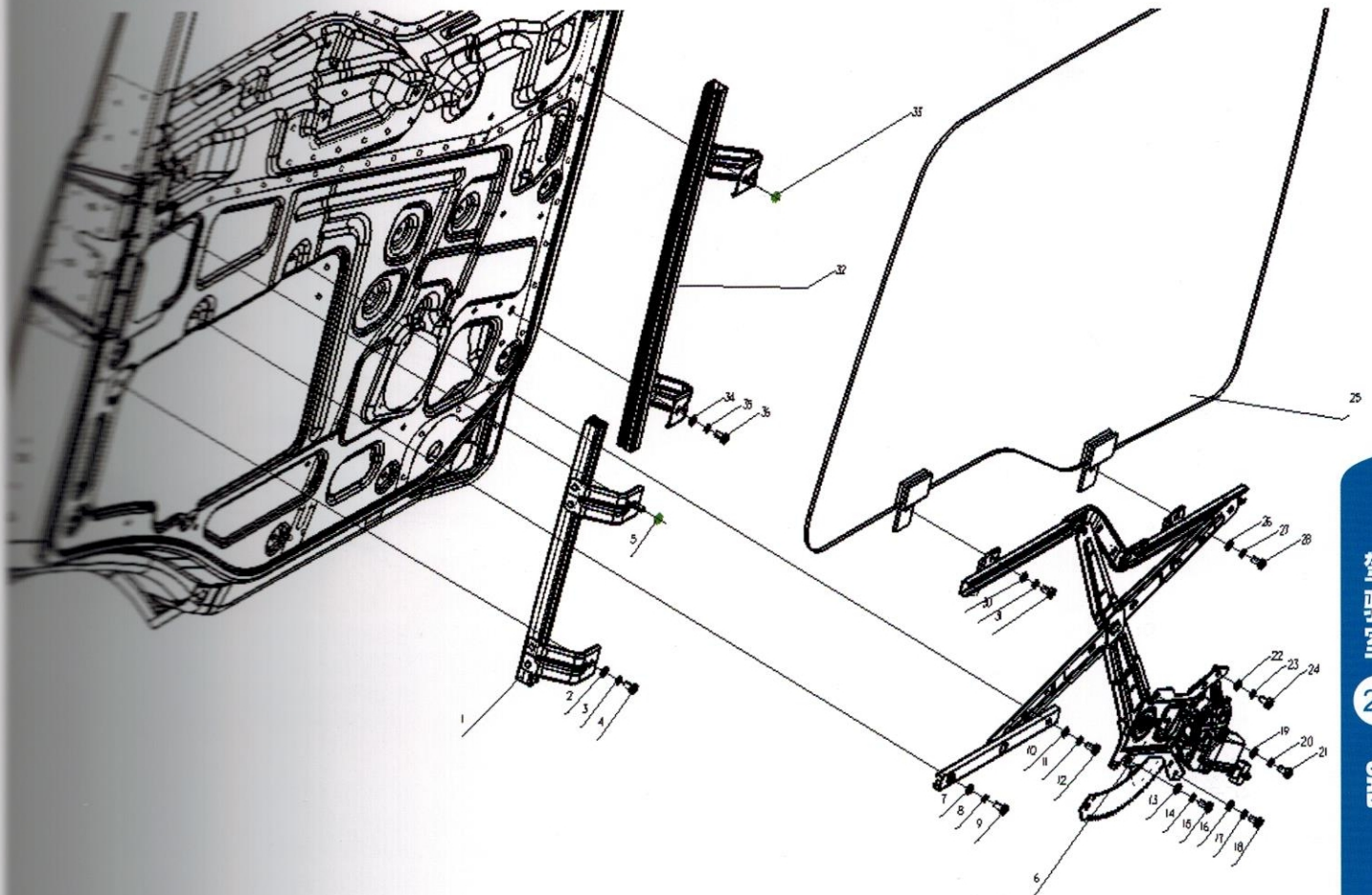


### 左车门限位器 **Left Door Limit**



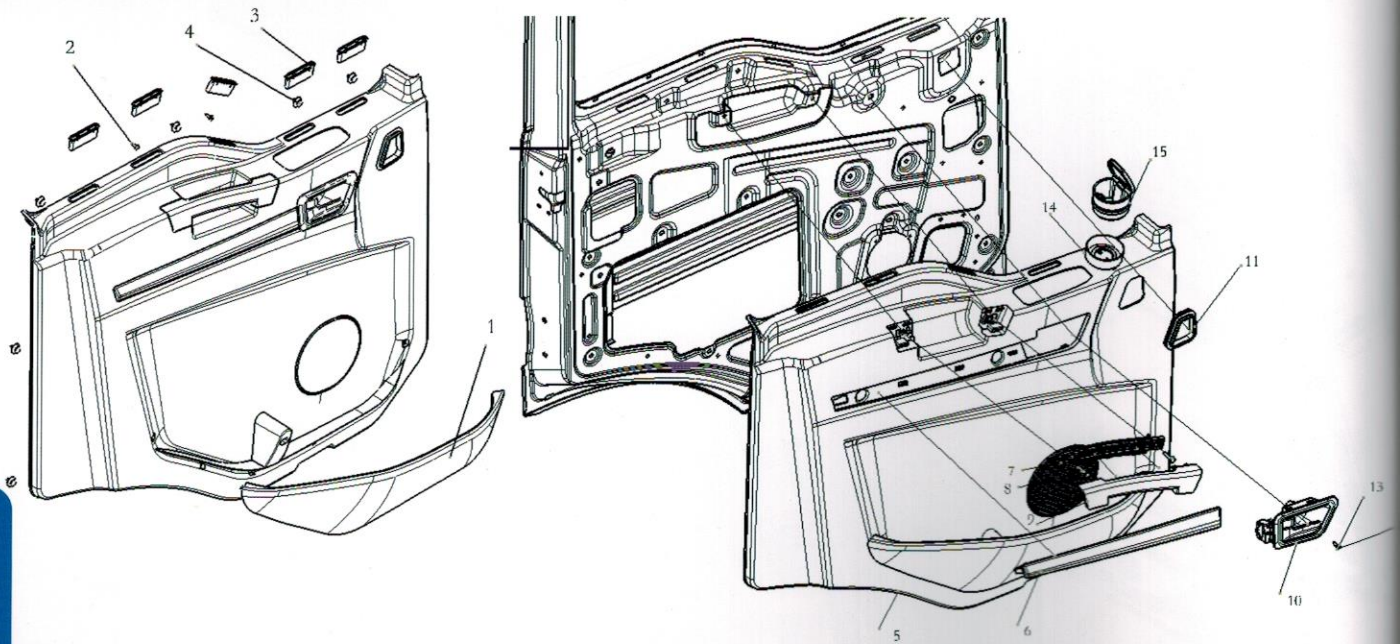
| 序号<br>Item | 件号<br>Part No. | 名称                | Name  |
|------------|----------------|-------------------|---|
| 1          | DZ15221330070  | 左车门限位器            | Left door stop                                      |
| 2          | Q1460616       | 六角头螺栓、弹簧垫圈和平垫圈组合件 | Hex bolt, spring washer and flat washer combination |
| 3          | Q2140625       | 十字槽盘头螺钉           | Cross recess head screw                             |
| 4          | Q40106         | 平垫圈               | Flat washer   |
| 5          | Q40306         | 弹簧垫圈              | Spring washer                                       |

## 左车门电动玻璃升降器装配总成 Left door electric window lifter assembly



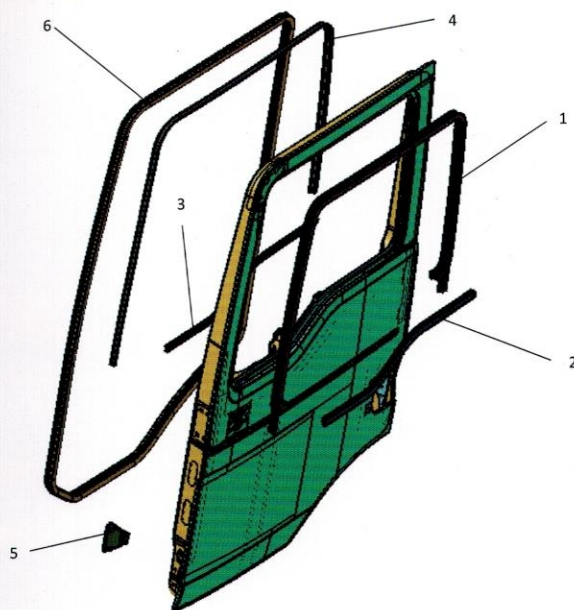
| 序号<br>Item  | 件号<br>Part No. | 名称         | Name                             |
|-------------|----------------|------------|----------------------------------|
| 1           | DZ15221330056  | 左车门前下导轨    | Left door front lower rail       |
| 2           | Q40106         | 平垫圈        | Flat washer                      |
| 3           | Q40306         | 弹簧垫圈       | Spring washer                    |
| 4           | Q2140612       | 十字槽盘头螺钉    | Cross recessed pan head screw    |
| 5           | Q340B06        | 六角螺母       | Hexagonal nut                    |
| 6           | DZ15221330058  | 左车门电动玻璃升降器 | Left door electric window lifter |
| 7/10        | Q40106         | 平垫圈        | Flat washer                      |
| 8/11        | Q40306         | 弹簧垫圈       | Spring washer                    |
| 9/12        | Q2140612       | 十字槽盘头螺钉    | Cross recessed pan head screw    |
| 13/16/19/22 | Q40106         | 平垫圈        | Flat washer                      |
| 14/17/20/23 | Q40306         | 弹簧垫圈       | Spring washer                    |
| 15/18/21/24 | Q2140612       | 十字槽盘头螺钉    | Cross recessed pan head screw    |
| 25          | DZ15221330059  | 左车门玻璃      | Left door glass                  |
| 26-29       | Q40106         | 平垫圈        | Flat washer                      |
| 27-30       | Q40306         | 弹簧垫圈       | Spring washer                    |
| 28-31       | Q2140612       | 十字槽盘头螺钉    | Cross recessed pan head screw    |
| 32          | DZ15221330057  | 左车门后下导轨    | Left door rear lower rail        |
| 33          | Q340B06        | 六角螺母       | Hexagonal nut                    |
| 34          | Q40106         | 平垫圈        | Flat washer                      |
| 35          | Q40306         | 弹簧垫圈       | Spring washer                    |
| 36          | Q2140612       | 十字槽盘头螺钉    | Cross recessed pan head screw    |

左车门内护板总成 Left door inner panel assembly



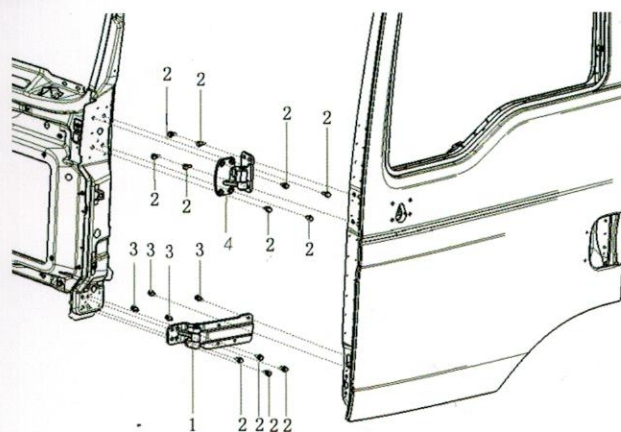
| 序号<br>Item | 件号<br>Part No. | 名称               | Name   |
|------------|----------------|------------------|--|
| 1          | DZ15221330031  | 左车门杂物袋           | Left door glove bag                                |
|            | DZ15221339989  | 左车门杂物袋/H3000     | Left door glove bag /H3000                         |
| 2          | Q2704210       | 十字槽大圆头自攻螺钉       | Cross recessed large round head self tapping screw |
| 3          | DZ15221330032  | 空调出风口罩           | Air conditioning outlet cover                      |
|            | DZ15221339995  | 空调出风口罩/H3000     | Air conditioning outlet cover /H3000               |
| 4          | DZ15221330033  | 塑料卡扣             | Plastic buckle                                     |
| 5          | DZ15221330034  | 左车门内护板本体         | Left door inner panel body                         |
|            | DZ15221339985  | 左车门内护板本体/H3000   | Left door inner panel body /H3000                  |
| 6          | DZ15221330035  | 左车门内护板上装饰条       | Left door inner panel upper trim strip             |
|            | DZ15221339987  | 左车门内护板上装饰条/H3000 | Left door inner panel upper trim strip /H3000      |
| 7          | DZ15221330036  | 左车门关门扶手(内)       | Left door closing handrail (inside)                |
|            | DZ15221339981  | 左车门关门扶手(内)/H3000 | Left door closing handrail (inside) /H3000         |
| 8          | Q150B0625      | 六角头螺栓            | Hexagon head bolt                                  |
| 9          | DZ15221330037  | 左车门关门扶手(外)       | Left door closing handrail (outside)               |
|            | DZ15221339983  | 左车门关门扶手(外)/H3000 | Left door closing handrail (outside) /H3000        |
| 10         | DZ15221330038  | 左车门内开拉手总成        | Left door inner handle assembly                    |
|            | DZ15221339991  | 左车门内开拉手总成/H3000  | Left door inner handle assembly /H3000             |
| 11         | DZ15221330039  | 左车门进风口           | Left door air inlet                                |
|            | DZ15221339993  | 左车门进风口/H3000     | Left door air inlet /H3000                         |
| 12         | Q2714816       | 十字槽盘头自攻螺钉        | Cross recessed pan head self tapping screw         |
| 13         | Q398B04        | A型通孔式嵌装塑料螺母      | Type A through-hole insert plastic nut             |
| 14         | DZ15221330042  | 烟灰缸底座            | Ashtray base                                       |
|            | DZ15221339996  | 烟灰缸底座/H3000      | Ashtray base /H3000                                |
| 15         | DZ15221330043  | 烟灰缸              | Ashtray  |
|            | DZ15221339997  | 烟灰缸/H3000        | Ashtray/H3000                                      |

## 左车门密封条 Left door seal strip



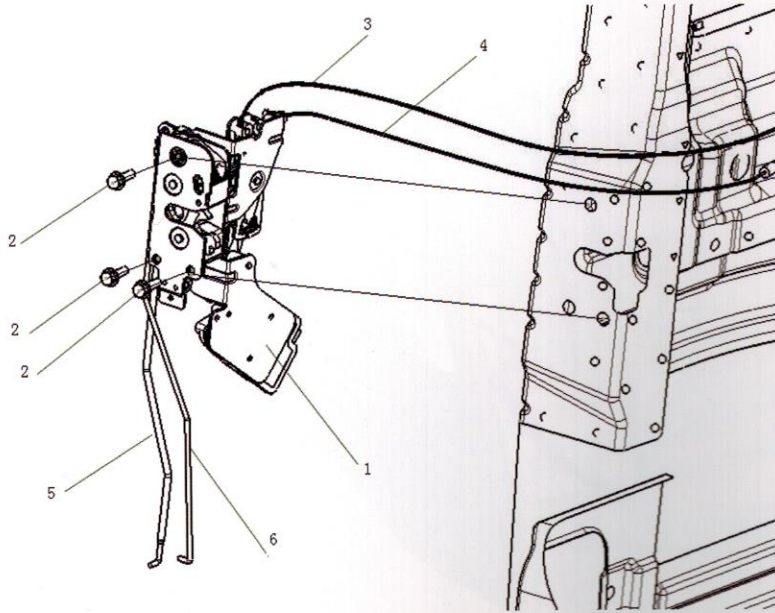
| 序号<br>Item | 件号<br>Part No. | 名称       | Name                         |
|------------|----------------|----------|------------------------------|
| 1          | DZ15221330051  | 左车门玻璃泥槽  | Left door glass clay groove  |
| 2          | DZ15221330052  | 左车门外水切   | Left door outer weatherstrip |
| 3          | DZ15221330053  | 车门内水切    | Left door inner weatherstrip |
| 4          | DZ15221330054  | 门框密封条    | Door frame seal strip        |
| 5          | DZ15221330055  | 左车门下部装饰板 | Left door lower trim plate   |
| 6          | DZ15221330050  | 车门门洞密封条  | Door opening seal strip      |

## 左车门铰链 Left door hinge



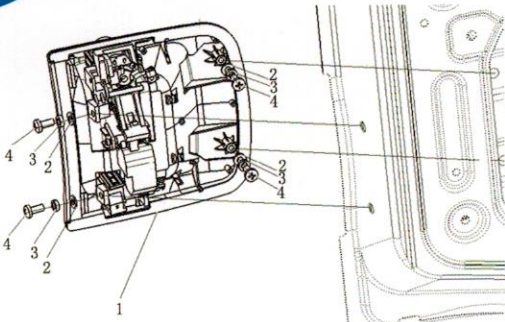
| 序号<br>Item | 件号<br>Part No. | 名称       | Name                      |
|------------|----------------|----------|---------------------------|
| 1          | DZ15221210127  | 左车门下铰链   | Left door lower hinge     |
| 2          | Q218B0820TF2   | 内六角圆柱头螺钉 | Hexagon socket head screw |
|            | Q40308         | 弹簧垫圈     | Spring washer             |
| 3          | Q40108         | 平垫圈      | Flat washer               |
|            | Q218B0830TF2   | 内六角圆柱头螺钉 | Hexagon socket head screw |
|            | Q40308         | 弹簧垫圈     | Spring washer             |
| 4          | Q40108         | 平垫圈      | Flat washer               |
|            | DZ15221210126  | 左车门上铰链   | Left door upper hinge     |

## 左车门锁体总成 Left door lock assembly



| 序号<br>Item | 件号<br>Part No. | 名称       | Name                             |
|------------|----------------|----------|----------------------------------|
| 1          | DZ15221340011  | 左车门锁体    | Left door lock                   |
| 2          | Q2140612       | 十字槽盘头螺钉  | Cross recess head screw          |
|            | Q40306         | 弹簧垫圈     | Spring washer                    |
|            | Q401B06        | 平垫圈(镀锌)  | Flat washer ( Galvanization )    |
| 3          | DZ15221340018  | 左车门内锁止拉丝 | Left door lockup wiredrawing     |
| 4          | DZ15221340014  | 内开拉丝     | Inner opening wiredrawing        |
| 5          | DZ15221340012  | 左车门外开拉杆  | Left door outer opening pull rod |
| 6          | DZ15221340013  | 左车门锁芯拉杆  | Left door lock core pull rod     |

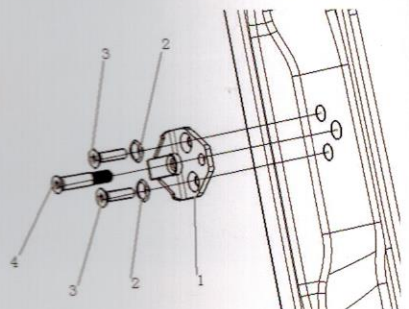
## 左车门锁体总成 Left door lock assembly

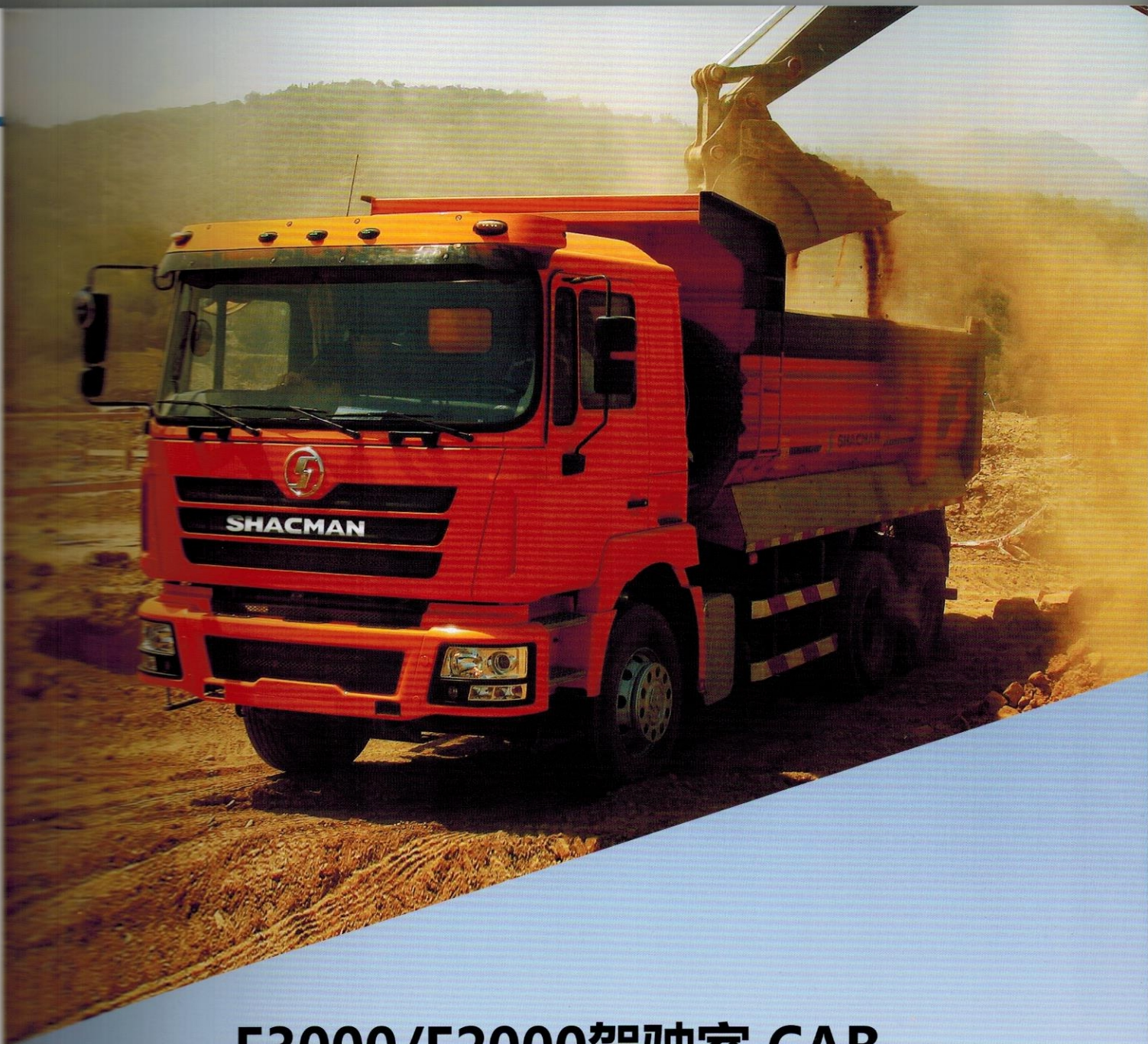


| 序号<br>Item | 件号<br>Part No. | 名称        | Name                            |
|------------|----------------|-----------|---------------------------------|
| 1          | DZ15221340015  | 左车门外开把手总成 | Left door outer handle assembly |
| 2          | Q401B06        | 平垫圈(镀锌)   | Flat washer ( Galvanization )   |
| 3          | Q40306         | 弹簧垫圈      | Spring washer                   |
| 4          | Q2140612       | 十字槽盘头螺钉   | Cross recess head screw         |

## 左车门锁栓 Left door lock latch

| 序号<br>Item | 件号<br>Part No. | 名称       | Name                                  |
|------------|----------------|----------|---------------------------------------|
| 1          | DZ15221340016  | 锁栓       | Lock latch                            |
| 2          | Q41408         | 锥形锯齿锁紧垫圈 | Taper serrated lock washer            |
| 3          | Q2540830       | 十字槽沉头螺钉  | Cross recessed countersunk head screw |
| 4          | DZ15221340017  | 锁栓销      | Lock latch pin                        |





## F3000/F2000驾驶室 CAB



N/加长高顶驾驶室  
Lengthened High Roof



J/加长平顶驾驶室  
Lengthened Flat Roof



D/中长平顶驾驶室  
Mid-Lengthened Flat Roof

## F3000驾驶室前部部件 Front Parts Of F3000 Cab

遮阳罩/Sun Shade

右示廓灯/Right Clearance Lamp

前视镜/Front View Mirror

右后视镜/Right Rear View Mirror

雨刮臂/Wiper Arm

右拉手/Right Handle

陕汽标/SQ Logo

SHACMAN标/SHACMAN Logo

右扰流板/Right Spoiler

右前组合灯/Right Headlamp

保险杠/Bumper

示高灯/Height Lamp

左示廓灯/Left Clearance Lamp

挡风玻璃/Windshield

左后视镜/Left Rear View Mirror

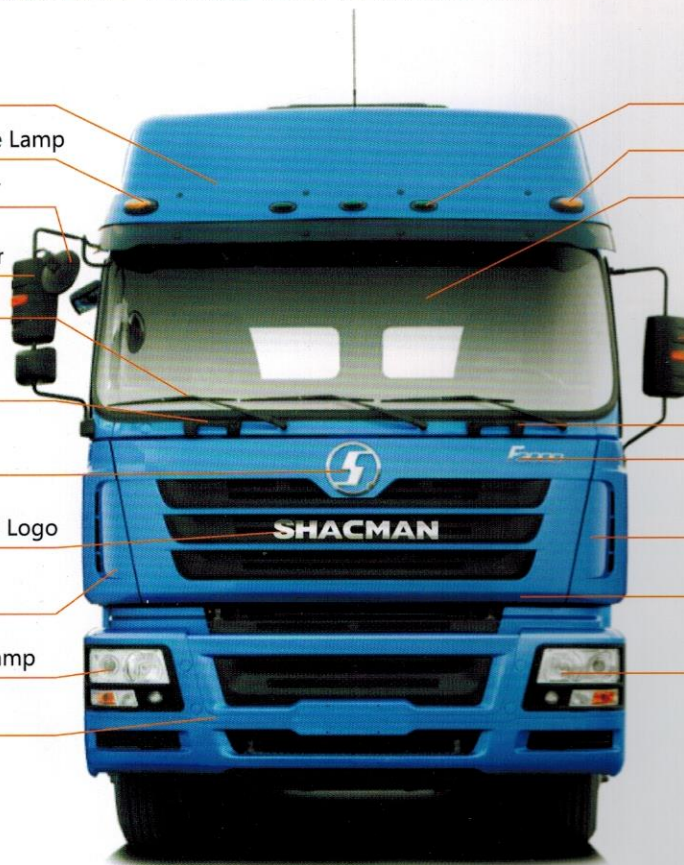
左拉手/Left Handle

F3000标/F3000 Logo

左扰流板/Left Spoiler

前面罩/Radiator Grille

左前组合灯/Left Headlamp



## F2000驾驶室前部部件 Front Parts Of F2000 Cab

遮阳罩/Sun Shade

右示廓灯/Right Clearance Lamp

前视镜/Front View Mirror

右后视镜/Right Rear View Mirror

雨刮臂/Wiper Arm

右拉手/Right Handle

SHACMAN标/SHACMAN Logo

陕汽标/SQ Logo

右前组合灯/Right Headlamp

保险杠/Bumper

左示廓灯/Left Clearance Lamp

挡风玻璃/Windshield

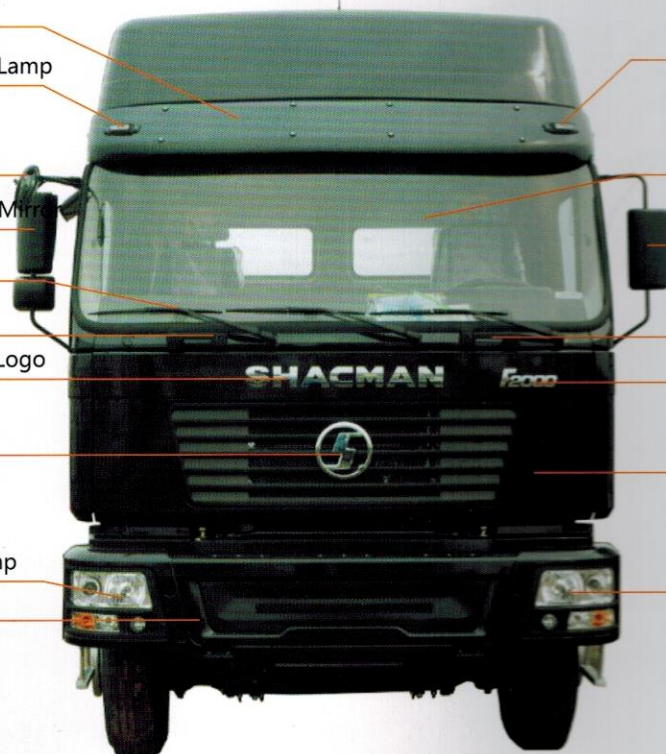
左后视镜/Left Rear View Mirror

左拉手/Left Handle

F2000标/F2000 Logo

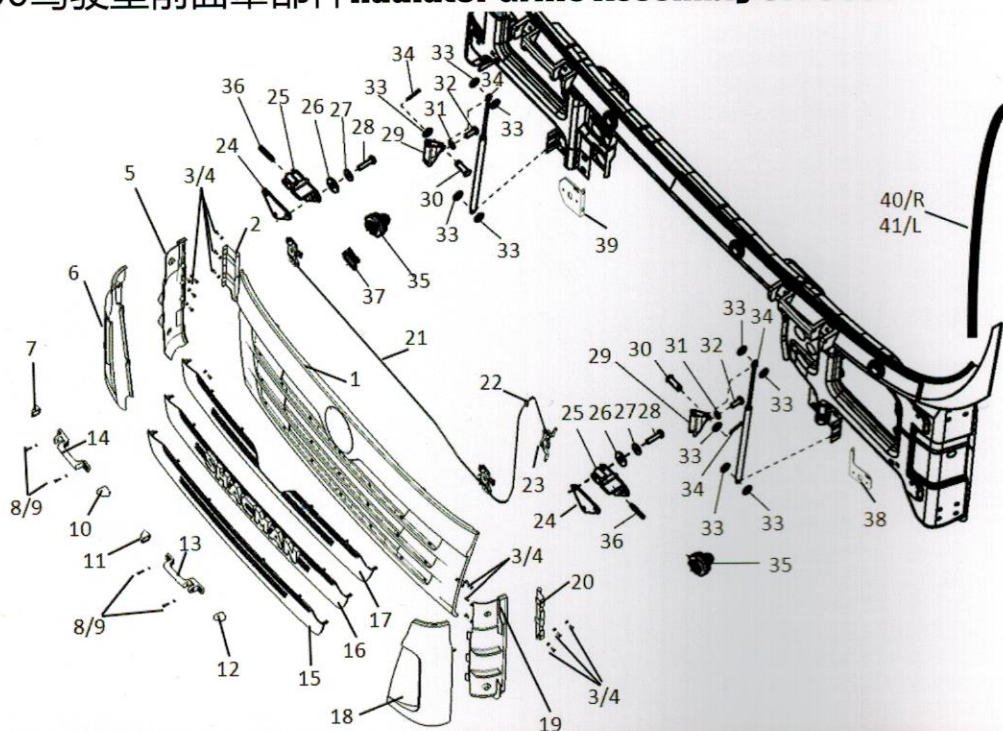
前面罩/Radiator Grille

左前组合灯/Left Headlamp



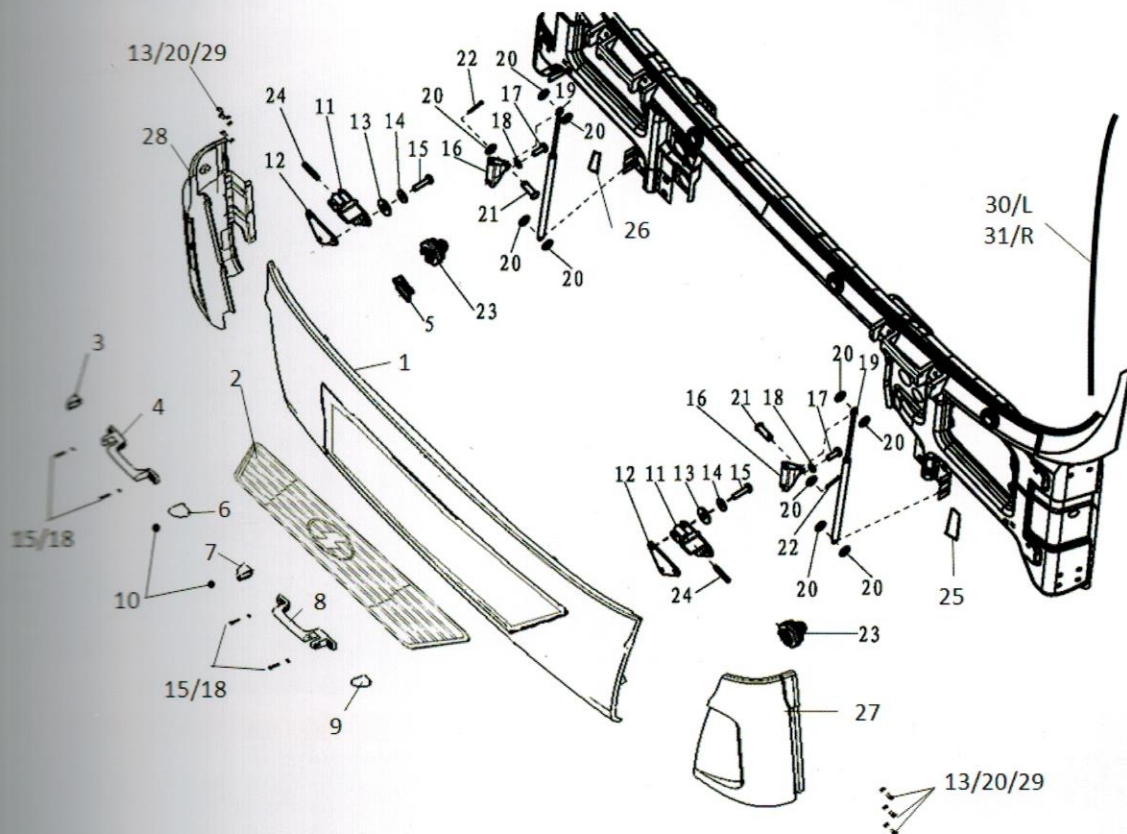
| 分类/Classify      | 件号/Part No.         | 主要技术状态/Main Technical Status                                    | 主要技术状态/Main Technical Status                                      | 匹配车型/Match Vehicle |
|------------------|---------------------|---|---|--------------------|
| FRP Bumper       | DZ93189932101       | F3000非金属保险杠   | F3000 FRP Bumper  | F3000              |
|                  | DZ93259932102       | F3000金属保险杠  | F3000 Metal Bumper  | F3000              |
|                  | 8L41610.4114        | 非金属高位保险杠  | F2000 FRP Upper Bumper  | F2000              |
|                  | DZ9112930230        | 副保险杠/非金属高位保险杠   | Auxiliary Bumper/FRP Upper  | F2000              |
|                  | SZ962000705         | 金属保险杠/带灯护网  | Metal Bumper/With Headlamp Protective Grille                      | F2000              |
|                  | DZ93259623139       | 钢板保险杠   | Steel Plate Bumper  | F2000              |
| Rear View Mirror | DZ13241770910       | 左后视镜/左置   | Left Rear View Mirror/LHD   | 通用/Universal       |
|                  | DZ13241770920       | 右后视镜/左置   | Right Rear View Mirror/LHD  | 通用/Universal       |
|                  | DZ13241770970       | 左后视镜/左置/电动电加热   | Left Rear View Mirror/LHD/Electrical Adjust And Heat              | 通用/Universal       |
|                  | DZ13241770980       | 右后视镜/左置/电动电加热   | Right Rear View Mirror/LHD/Electrical Adjust And Heat             | 通用/Universal       |
|                  | DZ13241771910       | 左后视镜/右置   | Left Rear View Mirror/RHD   | 通用/Universal       |
|                  | DZ13241771920       | 右后视镜/右置   | Right Rear View Mirror/RHD  | 通用/Universal       |
|                  | DZ13241771970       | 左后视镜/右置/电动电加热   | Left Rear View Mirror/RHD/Electrical Adjust And Heat              | 通用/Universal       |
|                  | DZ13241771980       | 右后视镜/右置/电动电加热   | Right Rear View Mirror/RHD/Electrical Adjust And Heat             | 通用/Universal       |
|                  | DZ13241770051       | 左后视镜/车门上  | Left Rear View Mirror/On Door                                     | F3000              |
|                  | DZ13241770041       | 右后视镜/车门上  | Right Rear View Mirror/On Door                                    | F3000              |
|                  | DZ13241770912       | 主外后视镜   | Main External Rearview Mirror                                     | 通用/Universal       |
|                  | DZ13241770952       | 主外后视镜/电加热   | Main External Rearview Mirror/Electrical Adjust                   | 通用/Universal       |
| DZ13241770972    | 主外后视镜/电动电加热         | Main External Rearview Mirror/Electrical Adjust And Heat        | 通用/Universal  |                    |
| DZ13241770913    | 广角后视镜               | Wide Angle Mirror   | 通用/Universal  |                    |
| DZ13241770953    | 广角后视镜/电加热           | Wide Angle Mirror/Electrical Adjust                             | 通用/Universal  |                    |
| DZ13241770973    | 广角后视镜/电动电加热         | Wide Angle Mirror/Electrical Adjust And Heat                    | 通用/Universal  |                    |
| DZ13241770940    | 前视镜                 | Front View Mirror   | 通用/Universal  |                    |
| DZ13241771940    | 前视镜/右置              | Front View Mirror/RHD   | 通用/Universal  |                    |
| DZ13241770730    | 前视镜/海湾七国            | Front View Mirror/For GCC Certification                         | 通用/Universal  |                    |
| Sun Shade        | DZ13241870060       | 遮阳罩/分体  | Sun Shade/Split Type  | F3000              |
|                  | DZ1643870010        | 遮阳板   | Sun Shade   | F2000              |
| Sun Shade        | DZ13241870032       | 遮阳罩/后视镜前置   | Sun Shade/Front-Rear View Mirror                                  | F2000              |
|                  | DZ93189723230       | 示高灯   | Height Lamp   | 通用/Universal       |
| Height Lamp      | DZ93189723231       | 示高灯(黄色)   | Height Lamp(Yellow)   | 通用/Universal       |
|                  | SZ972000710         | 示高灯(白色)   | Height Lamp/White   | 通用/Universal       |
| Clearance Lamp   | DZ93189723210       | 示廓灯   | Clearance Lamp  | 通用/Universal       |
|                  | DZ93189721220       | 示廓灯(黄色)   | Clearance Lamp/Yellow   | 通用/Universal       |
| Headlamp         | DZ9100720057        | 左前照灯(左侧行驶)/金属保险杠  | Left Headlamp/Metal Bumper/LHD                                    | 通用/Universal       |
|                  | DZ9100720058        | 右前照灯(左侧行驶)/金属保险杠  | Right Headlamp/Metal Bumper/LHD                                   | 通用/Universal       |
|                  | DZ93189724110       | 左前照灯(DRL)/金属保险杠   | Left Headlamp/DRL/Metal Bumper                                    | 通用/Universal       |
|                  | DZ93189724120       | 右前照灯(DRL)/金属保险杠   | Right Headlamp/DRL/Metal Bumper                                   | 通用/Universal       |
|                  | DZ93189723010       | 左前照灯(整体式)/金属保险杠   | Left Headlamp/Integrated/Metal Bumper                             | 通用/Universal       |
|                  | DZ93189723020       | 右前照灯(整体式)/金属保险杠   | Right Headlamp/Integrated/Metal Bumper                            | 通用/Universal       |
|                  | DZ95189724010       | 左前照灯(整体式,右置车)/金属保险杠   | Left Headlamp/Integrated/Metal Bumper/RHD                         | 通用/Universal       |
|                  | DZ95189724020       | 右前照灯(整体式,右置车)/金属保险杠   | Right Headlamp/Integrated/Metal Bumper/RHD                        | 通用/Universal       |
|                  | DZ93189723050       | 左前照灯(整体式,电调)/金属保险杠  | Left Headlamp/Integrated/Adjustable Headlamp Height/Metal Bumper  | F3000              |
|                  | DZ93189723060       | 右前照灯(整体式,电调)/金属保险杠  | Right Headlamp/Integrated/Adjustable Headlamp Height/Metal Bumper | F3000              |
|                  | DZ9100726030        | 左前照灯/玻璃钢保险杠   | Left Headlamp/FRP Bumper  | F2000              |
|                  | DZ9100726020        | 右前照灯/玻璃钢保险杠   | Right Headlamp/FRP Bumper   | F2000              |
| DZ93189722010    | 左前照灯/玻璃钢保险杠/右置      | Left Headlamp/FRP Bumper/RHD                                    | F2000   |                    |
| DZ93189722020    | 右前照灯/玻璃钢保险杠/右置      | Right Headlamp/FRP Bumper/RHD                                   | F2000   |                    |
| DZ93189723050    | 左前照灯(整体式,电调)/玻璃钢保险杠 | Left Headlamp/Integrated/Adjustable Headlamp Height/FRP Bumper  | F3000   |                    |
| DZ93189723060    | 右前照灯(整体式,电调)/玻璃钢保险杠 | Right Headlamp/Integrated/Adjustable Headlamp Height/FRP Bumper | F3000   |                    |
| Wiper Arm        | 8L26430.0083        | 刮水器臂  | Wiper Arm   | 通用/Universal       |
|                  | 8L26440.0038        | 刮水器片  | Wiper Blade   | 通用/Universal       |
| SQ Logo          | DZ13241930033       | 陕汽标志牌   | SQ Logo   | 通用/Universal       |
| F3000 Logo       | DZ13241930032       | F3000标牌   | F3000 Logo  | F3000              |
| F2000 Logo       | DZ1640930007        | F2000标牌   | F2000 Logo  | F2000              |
| F3000 Logo       | DZ13241930231       | SHACMAN标牌   | SHACMAN Logo  | F3000              |
| F2000 Logo       | DZ13241930232       | SHACMAN标牌   | SHACMAN Logo  | F2000              |
| Windshield       | 8L62450.0052        | 挡风玻璃  | Windshield  | 通用/Universal       |
|                  | DZ13241110011       | 前面罩   | Radiator Grille   | F3000              |
|                  | DZ13241110012       | 格栅上   | Upper Grille  | F3000              |
|                  | DZ13241110013       | 格栅中   | Middle Grille   | F3000              |
|                  | DZ13241110084       | 格栅中(SHACMAN)  | Middle Grille/SHACMAN   | F3000              |
|                  | DZ13241110014       | 格栅下   | Lower Grille  | F3000              |
| Radiator Grille  | DZ1642110044        | 散热器面罩   | Radiator Grille   | F2000              |
|                  | DZ1642110060        | 散热器护栅(国产)   | Radiator Grille Protective Palisade                               | F2000              |
| Left Spoiler     | DZ13241870011       | 左扰流板外板  | Left Spoiler Outer Plate/F3000                                    | F3000              |
|                  | DZ13241870027       | 左扰流板内板  | Left Spoiler Inner Plate/F3000                                    | F3000              |
|                  | DZ13241870012       | 右扰流板外板  | Right Spoiler Outer Plate/F3000                                   | F3000              |
|                  | DZ13241870028       | 右扰流板内板  | Right Spoiler Inner Plate/F3000                                   | F3000              |
|                  | DZ13241870025       | 左前侧盖板   | Left Front Cover Plate  | F2000              |
|                  | DZ13241870026       | 右前侧盖板   | Right Front Cover Plate   | F2000              |
| Left Handle      | 8L97001.5081        | 左拉手   | Left Handle   | 通用/Universal       |
|                  | 8L97001.5082        | 右拉手   | Right Handle  | 通用/Universal       |

# F3000驾驶室前面罩部件Radiator Grille Assembly Of F3000



| 序号<br>Item | 件号<br>Part No. | 名称              | Name                                     |
|------------|----------------|-----------------|--|
| 1          | DZ13241110011  | 前面罩             | Front grille                             |
| 2          | DZ13241870016  | 右扰流板支架          | Right spoiler bracket                    |
| 3          | Q150B0816      | 六角头螺栓           | Hexagon head bolt                        |
| 4          | Q40108         | 平垫圈             | Flat washer                              |
| 5          | DZ13241870028  | 右扰流板内板          | Right side spoiler inner plate           |
| 6          | DZ13241870012  | 右扰流板外板          | Right side spoiler outer plate           |
| 7          | 81.97001.0500  | 右帽              | Right cap                                |
| 8          | Q150B0625      | 六角头螺栓           | Hexagon head bolt                        |
| 9          | Q40106         | 平垫圈             | Flat washer                              |
| 10         | 81.97001.0501  | 左帽              | Left cap                                 |
| 11         | 81.97001.0498  | 右盖              | Right cover                              |
| 12         | 81.97001.0499  | 左盖              | Left cover                               |
| 13         | 81.97001.5081  | 左拉手总成           | Left handle assembly                     |
| 14         | 81.97001.5082  | 右拉手总成           | Right handle assembly                    |
| 15         | DZ13241110014  | 格栅下             | Grille bottom                            |
| 16         | DZ13241110084  | 格栅中 ( SHACMAN ) | Grille medium (SHACMAN)                  |
| 17         | DZ13241110012  | 格栅上             | Grille upper                             |
| 18         | DZ13241870011  | 左扰流板外板          | Left spoiler outer plate                 |
| 19         | DZ13241870027  | 左扰流板内板          | Left spoiler inner plate                 |
| 20         | DZ13241870015  | 左扰流板支架          | Left spoiler bracket                     |
| 21         | SZ111000710    | 面罩锁锁座及拉杆总成      | Grille lock holder and pull rod assembly |
| 22         | 1381F0140090   | 护套              | Sheath                                   |
| 23         | DZ13241110073  | 面罩锁拉手柄及支架       | Grille lock handle and bracket           |
| 24         | 81.62440.0022  | 衬垫              | Liner                                    |
| 25         | 81.62440.0031  | 黑色铰链            | Black hinge                              |
| 26         | Q40206         | 大垫圈             | Big washer                               |
| 27         | Q40208         | 大垫圈             | Big washer                               |
| 28         | Q150B0625      | 六角头螺栓           | Hexagon head bolt                        |
| 29         | 81.62440.0023  | 气弹簧支架           | Air spring support                       |
| 30         | Q5100824       | 销轴              | Pin                                      |
| 31         | Q40106         | 平垫圈             | Flat washer                              |
| 32         | Q150B0616      | 六角头螺栓           | Hexagon head bolt                        |
| 33         | Q40108         | 平垫圈             | Flat washer                              |
| 34         | DZ13241110033  | 气压弹簧            | Gas spring                               |
| 35         | SZ111000711    | 面罩锁锁头           | Grille lock                              |
| 36         | 81.90201.0163  | 铰链销             | Hinge pin                                |
| 37         | 81.92501.0029  | 夹箍(国产)          | Clamp                                    |
| 38         | SZ111000712    | 面罩锁左支架总成        | Grille lock left bracket assembly        |
| 39         | SZ111000715    | 面罩锁右支架总成        | Grille lockright bracket assembly        |
| 40         | 81.62910.0051  | 雨槽护套左           | Rain groove sheath left                  |
| 41         | 81.62910.0052  | 雨槽护套右           | Rain trough sheath right                 |

## F2000驾驶室前面罩部件 Radiator Grille Assembly Of F2000



| 序号<br>Item | 件号<br>Part No. | 名称    | Name                               |
|------------|----------------|-------|------------------------------------|
| 1          | DZ1642110044   | 前面罩本体 | Front lid                          |
| 2          | DZ1642110060   | 护栅    | Grille                             |
| 3          | 81.97001.0500  | 右帽    | Right shield I                     |
| 4          | 81.97001.5082  | 右拉手总成 | Right front handrail               |
| 5          | 81.92501.0029  | 夹箍    | Fore-outline light                 |
| 6          | 81.97001.0501  | 左帽    | Lift shield I                      |
| 7          | 81.97001.0498  | 右盖    | Right shield II                    |
| 8          | 81.97001.5081  | 左拉手总成 | Left front handrail                |
| 9          | 81.97001.0499  | 左盖    | Lift shield II                     |
| 10         | 81.96002.0347  | 塞子    | Stopper                            |
| 11         | 81.62440.0031  | 黑色铰链  | Front lid hinge assy               |
| 12         | 81.62440.0022  | 衬垫    | Liner                              |
| 13         | Q40208         | 大垫圈   | Washer                             |
| 14         | Q40206         | 大垫圈   | Washer                             |
| 15         | Q150B0625      | 六角头螺栓 | Hex shoulder stud                  |
| 16         | 81.62440.0023  | 气弹簧支架 | Air spring support                 |
| 17         | Q150B0616      | 六角头螺栓 | Hex shoulder stud                  |
| 18         | Q40106         | 平垫圈   | Washer                             |
| 19         | DZ13241110033  | 气压弹簧  | Air spring assy                    |
| 20         | Q5100824       | 销轴    | Pin roll                           |
| 21         | Q40108         | 平垫圈   | Washer                             |
| 22         | Q5002020       | 开口销   | Cotter                             |
| 23         | DZ1642110010   | 缓冲件   | Buffer                             |
| 24         | 81.90201.0163  | 铰链销   | Pin roll                           |
| 25         | DZ1642110030   | 左支架总成 | Left trestle                       |
| 26         | DZ1642110040   | 右支架总成 | Right trestle                      |
| 27         | DZ13241870025  | 左前侧盖板 | Left air deflector external board  |
| 28         | DZ13241870026  | 右前侧盖板 | Right air deflector external board |
| 29         | Q150B0820      | 六角头螺栓 | Hex shoulder stud                  |
| 30         | 81.62910.0051  | 雨槽护套左 | Left sheath                        |
| 31         | 81.62910.0052  | 雨槽护套右 | Right sheath                       |

F3000/F2000 驾驶室侧部部件  
Side Parts Of F3000/F2000 Cab

顶导流罩  
Top Deflector

补盲后视镜  
Blind-Spot Mirror

角窗玻璃  
Corner Window Glass

车门玻璃  
Door Glass

车门外开把手  
Door Handle

翼子板  
Front Fender

三级踏板  
Third Footboard

二级踏板  
Second Footboard

侧标志灯  
Side Identification Lamp

一级踏板  
First Footboard

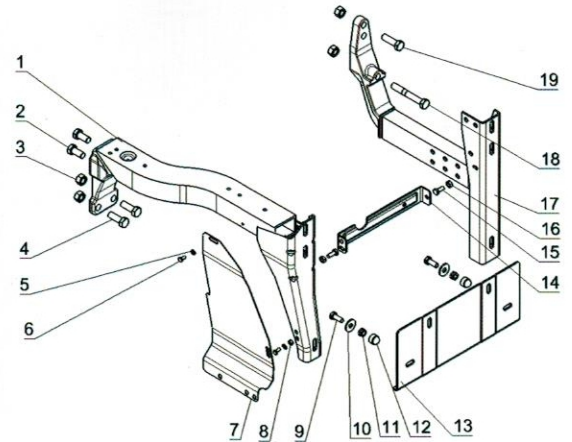


驾驶室部分台阶  
Boarding Step

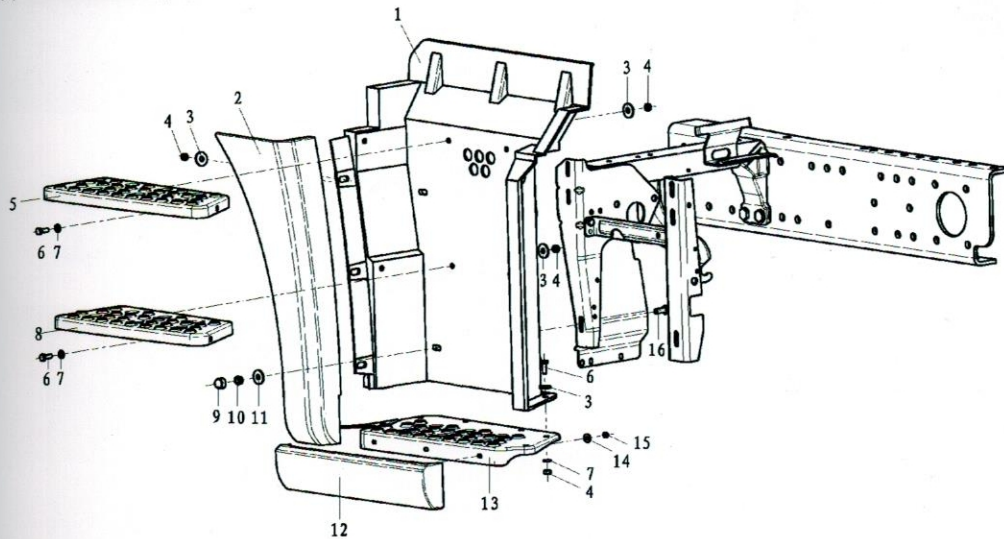
| 分类/Classify                                   | 件号/Part No.   | 主要技术状态             | Main Technical Status   |
|---|---------------|--------------------|---|
| 车门外把手<br>/Door Handle                         | 81.62641.6038 | 车门外把手              | Outside Door Handle   |
|   | SZ133000701   | 外手柄                | Outside Handle  |
| 补盲后视镜<br>/PASSENGER DOOR<br>BLIND-SPOT MIRROR | DZ13241770930 | 补盲后视镜              | Passenger Door Blind-Spot Mirror  |
|   | DZ13241770740 | 补盲后视镜/海湾七国         | Passenger Door Blind-Spot Mirror/For GCC Certification                    |
|   | DZ13241770094 | 下视镜                | Bottom View Mirror  |
| 车门玻璃<br>/Door Glass                           | DZ1643330013  | 手摇车门玻璃(左)          | Manual Door Glass/Left  |
|   | DZ1643330014  | 手摇车门玻璃(右)          | Manual Door Glass/Right   |
|   | DZ1643330011  | 车门玻璃(左)            | Door Glass/Left   |
|   | DZ1643330012  | 车门玻璃(右)            | Door Glass/Right  |
|   | DZ1643350011  | 角窗玻璃(左)            | Corner Window Glass/Left  |
|   | DZ1643350012  | 角窗玻璃(右)            | Corner Window Glass/Right   |
| 导流罩<br>/Deflector                             | DZ13241870100 | 导流罩/D、J驾驶室         | Top Deflector/D、J Cab   |
|   | 81.62900.6155 | 长导流罩/N驾驶室          | Long Deflector/N Cab  |
|   | DZ13241870061 | 左侧导流板              | Left Side Deflector   |
|   | DZ13241870062 | 右侧导流板              | Right Side Deflector  |
|   | 81.62910.0103 | 左侧导流板上段            | Left Deflector Upper Part   |
|   | 81.62910.0084 | 右侧导流板上段            | Right Deflector Upper Part  |
|   | 81.62900.6119 | 左侧导流板下段            | Left Deflector Lower Part   |
|   | DZ1643870050  | 右侧导流板下段            | Right Deflector Lower Part  |
| 翼子板<br>/Fender                                | DZ13241230411 | 左前翼子板/F3000 J、N驾驶室 | Left Front Fender/F3000/J、N Cab   |
|   | DZ13241230412 | 右前翼子板/F3000 J、N驾驶室 | Right Front Fender/F3000/J、N Cab  |
|   | DZ13241230415 | 左前翼子板/F3000 D驾驶室   | Left Front Fender/F3000/D Cab   |
|   | DZ13241230416 | 右前翼子板/F3000 D驾驶室   | Right Front Fender/F3000/D Cab  |
|   | DZ1640230215  | 左前翼子板/F2000        | Left Front Fender/F2000   |
|   | DZ1640230216  | 右前翼子板/F2000        | Right Front Fender/F2000  |
| 驾驶室部分台阶<br>/Footboard<br>On Cab               | DZ1640240297  | 左门台阶/公路车三级踏板       | Left Boarding Footboard/For Road Vehicle Three-stage Steps                |
|   | DZ1640240298  | 右门台阶/公路车三级踏板       | Right Boarding Footboard/For Road Vehicle Three-stage Steps               |
|   | DZ13241240425 | 左门台阶/软索铸铝/铸铝铰链     | Left Boarding Footboard/Soft Rope Aluminium Step Or Hinge Aluminium Step  |
|   | DZ13241240426 | 右门台阶/软索铸铝/铸铝铰链     | Right Boarding Footboard/Soft Rope Aluminium Step Or Hinge Aluminium Step |
|   | DZ13241240461 | 左门台阶/工程车两级踏步专用     | Left Boarding Footboard/For Engineering Vehicle Two-stage Steps           |
|   | DZ13241240462 | 右门台阶/工程车两级踏步专用     | Right Boarding Footboard/For Engineering Vehicle Two-stage Steps          |
| 上车踏板组件<br>/Footboard<br>Assembly              | DZ13241240901 | 铸铝上台阶              | Upper Cast Aluminium Footboard  |
|   | DZ13241240902 | 铸铝中台阶              | Middle Cast Aluminium Footboard   |
|   | DZ13241240920 | 铸铝F3000左下台阶/非金属保险杠 | Left Lower Cast Aluminium Footboard/F3000/FRP Bumper                      |
|   | DZ13241240925 | 铸铝F3000右下台阶/非金属保险杠 | Right Lower Cast Aluminium Footboard/F3000/FRP Bumper                     |
|   | DZ13241240910 | 铸铝F2000左下台阶/非金属保险杠 | Left Lower Cast Aluminium Footboard/F2000/FRP Bumper                      |
|   | DZ13241240915 | 铸铝F2000右下台阶/非金属保险杠 | Right Lower Cast Aluminium Footboard/F2000/FRP Bumper                     |
|   | DZ13241240710 | 左下台阶/软索铸铝/金属保险杠    | Left Lower Footboard/Soft Rope Aluminium Step/Metal Bumper                |
|   | DZ13241240720 | 右下台阶/软索铸铝/金属保险杠    | Right Lower Footboard/Soft Rope Aluminium Step/Metal Bumper               |
|   | DZ13241240930 | 左下台阶/铸铝铰链/金属保险杠    | Left Lower Footboard/Hinge Aluminium Step/Metal Bumper                    |
|   | DZ13241240940 | 右下台阶/铸铝铰链/金属保险杠    | Right Lower Footboard/Hinge Aluminium Step/Metal Bumper                   |
| 侧标志灯/Lamp                                     | 81.25260.6101 | 侧标志灯               | Side Identification Lamp  |

## 左踏板支架 Left step bracket

| 序号<br>Item | 件号<br>Part No. | 名称<br>Name  | Name                             |
|------------|----------------|-------------|----------------------------------|
| 1          | DZ1640240280   | 左后踏板支架总成    | Left rear step bracket assembly  |
| 2          | Q151B1430TF2   | 六角头螺栓-细牙    | Hexagon head bolt - fine teeth   |
| 3          | Q341B14T13F2   | 1型六角螺母      | Type 1 hexagon nut               |
| 4          | Q151B1440TF2   | 六角头螺栓-细牙    | Hexagon head bolt - fine teeth   |
| 5          | Q40106         | 平垫圈         | Flat washer                      |
| 6          | Q150B0612      | 六角头螺栓       | Hexagon head bolt                |
| 7          | DZ1642240023   | 左后盖板        | Left rear cover                  |
| 8          | Q33206         | 2型全金属六角锁紧螺母 | Type 2 all metal hex lock nut    |
| 9          | Q150B1025      | 六角头螺栓       | Hexagon head bolt                |
| 10         | Q40210         | 大垫圈         | Big washer                       |
| 11         | 190003888730   | 六角自锁薄螺母     | Hexagon self-locking thin nut    |
| 12         | 88.96002.0027  | 盖 SW17      | Cover SW17                       |
| 13         | DZ13241240433  | 支撑板         | Support plate                    |
| 14         | 81.41890.0044  | 支座          | Bearing                          |
| 15         | Q150B0820      | 六角头螺栓       | Hexagon head bolt                |
| 16         | Q340B08        | 1型六角螺母      | Type 1 hexagon nut               |
| 17         | DZ1640240285   | 左前踏板支架总成    | Left front step bracket assembly |
| 18         | Q151B1495TF2   | 六角头螺栓-细牙    | Hexagon head bolt - fine teeth   |
| 19         | Q151B1445TF2   | 六角头螺栓-细牙    | Hexagon head bolt - fine teeth   |



## 左门台阶 Left door step



| 序号<br>Item | 件号<br>Part No. | 名称<br>Name    | Name   |
|------------|----------------|---------------|--|
| 1          | DZ1640240297   | 左门台阶          | Left door step                               |
| 2          | DZ13241240423  | 左上装饰板         | Upper left decorative plate                  |
| 3          | Q40208         | 大垫圈           | Big washer                                   |
| 4          | Q340B08        | 1型六角螺母        | Type 1 hexagon nut                           |
| 5          | DZ13241240901  | 铸铝上台阶         | Cast aluminum upper step                     |
| 6          | Q150B0822      | 六角头螺栓         | Hexagon head bolt                            |
| 7          | Q40108         | 平垫圈           | Flat washer                                  |
| 8          | DZ13241240902  | 铸铝中台阶         | Cast aluminum middle step                    |
| 9          | 88.96002.0027  | 盖形螺母          | Cover nut                                    |
| 10         | Q33410         | I型全金属六角锁紧螺母   | All metal hexagonal lock nut type I          |
| 11         | Q40210         | 大垫圈           | Big washer                                   |
| 12         | DZ13241240421  | 左下装饰板         | Lower left decorative plate                  |
| 13         | DZ13241240920  | 铸铝F3000左下台阶总成 | Cast aluminum F3000 left lower step assembly |
| 14         | Q40206         | 大垫圈           | Big washer                                   |
| 15         | Q340B06        | 1型六角螺母        | Type 1 hexagon nut                           |
| 16         | Q150B1025      | 六角头螺栓         | Hexagon head bolt                            |

F3000/F2000 驾驶室后部部件  
Rear Parts Of F3000/F2000 Cab



工作灯  
Work Lamp

进气扁管  
Intake-tube

后窗玻璃  
Rear Window Glass

膨胀水箱  
Expansion Tank

喷淋水箱  
Glass Water Tank

进气波纹管  
Intake Bellows

| 分类/Classify                | 件号/Part No.   | 主要技术状态           | Main Technical Status                          |
|----------------------------|---------------|------------------|--|
| 后窗玻璃<br>/Rear Window Glass | 81.62750.0028 | 后窗玻璃             | Rear Window Glass                              |
|                            | 81.96121.0023 | 后窗玻璃密封条          | Rear Window Glass Seal                         |
| 进气扁管<br>/Intake-tube       | DZ93259190219 | 波纹管/中置空滤器        | Bellows/Mid-mounted Air Filter                 |
|                            | DZ93259190006 | 波纹管              | Bellows  |
|                            | DZ93319190002 | 波纹管/N、J驾驶室/油浴、沙滤 | Bellows/J、N Cab/For Desert&Oil Bath Air Filter |
|                            | DZ93259190218 | 进气扁管             | Intake-tube                                    |
|                            | DZ93259190005 | 进气扁管/沙滤、油浴式      | Intake-tube/For Desert&Oil Bath Air Filter     |
| 膨胀箱/Expansion Tank         | DZ9114530260  | 膨胀箱/后置           | Expansion Tank/Rear-mounted                    |
| 喷淋水箱                       | DZ13241860014 | 喷淋水箱             | Glass Water Tank                               |
| Glass Water Tank           | 81.26481.0053 | 驾驶室后蓄水箱          | Glass Water Tank On Cab Rear Wall              |
| 工作灯Work                    | DZ9100726610  | 工作灯              | Work Lamp                                      |

F3000/F2000 驾驶室前面罩部件  
Radiator Grille Assembly Of F3000/F2000

气弹簧  
Air Spring

雨刮电机  
Wiper Motor

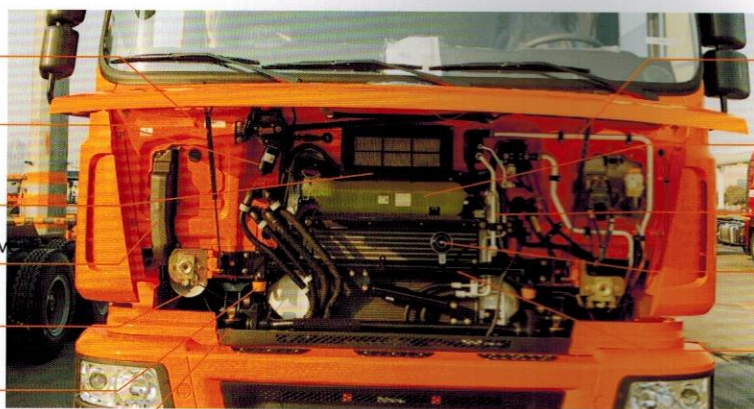
过滤器壳体  
Filter Housing

线束保护罩  
Junction Box Cover

气喇叭  
Air Horn

缓冲块  
Bumper Block

气压弹簧  
Air Shock Absorber



气弹簧  
Air Spring

膨胀水箱  
Expansion Tank

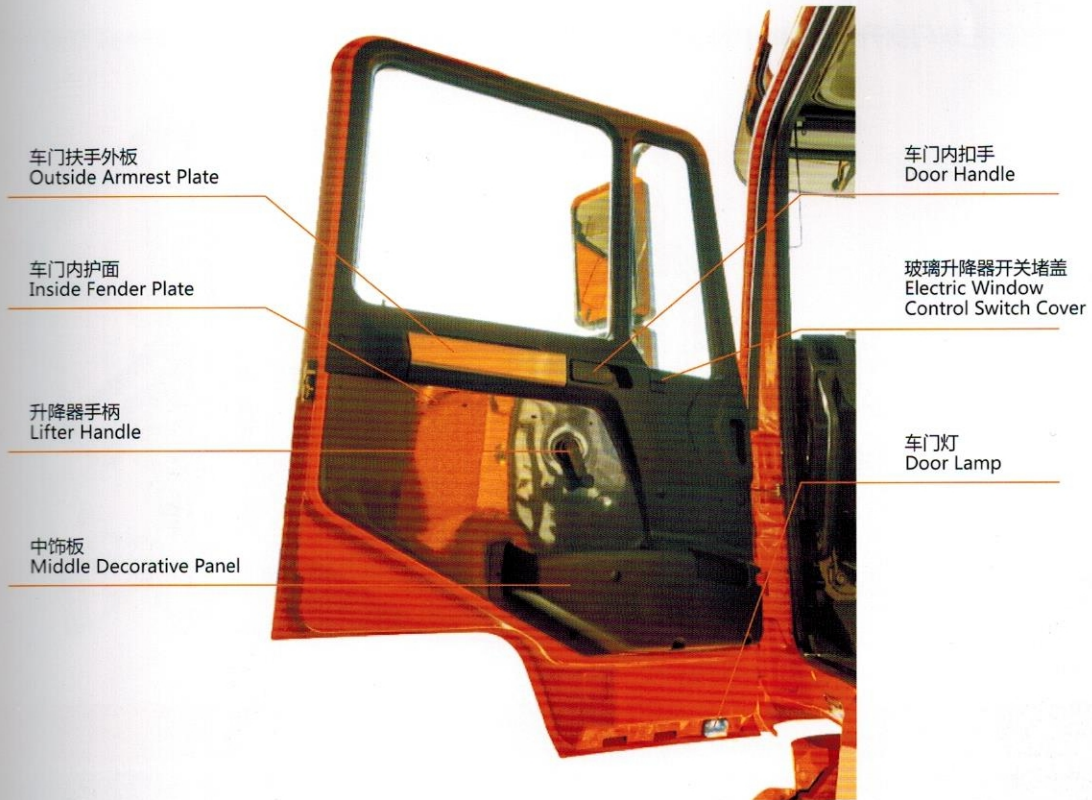
暖风铝管  
Aluminium Heater Pipe

电喇叭  
Klaxon

横梁  
Cross Member

| 分类/Classify                           | 件号/Part No.   | 主要技术状态 | Main Technical Status        |
|---------------------------------------|---------------|--------|------------------------------|
| 前面罩附件<br>/Radiator Grille<br>Assembly | DZ95189711410 | 电喇叭    | Klaxon                       |
|                                       | DZ93189270001 | 气喇叭    | Air Horn                     |
|                                       | DZ13241110033 | 气压弹簧   | Air Spring                   |
|                                       | 81.25425.6002 | 线束保护罩  | Junction Box Cover           |
|                                       | DZ13241841430 | 过滤器壳体  | Filter Shell                 |
|                                       | DZ13241430536 | 缓冲块    | Bumper Block                 |
|                                       | 81.26401.6130 | 雨刮电机   | Wiper Motor                  |
|                                       | DZ14251841006 | 暖风铝管   | Heater Water Pipe            |
|                                       | DZ13241841703 | 暖风铝管   | Heater Pipe                  |
|                                       | DZ13241841704 | 暖风铝管   | Heater Pipe                  |
|                                       | DZ13241841705 | 暖风铝管   | Heater Pipe                  |
|                                       | 81.41722.6051 | 空气弹簧   | Air Shock Absorber           |
|                                       | DZ13241430150 | 液压减振器  | Hydraulic Shock Absorber     |
|                                       | SZ197000001   | 横梁/左置  | Cross Member/LHD             |
|                                       | DZ13241970001 | 横梁/右置  | Cross Member/RHD             |
|                                       | DZ97259533010 | 膨胀箱/前置 | Expansion Tank/Front-mounted |

F3000/F2000 车门扶手  
Door Accessory of F3000/F2000

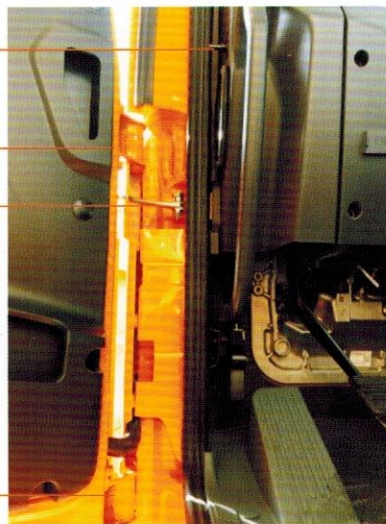


门灯开关  
Door Lamp Switch

车门铰链  
Door Hinge

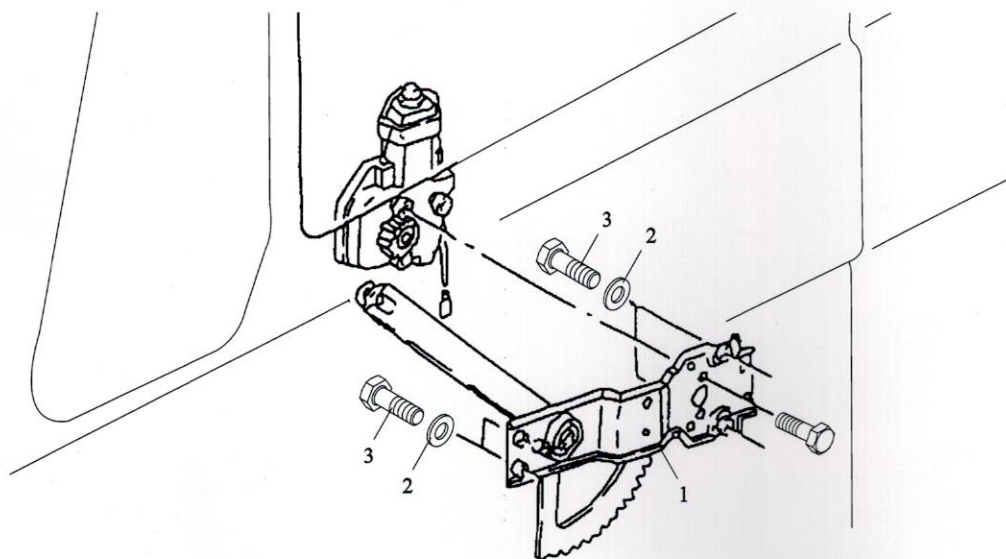
车门止动器  
Door Stop

车门铰链  
Door Hinge



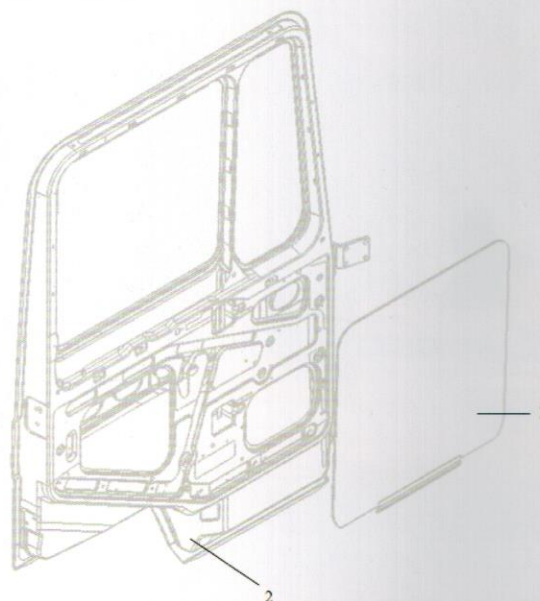
| Quality | 件号/Part No.   | 主要技术状态      | Main Technical Status                |
|---------|---------------|-------------|--------------------------------------|
|         | 81.25505.0989 | 门灯开关        | Door Lamp Switch                     |
|         | DZ13241330210 | 左中饰板        | Left Middle Decorative Panel         |
|         | DZ13241330220 | 右中饰板        | Right Middle Decorative Panel        |
|         | DZ13241330250 | 左车门内护面      | Inner Fender Plate Of Left Door      |
|         | DZ13241330260 | 右车门内护面      | Inner Fender Plate Of Right Door     |
|         | DZ93189721310 | 车门灯 (LED)   | Door Lamp/LED                        |
|         | 81.62670.6011 | 车门止动器       | Door Stop                            |
|         | DZ13241330020 | 车门铰链        | Door Hinge                           |
|         | DZ13241330230 | 左车门扶手       | Left Door Armrest                    |
|         | DZ13241330240 | 右车门扶手       | Right Door Armrest                   |
|         | DZ13241330131 | 车门扶手外板 (左)  | Left Door Armrest Outside Plate      |
|         | DZ13241330132 | 车门扶手外板 (右)  | Right Door Armrest Outside Plate     |
|         | 81.62641.6052 | 升降器手柄       | Lift Handle                          |
|         | DZ95189586602 | 电动玻璃升降器翘板开关 | Electric Window Control Switch       |
|         | DZ95189584661 | 玻璃升降器开关堵盖   | Electric Window Control Switch Cover |

电动控制的左车门窗升降器 **Door Window Lifter Left Electrically Operated**



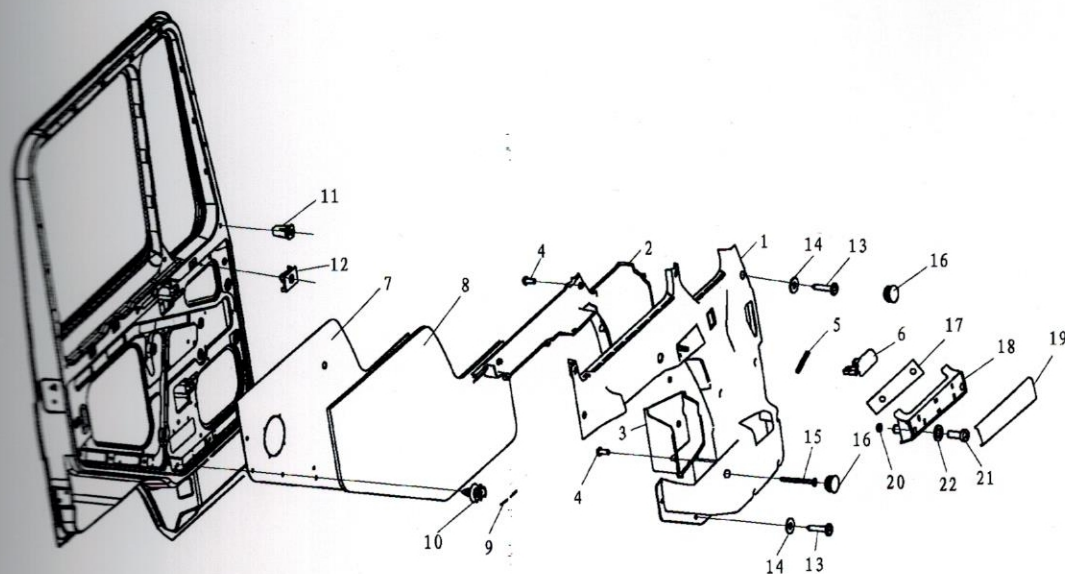
| 序号<br>Item | 件号<br>Part No. | 名称                    | Name                         |
|------------|----------------|-----------------------|------------------------------|
| 1          | DZ13241330170  | 左车门玻璃升降器 ( 电动-马步奇电机 ) | Left window lifter(electric) |
| 2          | 06.15013.6109  | 平垫圈                   | Flat washer                  |
| 3          | 06.02829.0010  | 盘头螺钉                  | Pan-head screw               |

左车门及左车门玻璃 **Door And Door Glass**



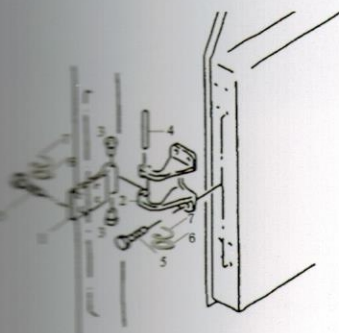
| 序号<br>Item | 件号<br>Part No. | 名称      | Name              |
|------------|----------------|---------|-------------------|
| 1          | DZ1643330011   | 车门玻璃(左) | Door glass (left) |
| 2          | DZ13241210090  | 左车门     | Left door         |

## 左车门部件 Door Covering Left



| 序号<br>Item | 件号<br>Part No. | 名称        | Name                                       |
|------------|----------------|-----------|--|
| 1          | DZ13241330210  | 左中饰板总成    | Left center trim assembly                  |
| 2          | Q2724295       | 盘头螺钉      | Pan head screw                             |
| 3          | 81.97610.0288  | 拉簧        | Tension spring                             |
| 4          | DZ13241330250  | 左车门内护面总成  | Left door inner guard assembly             |
| 5          | 09.81010.0017  | 工业钉书针     | Industrial staples                         |
| 6          | 81.62640.0092  | 夹箍        | Clip                                       |
| 7          | 81.90685.0374  | 塑料方螺母     | Plastic square nut                         |
| 8          | 06.13189.0056  | 簧片螺母      | Reed nut                                   |
| 9          | 06.07159.0008  | 盘头螺钉      | Pan head screw                             |
| 10         | Q40205         | 大垫圈       | Big washer                                 |
| 11         | 06.07159.0010  | 自攻螺钉      | Self tapping screw                         |
| 12         | DZ13241330415  | 堵塞        | Block                                      |
| 13         | DZ13241330230  | 左车门扶手总成   | Left door handrail assembly                |
| 14         | DZ13241330131  | 车门扶手外板(左) | Door rail outer panel (left)               |
| 15         | Q2726316       | 十字槽盘头自攻螺钉 | Cross recessed pan head self tapping screw |
| 16         | Q40108         | 平垫圈       | Flat washer                                |

## 左车门铰链和右车门铰链 Left door hinge and right door hinge



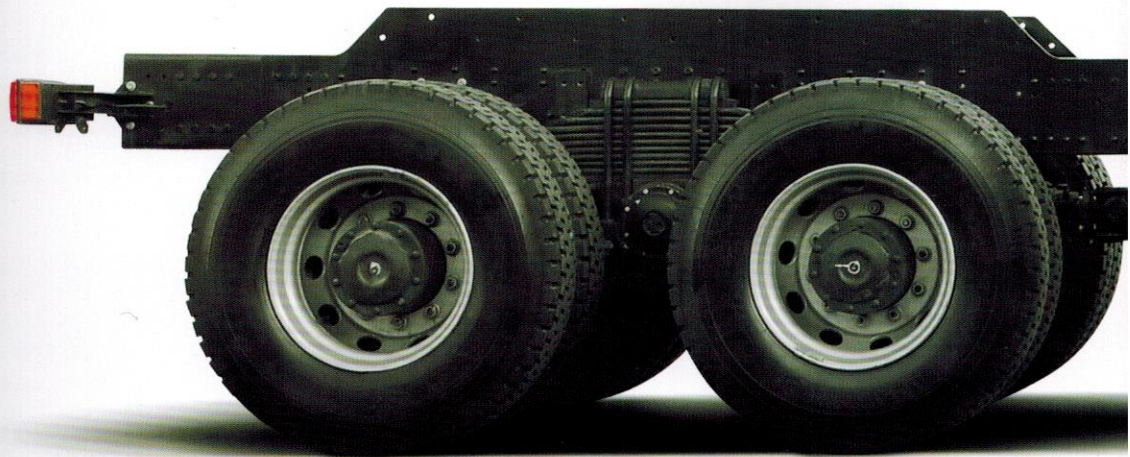
| 序号<br>Item | 件号<br>Part No. | 名称     | Name          |
|------------|----------------|--------|---------------|
| 1          | DZ13241330022  | 铰链零件II | Hinge part 2  |
| 2          | DZ13241330021  | 铰链零件I  | Hinge part 1  |
| 3          | 81.62690.0046  | 衬套     | Bush          |
| 4          | 81.62691.0007  | 铰链轴    | Hinge pin     |
| 5          | Q150B0825T1F3  | 六角螺栓   | Hex bolt      |
| 6          | Q40108         | 平垫圈    | Flat washer   |
| 7          | Q40308         | 弹簧垫圈   | Spring washer |

# SHACMAN

Spare Parts Manual

---





# Hande Axle 车桥

1. 汉德 MAN7.5吨 转向轴 Hande MAN7.5T Steering Axle(HDM7.5)
2. 汉德 MAN9.5吨 转向轴 Hande MAN9.5T Steering Axle(HDZ9.5)
3. 汉德 13吨/16吨 STR驱动桥 Hande 13T/16T STR Driving Axle(HDS300)
4. 汉德 13吨/16吨 MAN驱动桥 Hande 13T/16T MAN Driving Axle(HDZ300)
5. 汉德 16吨 MAN驱动桥 Hande 16T MAN Driving Axle(HDM300)



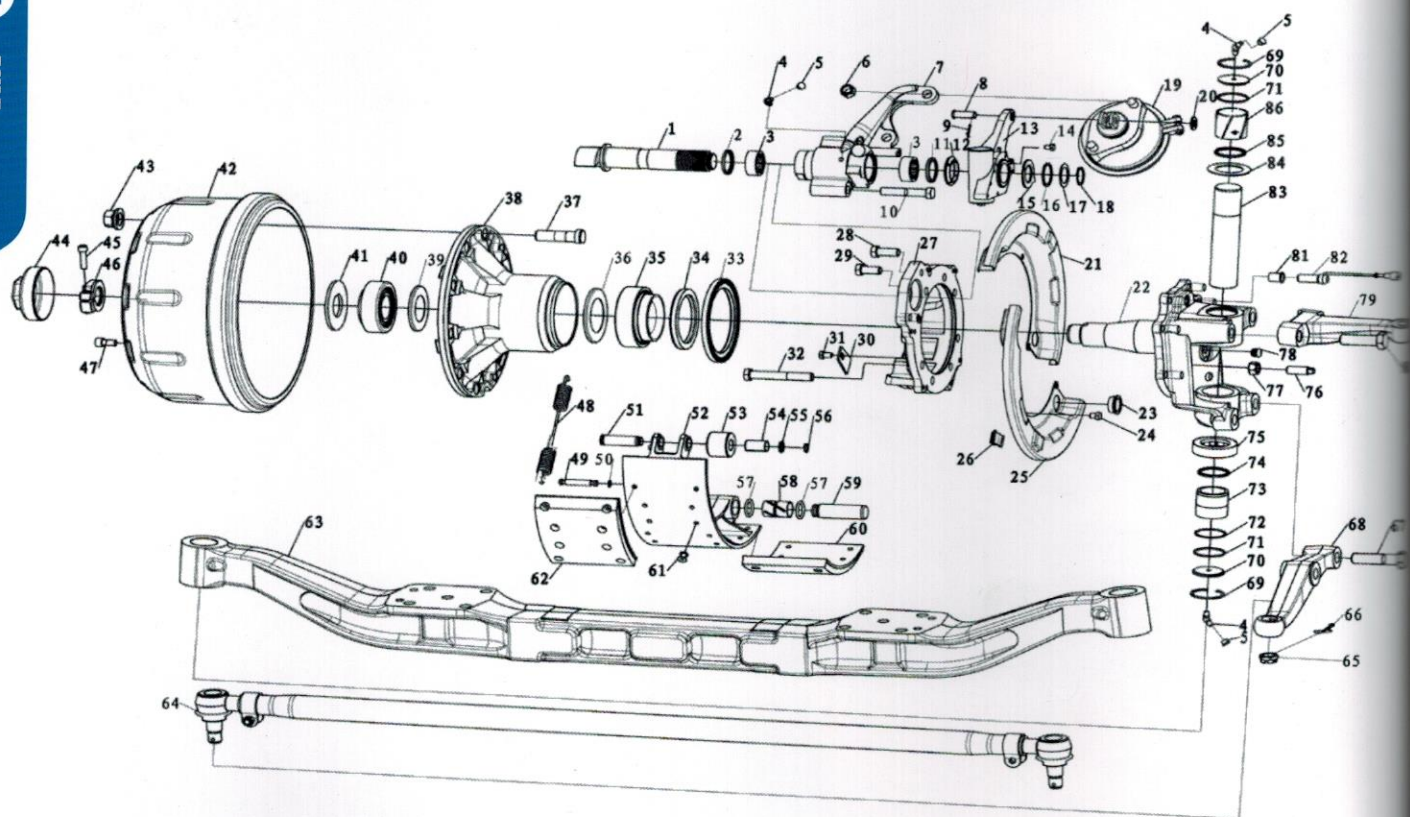
# 汉德 MAN7.5吨 转向轴 Hande MAN7.5T Steering Axle(HDM7.5)



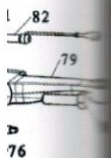
车桥

44

AXLE

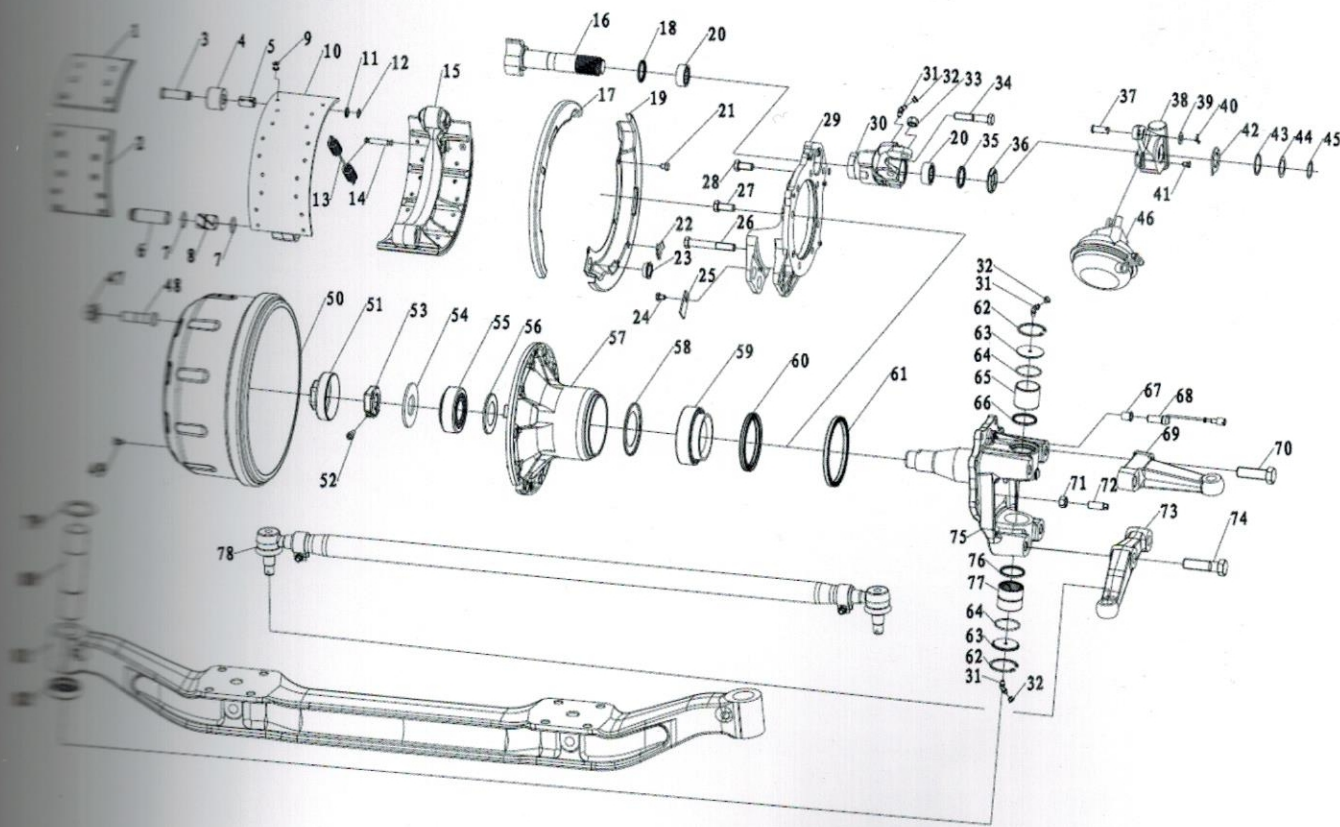
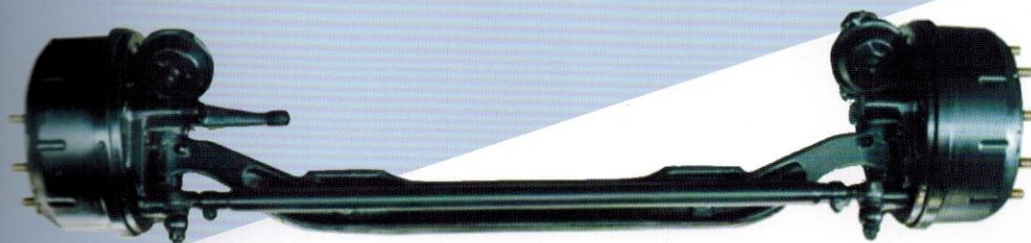


| 序号<br>Item | 件号<br>Part No. | 名称           | Name                                  |
|------------|----------------|--------------|---------------------------------------|
| 1          | 81.50301.0223  | 制动凸轮轴 (左)    | Brake camshaft (left)                 |
|            | 81.50301.0224  | 制动凸轮轴 (右)    | Brake camshaft (right)                |
| 2          | 81.96502.6040  | 轴密封圈         | Axle packing ring                     |
| 3          | 81.93404.6005  | 滚针轴承         | Needle bearing                        |
|            | DZ9112440093   | 衬套           | Bush                                  |
| 4          | 190003963114   | 米制锥螺纹滑脂嘴     | Grease nipple                         |
| 5          | 199000520096   | 保护罩          | Protect cover                         |
| 6          | Q341B16F6      | 1型六角螺母-细牙    | Hex nut                               |
| 7          | 81.50310.0313  | 分泵支架(左)      | Air-chamber bearer ( left )           |
|            | 81.50310.0312  | 分泵支架(右)      | Air-chamber bearer ( right )          |
|            | DZ9112440091   | 分泵支架(左)      | Air-chamber bearer ( left )           |
|            | DZ9112440092   | 分泵支架(右)      | Air-chamber bearer ( right )          |
| 8          | 06.21569.0077  | 带头销钉(U型夹销)   | U clip pin                            |
| 9          | Q5004025       | 开口销          | Cotter pin                            |
| 10         | Q151B1690TF2   | 六角头螺栓        | Hex bolt                              |
| 11         | 81.96502.6039  | 轴密封圈         | Axle packing ring                     |
| 12         | 81.91710.0163  | 隔套           | Bushing                               |
| 13         | 81.50610.6231  | 自动间隙调整臂      | Automatic clearance adjusting arm     |
|            | DZ9112440094   | 手动间隙调整臂      | Manual clearance adjusting arm        |
| 14         | Q150B0812      | 六角头螺栓        | Hex bolt                              |
| 15         | 81.90711.0714  | 指示片          | Indicating plate                      |
| 16         | 81.90711.0705  | 调整垫片         | Adjusting washer                      |
|            | 81.90711.0706  | 调整垫片         | Adjusting washer                      |
|            | 81.90711.0707  | 调整垫片         | Adjusting washer                      |
| 17         | 81.90701.0769  | 垫片           | Washer                                |
| 18         | Q43134         | 轴用弹性挡圈       | Circlip for axle                      |
| 19         | HD95009360001  | 膜片制动气室24 (左) | Brake air-chamber 24(left)            |
|            | HD95009360002  | 膜片制动气室24 (右) | Brake air-chamber 24(right)           |
| 20         | Q40114         | 垫圈           | Washer                                |
| 21         | 81.50101.0224  | 防尘罩 (右)      | Dust cap (right)                      |
| 22         | 81.44201.0143  | 转向节 (左)      | Steering knuckle ( left )             |
|            | 81.44201.0144  | 转向节 (右)      | Steering knuckle (right)              |
| 23         | 81.96002.0098  | 密封堵          | Seal plug                             |
| 24         | Q150B1012      | 六角头螺栓        | Hex bolt                              |
| 25         | 81.50101.0223  | 防尘罩 (左)      | Dust cap (left)                       |
| 26         | 81.96002.0075  | 密封堵          | Seal plug                             |
| 27         | 81.50202.0108  | 制动底板         | Brake floor                           |
| 28         | Q151B1640TF2   | 六角头螺栓        | Hex bolt                              |
| 29         | Q151B1635TF2   | 六角头螺栓        | Hex bolt                              |
| 30         | 81.90801.0225  | 护板           | Protection block                      |
| 31         | Q184A1018TF2   | 六角法兰面螺栓      | Hex flange surfaces bolt              |
| 32         | Q151B16120TF2  | 六角头螺栓        | Hex bolt                              |
| 33         | 81.52403.0008  | ABS脉冲齿圈      | ABS pulse gear ring                   |
| 34         | 81.96502.6045  | 轴密封圈         | Seal ring for axle                    |
| 35         | 81.93420.0074  | 圆锥滚子轴承       | Radial-row-steep roller bearing       |
| 36         | HD90009410005  | 挡油罩          | Oil-proofing cover                    |
| 37         | H150A2284AZF3  | 车轮螺栓         | Wheel bolt                            |
| 38         | HD90009410040  | 前轮毂          | Front wheel hub                       |
| 39         | HD90009410004  | 挡油罩          | Oil-proofing cover                    |
| 40         | HD95009410007  | 圆锥滚子轴承       | Tapered roller bearing                |
| 41         | 81.44215.0016  | 止推垫圈         | Stop washer                           |
| 42         | 81.50110.0232  | 制动鼓          | Brake drum                            |
| 43         | 190003884160   | 车轮螺母         | Wheel nut                             |
| 44         | 81.44312.0009  | 轮毂帽          | Wheel hub cap                         |
| 45         | Q218B1040TF2   | 内六角圆柱头螺钉     | Hex cylinder screw                    |
| 46         | 81.92901.0066  | 锁紧螺母         | Locknut                               |
| 47         | Q2541020       | 十字槽沉头螺钉      | Cross recessed countersunk head screw |
| 48         | 81.97610.0115  | 回位弹簧         | Return spring                         |
|            | DZ95009440015  | 回位弹簧         | Return spring                         |
| 49         | 81.50211.0018  | 回位弹簧销        | Return spring pin                     |
|            | DZ95009440010  | 回位弹簧销        | Return spring pin                     |



| 序号<br>Item | 件号<br>Part No. | 名称            | Name                           |
|------------|----------------|---------------|--------------------------------|
| 50         | Q43112F3       | 轴用弹性挡圈        | Circlip for axle               |
| 51         | 81.50211.0030  | 销             | Pin                            |
| 52         | DZ95009440002  | 制动蹄           | Brake shoe                     |
|            | HD95009440006  | 制动蹄           | Brake shoe                     |
| 53         | 81.50213.0013  | 滚轮            | Roller                         |
| 54         | 81.93021.0220  | 衬套            | Bush                           |
| 55         | 06.15113.2615  | 垫圈            | Washer                         |
| 56         | 190003933072   | 轴用弹性挡圈        | Circlip for axle               |
| 57         | 81.96501.0831  | 密封圈           | Seal ring                      |
| 58         | DZ95009440001  | 衬套            | Bush                           |
| 59         | 81.50212.0032  | 制动蹄销          | Brake shoe pin                 |
| 60         | 81.50221.0540  | 下制动摩擦片        | Lower brake friction plate     |
| 61         | 81.92201.0109  | 空心铆钉          | Hollow rivet                   |
| 62         | 81.50221.0535  | 上制动摩擦片        | Upper brake friction plate     |
| 63         | HD95009410083  | 前轴            | Front axle                     |
| 64         | 81.46711.6725  | 转向横拉杆         | Steering cross rod             |
| 65         | 81.90610.0015  | 六角开槽螺母        | Hex slit bolt                  |
| 66         | Q5005050       | 开口销           | Cotter pin                     |
| 67         | Q151B22100TF2S | 六角头螺栓—细牙      | Hex bolt                       |
| 68         | HD95009410031  | 转向梯形臂(左)      | Steering trapezium arm (left)  |
|            | HD95009410032  | 转向梯形臂(右)      | Steering trapezium arm (right) |
|            | 81.46701.0243  | 转向梯形臂(左)      | Steering trapezium arm (left)  |
|            | 81.46701.0244  | 转向梯形臂(右)      | Steering trapezium arm (right) |
| 69         | Q43058         | 孔用弹性挡圈        | Circlip for hole               |
| 70         | 81.90711.0941  | 密封盘           | Seal disc                      |
| 71         | 81.96501.0671  | O形密封圈         | Seal ring                      |
| 72         | 81.90770.0096  | 垫圈            | Washer                         |
| 73         | 81.93402.6003  | 滚针轴承          | Needle bearing                 |
| 74         | 81.96502.6044  | 轴密封圈          | Seal ring for axle             |
| 75         | 06.32819.0017  | 推力圆锥滚子轴承      | Tapered roller thrust bearing  |
| 76         | HD95009410000  | 限位螺钉          | Fixed bolt                     |
|            | HD95009410001  | 限位螺钉          | Fixed bolt                     |
| 77         | Q341B16        | 1型六角螺母-细牙     | Hex nut                        |
| 78         | 81.96002.0131  | 密封堵           | Seal plug                      |
| 79         | 81.46705.0267  | 转向节臂          | Steering knuckle arm           |
| 80         | Q151B2275TF2S  | 六角头螺栓—细牙      | Hex bolt                       |
| 81         | DZ9100580215   | 传感器衬套         | Sensor bush                    |
|            | 81.96002.0368  | 堵塞            | Seal plug                      |
| 82         | DZ9100580214   | 传感器           | Sensor                         |
| 83         | HD95009410054  | 转向节主销         | Steering knuckle pin           |
| 84         | HD95009410065  | 调整垫片          | Adjusting washer               |
|            | HD95009410066  | 调整垫片          | Adjusting washer               |
|            | HD95009410064  | 调整垫片          | Adjusting washer               |
|            | HD95009410067  | 调整垫片          | Adjusting washer               |
|            | HD95009410063  | 调整垫片          | Adjusting washer               |
|            | HD95009410068  | 调整垫片          | Adjusting washer               |
|            | HD95009410062  | 调整垫片          | Adjusting washer               |
|            | HD95009410069  | 调整垫片          | Adjusting washer               |
|            | HD95009410061  | 调整垫片          | Adjusting washer               |
|            | HD95009410070  | 调整垫片          | Adjusting washer               |
|            | HD95009410060  | 调整垫片          | Adjusting washer               |
|            | HD95009410071  | 调整垫片          | Adjusting washer               |
|            | HD95009410072  | 调整垫片          | Adjusting washer               |
|            | HD95009410073  | 调整垫片          | Adjusting washer               |
|            | HD95009410059  | 调整垫片          | Adjusting washer               |
|            | 85             | HD95009410055 | 轴密封圈                           |
| 86         | HD95009410053  | 上衬套           | Top bush                       |

# 汉德 MAN9.5吨 转向轴 Hande MAN9.5T Steering Axle(HDZ9.5)

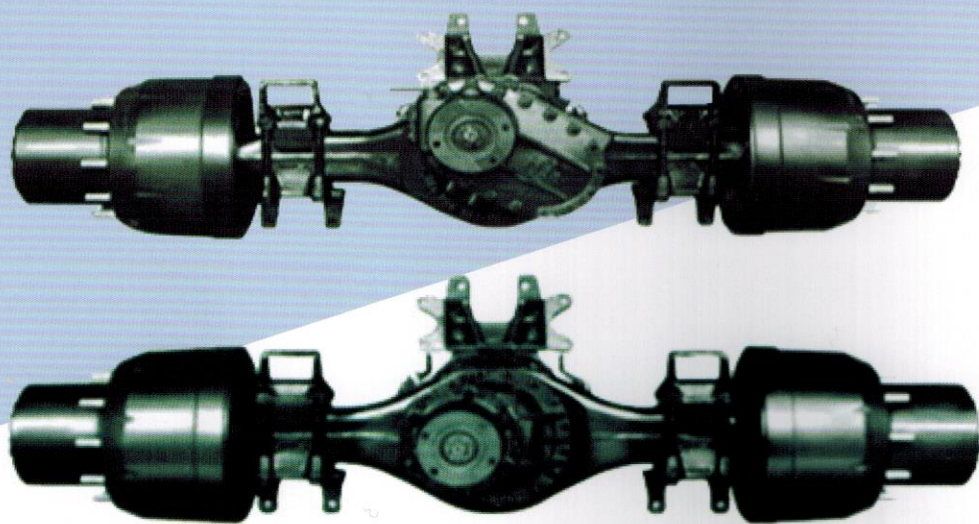


| 序号<br>Item | 件号<br>Part No. | 名称          | Name                              |
|------------|----------------|-------------|-----------------------------------|
| 1          | 81.50221.0535  | 上制动摩擦片      | Upper brake friction plate        |
|            | 81.50221.0849  | 上制动摩擦片      | Upper brake friction plate        |
| 2          | 81.50221.0540  | 下制动摩擦片      | Lower brake friction plate        |
|            | 81.50221.0948  | 下制动摩擦片      | Lower brake friction plate        |
| 3          | 81.50211.0030  | 销           | Pin                               |
| 4          | 81.50213.0013  | 滚轮          | Roller wheel                      |
| 5          | 81.93021.0220  | 衬套          | Bush                              |
| 6          | 81.50212.0032  | 制动蹄销        | Brake shoe pin                    |
| 7          | 81.96501.0831  | 密封圈         | Seal ring                         |
| 8          | DZ95009440001  | 衬套          | Bush                              |
| 9          | 81.92201.0109  | 空心铆钉        | Hollow rivet                      |
| 10         | DZ95009440002  | 制动蹄         | Brake shoe                        |
|            | HD90009440079  | 制动蹄         | Brake shoe                        |
| 11         | 06.15113.2615  | 垫圈          | Washer                            |
| 12         | 190003933072   | 轴用弹性挡圈      | Circlip for axle                  |
| 13         | 81.97610.0115  | 回位弹簧        | Return spring                     |
| 14         | 81.50211.0018  | 回位弹簧销       | Return pin                        |
| 15         | DZ95009440003  | 制动蹄总成       | Brake shoe assembly               |
|            | HD95009440007  | 制动蹄总成       | Brake shoe assembly               |
| 16         | 81.50301.0223  | 制动凸轮轴(左)    | Brake camshaft ( left )           |
|            | 81.50301.0224  | 制动凸轮轴(右)    | Brake camshaft ( right )          |
| 17         | 81.50101.0223  | 防尘罩(左)      | Dust cap (left)                   |
| 18         | 81.96502.6040  | 轴密封圈        | Axle Seal ring                    |
| 19         | 81.50101.0224  | 防尘罩(右)      | Dust cap (right)                  |
|            | 81.93404.6005  | 滚针轴承        | Needle bearing                    |
| 20         | DZ9112440093   | 衬套          | Bush                              |
| 21         | Q150B1012      | 六角头螺栓       | Hex bolt                          |
| 22         | 81.96002.0098  | 密封堵         | Seal plug                         |
| 23         | 81.96002.0075  | 密封堵         | Seal plug                         |
| 24         | Q184A1018TF2   | 六角法兰面螺栓     | Hex bolt                          |
| 25         | 81.90801.0225  | 护板          | Protection block                  |
| 26         | Q151B16125TF2  | 六角头螺栓-细牙    | Hex bolt                          |
| 27         | Q151B1645TF2   | 六角头螺栓-细牙    | Hex bolt                          |
| 28         | Q151B1640TF2   | 六角头螺栓-细牙    | Hex bolt                          |
| 29         | 81.50202.0108  | 制动底板        | Brake backing plate               |
| 30         | 81.50310.0313  | 分泵支架(左)     | Air-chamber bearer(left)          |
|            | 81.50310.0312  | 分泵支架(右)     | Air-chamber bearer(right)         |
| 31         | 190003963114   | 米制锥螺纹滑脂嘴    | Grease nozzle                     |
| 32         | 199000520096   | 保护罩         | Protect cover                     |
| 33         | 06.11241.0117  | 六角头螺母       | Hex nut                           |
| 34         | Q151B1690TF2   | 六角头螺栓-细牙    | Hex bolt                          |
| 35         | 81.96502.6039  | 轴密封圈        | Axle Seal ring                    |
| 36         | 81.91710.0163  | 隔套          | Bushing                           |
| 37         | 06.21569.0077  | 带头销钉(U型夹销)  | Pin axle                          |
| 38         | 81.50610.6231  | 自动间隙调整臂     | Automatic clearance adjusting arm |
| 39         | Q40114         | 垫圈          | Washer                            |
| 40         | Q5004025       | 开口销         | Cotter pin                        |
| 41         | Q150B0812      | 六角头螺栓       | Hex bolt                          |
| 42         | 81.90711.0714  | 指示片         | Indicating plate                  |
| 43         | 81.90711.0705  | 调整垫片        | Adjusting washer                  |
|            | 81.90711.0706  | 调整垫片        | Adjusting washer                  |
|            | 81.90711.0707  | 调整垫片        | Adjusting washer                  |
| 44         | 81.90701.0769  | 垫片          | Washer                            |
| 45         | Q43134         | 轴用弹性挡圈      | Circle for axle                   |
| 46         | HD95009360001  | 膜片制动气室24(左) | Brake air-chamber ( left )        |
|            | HD95009360002  | 膜片制动气室24(右) | Brake air-chamber ( right )       |
| 47         | 190003884160   | 车轮螺母        | Wheel nut                         |
| 48         | H150A2287AZF3  | 车轮螺栓        | Wheel bolt                        |
| 49         | Q2541020       | 十字槽沉头螺钉     | Bolt                              |

| 序号<br>Item   | 件号<br>Part No. | 名称               | Name                           |
|--------------|----------------|------------------|--------------------------------|
| 50           | 81.50110.0232  | 制动鼓              | Brake drum                     |
| 51           | 81.44312.0009  | 轮毂帽              | Wheel hub cap                  |
| 52           | Q218B1040TF2   | 内六角圆柱头螺钉         | Fixed bolt                     |
| 53           | 81.92901.0066  | 锁紧螺母             | Locknut                        |
| 54           | 81.44215.0016  | 止推垫圈             | Stop washer                    |
| 55           | HD95009410007  | 圆锥滚子轴承32310S     | Tapered roller bearing         |
| 56           | HD90009410004  | 挡油罩              | Oil-proofing cover             |
| 57           | HD90009410196  | 轮毂               | Front wheel hub                |
| 58           | HD90009410165  | 挡油罩              | Oil-proofing cover             |
| 59           | 06.32499.0190  | 圆锥滚子轴承           | Tapered roller bearing         |
| 60           | 06.56279.0340  | 轮毂油封             | Hub oil seal                   |
| 61           | 81.52403.0021  | ABS脉冲齿圈          | ABS pulse gear-ring            |
| 62           | Q43068         | 孔用弹性挡圈           | Circle for axle                |
| 63           | 81.44208.0009  | 密封盘              | Seal disc                      |
| 64           | DZ9100410406   | O型密封圈            | Q style Seal ring              |
| 65           | HD90009410358  | 上衬套              | Top bush                       |
| 66           | HD90009410360  | 轴密封圈             | Axle Seal ring                 |
| 67           | DZ9100580215   | 传感器衬套            | Sensor bushing                 |
|              | 81.96002.0368  | 堵塞               | Packing hulk head              |
| 68           | DZ9100580214   | 传感器              | Sensor                         |
| 69           | DZ9100410403   | 转向节臂             | Knuckle arm                    |
| 70           | Q151B2480TF2   | 六角头螺栓-细牙         | Hex bolt                       |
| 71           | Q341B16        | 1型六角螺母-细牙        | Hex nut                        |
| 72           | HD95009410002  | 限位螺钉             | Limiting screw                 |
| 73           | HD90009410191  | 转向梯形臂(左)         | Steering trapezium arm (left)  |
|              | HD90009410192  | 转向梯形臂(右)         | Steering trapezium arm (right) |
|              | 81.46701.0289  | 转向梯形臂(左)         | Steering trapezium arm (left)  |
|              | 81.46701.0290  | 转向梯形臂(右)         | Steering trapezium arm (right) |
| 74           | Q151B2495TF2   | 六角头螺栓-细牙         | Hex bolt                       |
| 75           | DZ9100410400   | 转向节(左)           | Steering knuckle(left)         |
|              | DZ9100410401   | 转向节(右)           | Steering knuckle(right)        |
| 76           | 06.56279.0343  | 轴密封圈             | Axle Seal ring                 |
| 77           | 06.33719.0097  | 滚针轴承             | Needle bearing                 |
| 78           | DZ9100430090   | 横拉杆总成            | Steering horizontal            |
| 79           | 81.90713.0679  | 调整垫片             | Adjusting washer               |
|              | 81.90713.0680  | 调整垫片             | Adjusting washer               |
|              | 81.90713.0681  | 调整垫片             | Adjusting washer               |
|              | 81.90713.0682  | 调整垫片             | Adjusting washer               |
|              | 81.90713.0683  | 调整垫片             | Adjusting washer               |
|              | 81.90713.0684  | 调整垫片             | Adjusting washer               |
|              | 81.90713.0685  | 调整垫片             | Adjusting washer               |
|              | 81.90713.0686  | 调整垫片             | Adjusting washer               |
|              | 81.90713.0687  | 调整垫片             | Adjusting washer               |
|              | DZ9100410412   | 调整垫片             | Adjusting washer               |
|              | DZ9100410413   | 调整垫片             | Adjusting washer               |
|              | DZ9100410414   | 调整垫片             | Adjusting washer               |
|              | DZ9100410415   | 调整垫片             | Adjusting washer               |
|              | DZ9100410416   | 调整垫片             | Adjusting washer               |
| DZ9100410417 | 调整垫片           | Adjusting washer |                                |
| DZ9100410418 | 调整垫片           | Adjusting washer |                                |
| DZ9100410419 | 调整垫片           | Adjusting washer |                                |
| 80           | HD90009410357  | 转向节主销            | Steering knuckle pin           |
| 81           | HD90009410375  | 前轴               | Front axle                     |
| 82           | DZ9003326025   | 推力圆锥滚子轴承         | Push tapered roller bearing    |

# 汉德 13吨/16吨 STR驱动桥

## Hande 13T/16T STR Driving Axle(HDS300)



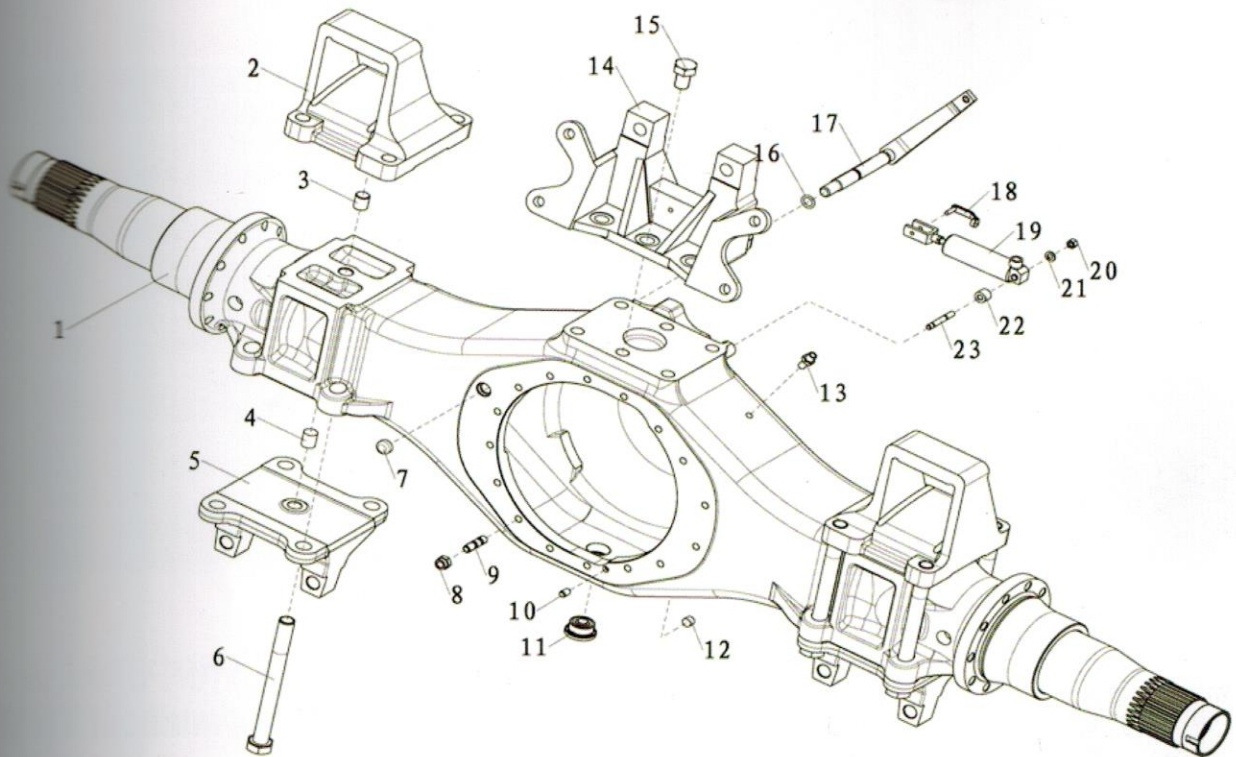
车桥

50

AXLE



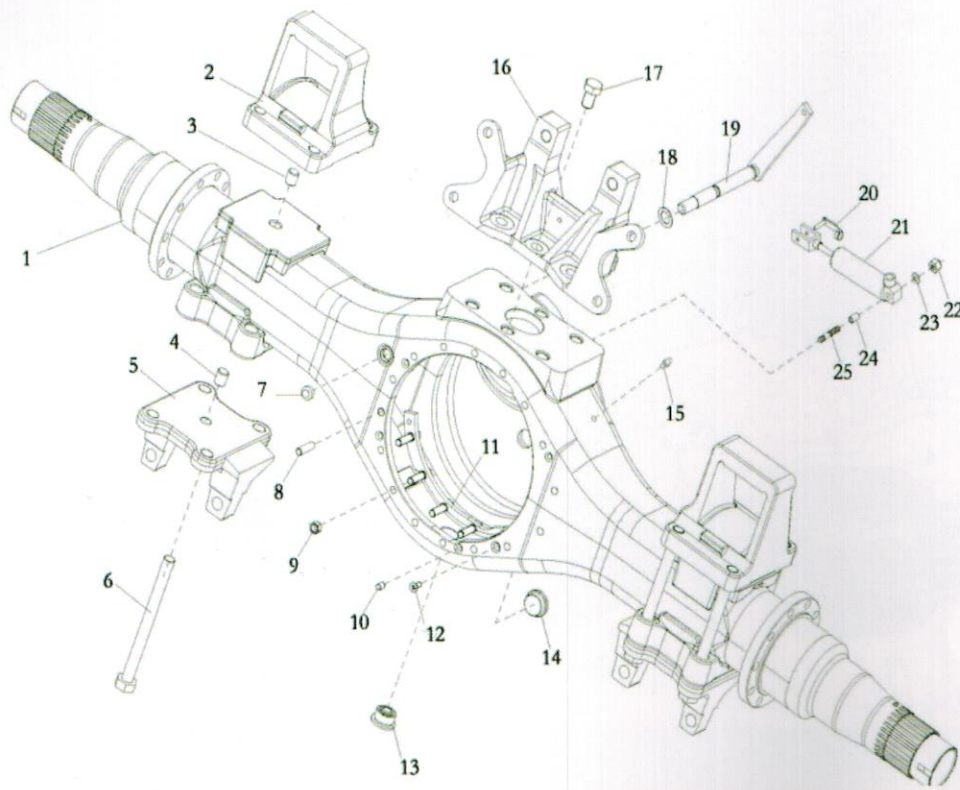
## 16吨中桥桥壳 16T Medium axle housing



| 序号<br>Item | 件号<br>Part No. | 名称          | Name                                  |
|------------|----------------|-------------|---------------------------------------|
| 1          | HD91149330025  | 贯通驱动桥壳总成    | Through driving axle housing assembly |
| 2          | DZ9114524031   | 后板簧左前支架     | Rear spring front left bracket        |
|            | DZ9114524032   | 后板簧右前支架     | Rear spring front right bracket       |
| 3          | 199014520256   | 销           | Pin                                   |
| 4          | 190003901905   | 圆柱销         | Cylindrical pin                       |
| 5          | DZ9114520305   | 左支架         | Bracket (left)                        |
|            | DZ9114520306   | 右支架         | Bracket (right)                       |
| 6          | DZ9114520116   | 六角头螺栓       | Hex bolt                              |
| 7          | 190003989290   | 碗形堵塞        | Bowling plug                          |
| 8          | 190003888457   | 自锁螺母        | Self-locking nut                      |
| 9          | 190003810631   | 双头螺柱        | Stud                                  |
| 10         | 190003901506   | 圆柱销         | Cylindrical pin                       |
| 11         | DZ9112330623   | 磁性螺塞总成      | Magnetic plug assembly                |
| 12         | 190003962021   | 锥螺纹内六角螺塞    | Plug                                  |
| 13         | 81.35306.0034  | 直通接头        | Straight joint                        |
| 14         | 199014340042   | 气室支架总成      | Chamber bracket                       |
| 15         | Q151B2040TF2   | 六角头螺栓       | Hex bolt                              |
|            | Q151B2030TF2   | 六角头螺栓       | Hex bolt                              |
| 16         | 1680M0320015   | O型垫圈        | O style seal ring                     |
| 17         | 199014330126   | 操纵杆总成       | Operation handle assembly             |
| 18         | 178000350055   | ES平头销       | Flat head pin                         |
| 19         | HD91129710001  | 电磁压力开关      | Pressure switch                       |
| 20         | Q33208         | 2型全金属六角锁紧螺母 | Hex nut                               |
| 21         | Q40108         | 平垫圈         | Plain washer                          |
| 22         | 161000060084   | 间隔衬套        | Spacer bush                           |
| 23         | Q1200850F3     | 双头螺柱        | Stud                                  |

# 13吨中桥桥壳

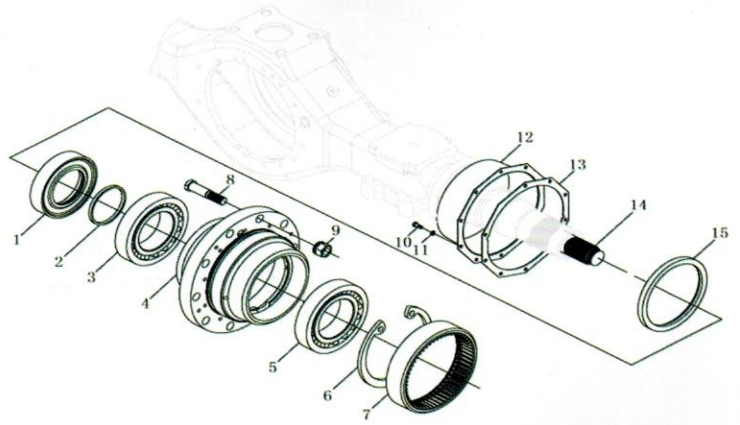
## 13T Medium axle housing



| 序号<br>Item | 件号<br>Part No. | 名称          | Name                               |
|------------|----------------|-------------|------------------------------------|
| 1          | HD91129330097  | 贯通驱动桥壳总成    | Rear axle housing assembly         |
| 2          | DZ9114520629   | 后板簧左前支架     | Spring bracket                     |
|            | DZ9114520630   | 后板簧右前支架     | Spring bracket                     |
| 3          | 199014520256   | 销           | Pin                                |
| 4          | 190003901905   | 圆柱销         | Pin                                |
| 5          | HD91129520007  | 左支架         | Bracket (left)                     |
|            | HD91129520008  | 右支架         | Bracket (right)                    |
| 6          | DZ9114520116   | 六角头螺栓       | Hex bolt                           |
| 7          | 190003989290   | 碗形堵塞        | Bowling plug                       |
| 8          | 190003810631   | 双头螺栓        | Stud                               |
| 9          | 190003888457   | 自锁螺母        | Self-locking nut                   |
| 10         | 190003901506   | 圆柱销         | Pin                                |
| 11         | 199014330147   | 弓形固定卡(上)    | Bow hold-open catch assembly(upon) |
|            | 199014330146   | 弓形固定卡(下)    | Bow hold-open catch assembly(down) |
| 12         | Q2540820       | 十字槽沉头螺钉     | Slit bolt                          |
| 13         | DZ9112330623   | 磁性螺塞总成      | Magnetic plug assembly             |
| 14         | 190003962021   | 锥螺纹内六角螺塞    | Plug                               |
| 15         | 81.35306.0034  | 直通接头        | Straight joint                     |
| 16         | 199014340042   | 气室支架总成      | Chamber bracket                    |
| 17         | Q151B2040TF2   | 六角头螺栓       | Hex bolt                           |
|            | Q151B2030TF2   | 六角头螺栓       | Hex bolt                           |
| 18         | 1680M0320015   | O型垫圈        | O style packing ring               |
| 19         | 199014330126   | 操纵杆总成       | Operation handle assembly          |
| 20         | 178000350055   | ES平头销       | Flat head lock                     |
| 21         | HD91129710001  | 电磁压力开关      | Pressure switch                    |
| 22         | Q33208         | 2型全金属六角锁紧螺母 | Hex nut                            |
| 23         | Q40108         | 平垫圈         | Plain washer                       |
| 24         | 161000060084   | 间隔衬套        | Space collar                       |
| 25         | Q1200850F3     | 双头螺栓        | Stud                               |

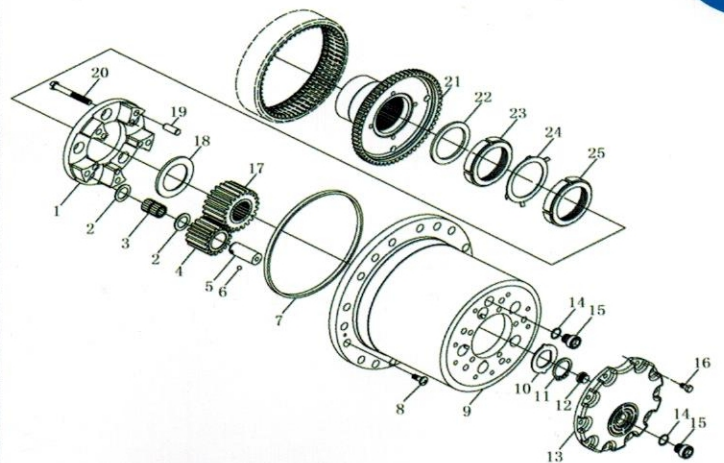
## 13吨/16吨中桥轮边 I 13T/16T Medium axle hub reduction I

| 序号<br>Item | 件号<br>Part No. | 名称      | Name                    |
|------------|----------------|---------|-------------------------|
| 1          | DZ91129340111  | 隔圈      | Spacer ring             |
| 2          | 199012340027   | 密封圈     | Seal ring               |
| 3          | 30222          | 圆锥滚子轴承  | Tapered roller bearing  |
| 4          | DZ91129340119  | 后轮毂     | Rear wheel hub assembly |
| 5          | 32222          | 圆锥滚子轴承  | Tapered roller bearing  |
| 6          | 188000420014   | 孔用挡圈    | Circlip for hole        |
| 7          | 199012340121   | 内齿圈     | Inner gear ring         |
| 8          | H150A22120BZF3 | 车轮螺栓    | Wheel bolt              |
| 9          | 190003884160   | 车轮螺母    | Wheel nut               |
| 10         | Q150B0816      | 六角头螺栓   | Hex bolt                |
| 11         | Q40308         | 弹簧垫圈    | Spring washer           |
| 12         | 199012340021   | 挡油罩     | Oil baffle cap          |
| 13         | 199012340020   | 密封垫片    | Seal ring               |
| 14         | DZ9112340221   | 半轴(左)   | Axle shaft(left)        |
| 15         | DZ9112340222   | 半轴(右)   | Axle shaft(right)       |
| 16         | DZ9112340227   | 轮毂油封(左) | Axle oil ring(L)        |
| 17         | DZ9112340228   | 轮毂油封(右) | Axle oil ring(R)        |



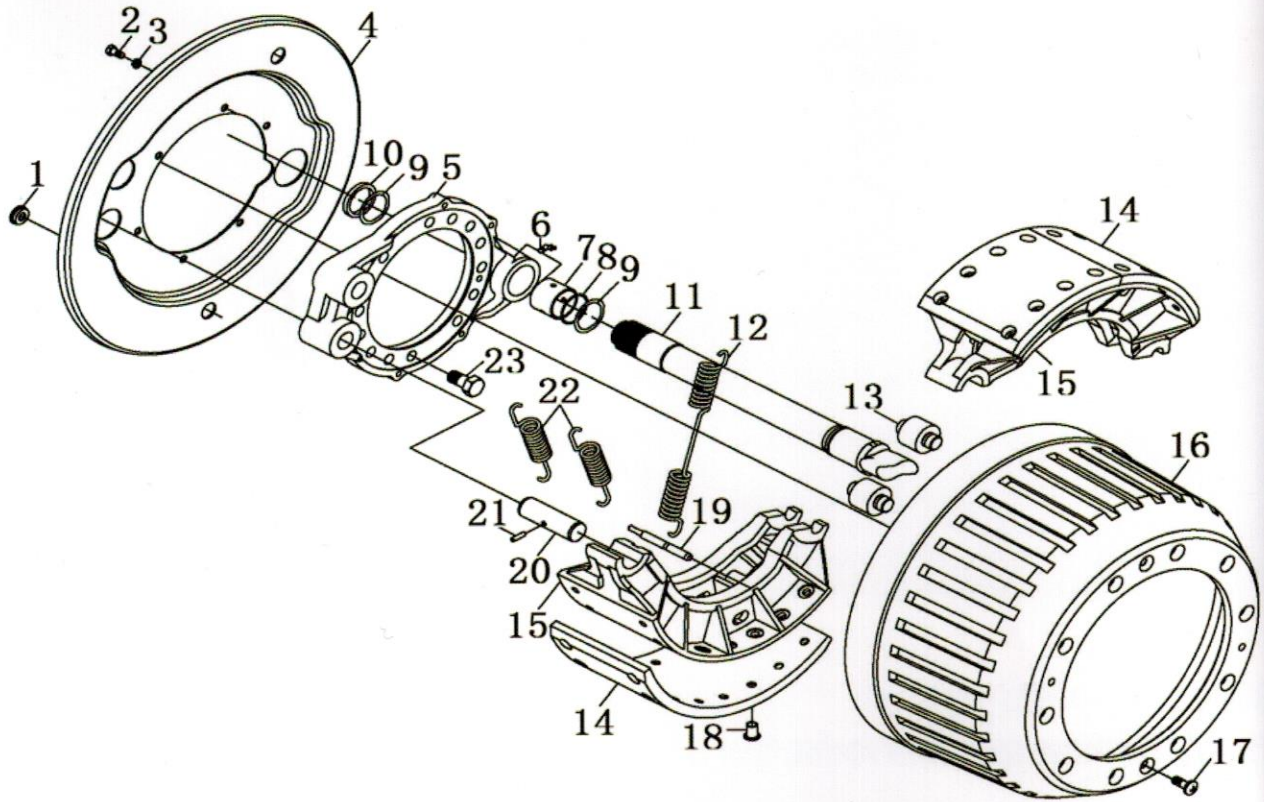
## 13吨/16吨中桥轮边 II 13T/16T Medium axle hub reduction II

| 序号<br>Item | 件号<br>Part No. | 名称       | Name                                  |
|------------|----------------|----------|---------------------------------------|
| 1          | 199112340018   | 行星架      | Planet carrier                        |
| 2          | HD91129340053  | 行星轮垫片    | Planet gear washer                    |
| 3          | DZ91129340090  | 滚针轴承     | Needle bearing                        |
| 4          | DZ91129340093  | 行星轮      | Planet gear                           |
| 5          | 199012340004   | 行星轮轴     | Planet gear axle                      |
| 6          | 190003330148   | 钢球       | Steel ball                            |
| 7          | 199012340029   | 密封圈      | Seal ring                             |
| 8          | Q2541025       | 十字槽沉头螺钉  | Cross recessed countersunk head screw |
| 9          | HD91129340026  | 轮边减速器壳   | Hub reducer case                      |
| 10         | 188000410097   | 垫圈       | Washer                                |
| 11         | 190003933351   | 轴用弹性挡圈   | Circlip for axle                      |
| 12         | 199012340011   | 端盖顶销     | End cap pin                           |
| 13         | DZ91129340025  | 端盖       | End cap                               |
| 14         | 190003098026   | 密封垫圈     | Seal ring                             |
| 15         | DZ9112346116   | 圆柱头内六角螺塞 | Square head tapered plug              |
| 16         | Q150B1014      | 六角头螺栓    | Hex bolt                              |
| 17         | 199012340005   | 太阳轮      | Sun gear                              |
| 18         | 199012340076   | 太阳轮垫圈    | Sun gear washer                       |
| 19         | 190003901704   | 圆柱销      | Pin                                   |
| 20         | Q151C1295TF2   | 六角头螺栓    | Hex bolt                              |
| 21         | DZ91129340106  | 齿圈支架     | Gear ring bearer                      |
| 22         | 188000420033   | 齿圈座环     | Gear ring seat ring                   |
| 23         | DZ9112340215   | 锁紧螺母     | Circle nut                            |
| 24         | 168000340015   | 止推垫圈     | Stop washer                           |
| 25         | DZ9112340216   | 锁紧螺母     | Locknut                               |



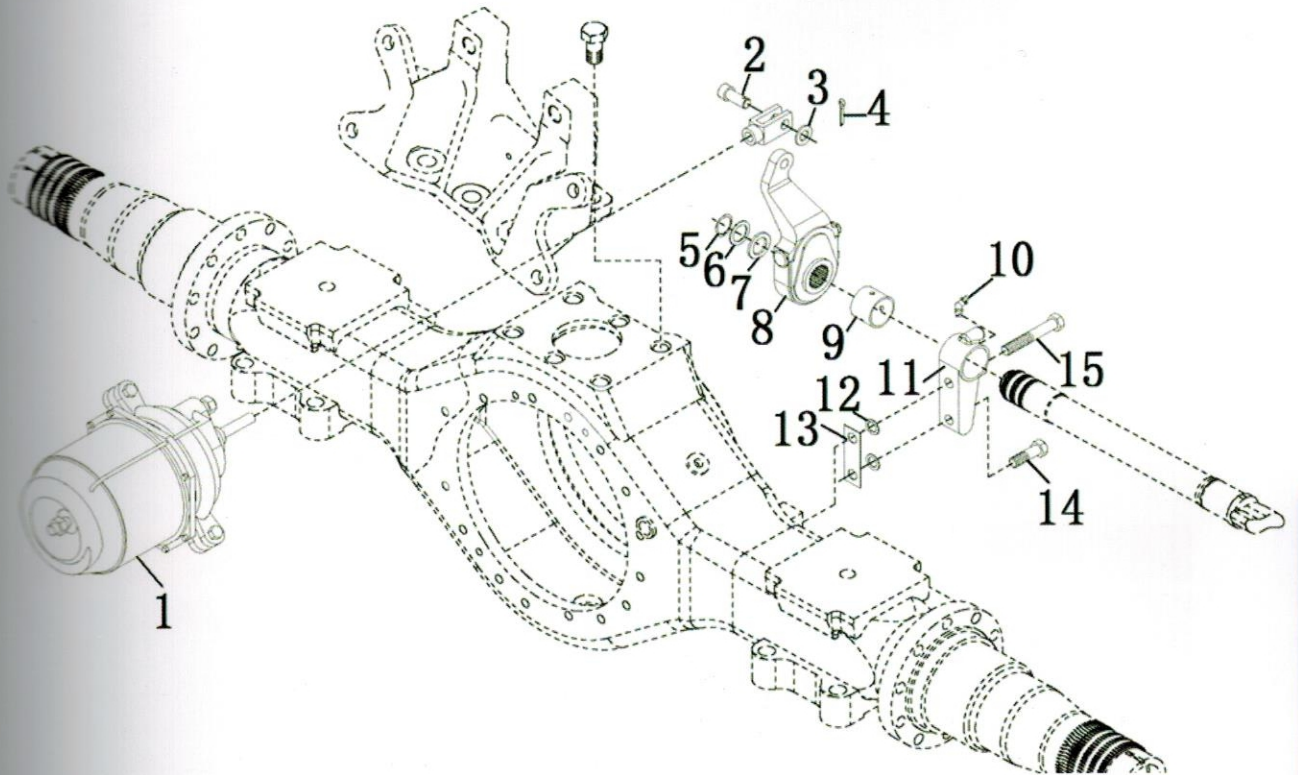
# 13吨/16吨中桥制动 I

## 13T/16T Medium axle brake I



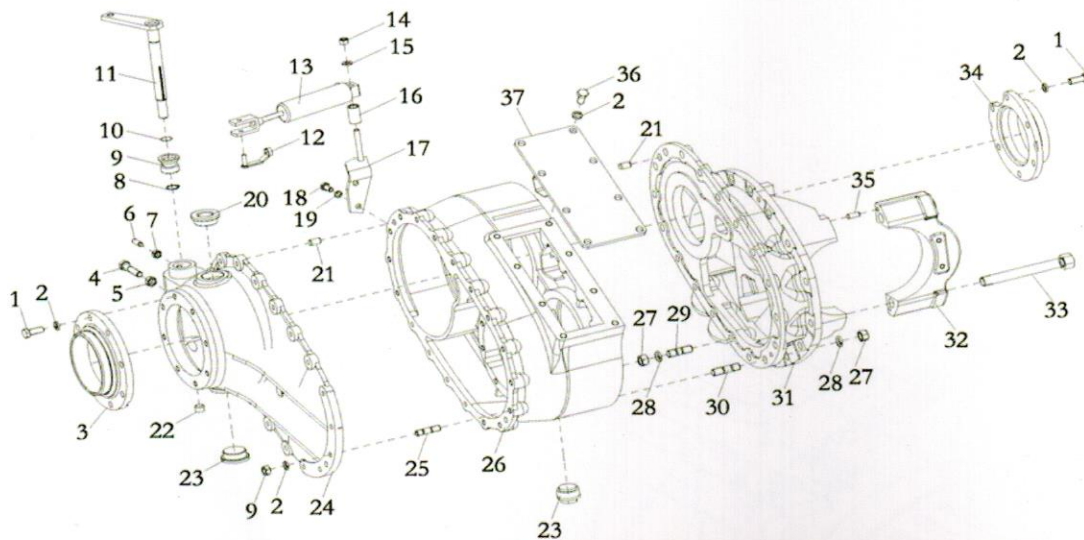
| 序号<br>Item | 件号<br>Part No. | 名称        | Name                          |
|------------|----------------|-----------|-------------------------------|
| 1          | 188000340037   | 密封塞       | Seal plug                     |
| 2          | Q150B0816      | 六角头螺栓     | Hex bolt                      |
| 3          | Q40308         | 弹簧垫圈      | Spring washer                 |
| 4          | 199112340012   | 制动器防尘罩    | Brake dust cap                |
| 5          | 199000340062   | 制动底板      | Brake floor                   |
| 6          | 190003963114   | 米制锥螺纹滑脂嘴  | Taper thread grease nipple    |
| 7          | 188000340017   | 衬套        | Bush                          |
| 8          | 188000340023   | O型密封圈     | O ring                        |
| 9          | 188000440010   | 附加垫片      | Washer                        |
| 10         | 190003933300   | 轴用弹性挡圈    | Circlip for axle              |
| 11         | DZ9112340056   | 制动凸轮轴 (左) | Brake camshaft (left)         |
| 11         | DZ9112340057   | 制动凸轮轴 (右) | Brake camshaft (right)        |
| 12         | 188000440012   | 回位弹簧      | Return spring                 |
| 13         | 199000340027   | 滚轮        | Roller wheel                  |
| 14         | 199000340068   | 制动摩擦片     | Brake friction plate          |
| 15         | 199000340061   | 制动蹄       | Brake shoe                    |
| 16         | HD91129340028  | 制动鼓       | Brake drum                    |
| 17         | Q2541020       | 十字槽盘头螺钉   | Cross recessed pan head screw |
| 18         | 189000340068   | 铆钉        | Rivet                         |
| 19         | 188000440032   | 回位弹簧销     | Return spring pin             |
| 20         | 199000340064   | 支销        | Backing pin                   |
| 21         | Q5280624       | 弹性圆柱销     | Elastic cylindrical pin       |
| 22         | 199112340049   | 回位弹簧      | Return spring                 |
| 23         | DZ9112340372   | 内六方圆柱头螺栓  | Hex bolt                      |

## 13吨/16吨中桥制动II 13T/16T Medium axle brake II



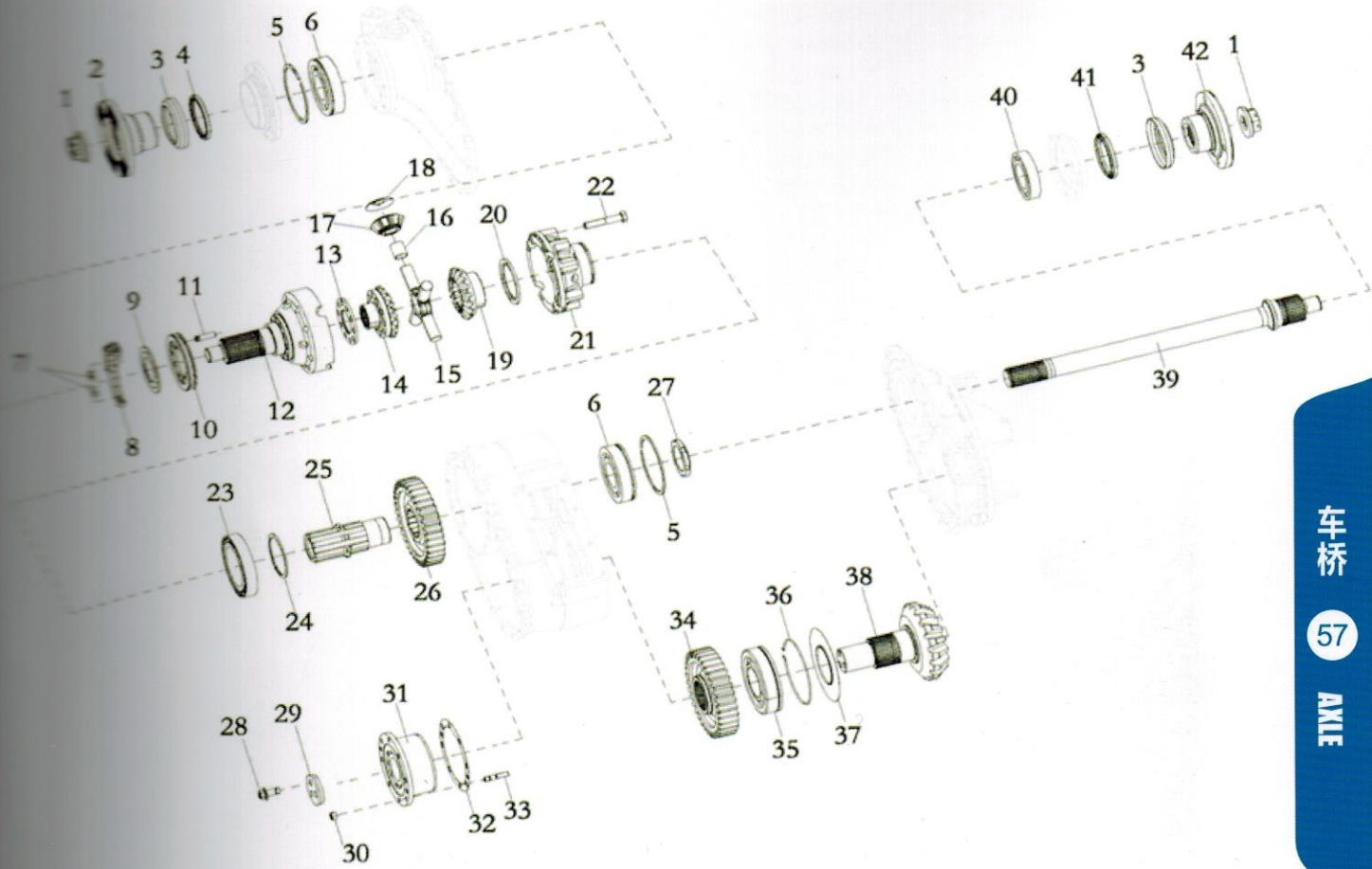
| 序号<br>Item | 件号<br>Part No. | 名称         | Name                                 |
|------------|----------------|------------|--------------------------------------|
| 1          | AZ9100368303   | 膜片式弹簧制动气室  | Diaphragm spring brake chamber       |
| 2          | 190003903661   | 销轴         | Pin axle                             |
| 3          | Q40114         | 平垫圈        | Flat washer                          |
| 4          | Q5004025       | 开口销        | Cotter pin                           |
| 5          | Q43125         | 轴用弹性挡圈     | Circlip for axle                     |
| 6          | 108000320028   | 调整垫圈       | Adjusting washer                     |
|            | 108000320029   | 调整垫圈       | Adjusting washer                     |
|            | 108000320030   | 调整垫圈       | Adjusting washer                     |
|            | 108000320046   | 调整垫圈       | Adjusting washer                     |
| 7          | 188000340022   | 垫圈         | Washer                               |
| 8          | 199000340056   | 间隙调整臂总成(左) | Automatic clearance adjusting (left) |
|            | 199000340057   | 间隙调整臂总成(右) | Automatic clearance adjusting(right) |
| 9          | 188000340017   | 衬套         | Bush                                 |
| 10         | 190003963114   | 米制锥螺纹滑脂嘴   | Taper thread grease nipple           |
| 11         | 199014340041   | 凸轮轴支架      | Camshaft bearer                      |
| 12         | 138090470031   | 调整垫片       | Adjusting washer                     |
|            | 138090470032   | 调整垫片       | Adjusting washer                     |
|            | 138090470033   | 调整垫片       | Adjusting washer                     |
| 13         | 188000340031   | 调整垫片       | Adjusting washer                     |
|            | 188000340032   | 调整垫片       | Adjusting washer                     |
|            | 188000340033   | 调整垫片       | Adjusting washer                     |
|            | 188000340034   | 调整垫片       | Adjusting washer                     |
| 14         | Q151B1440      | 六角头螺栓      | Hex bolt                             |
| 15         | Q151B1490      | 六角头螺栓      | Hex bolt                             |

# 13吨/16吨中桥主减 I 13T/16T Medium axle final drive I



| 序号<br>Item | 件号<br>Part No. | 名称          | Name                       |
|------------|----------------|-------------|----------------------------|
| 1          | Q150B1025      | 六角头螺栓       | Hex bolt                   |
| 2          | Q40310         | 弹簧垫圈        | Spring washer              |
| 3          | 199014320175   | 端盖          | Cover                      |
| 4          | Q150B1050      | 六角头螺栓       | Hex bolt                   |
| 5          | Q340B10        | 1型六角螺母      | Hex.net                    |
| 6          | 190003902070   | 开槽长圆柱端紧定螺钉  | Slotted screw              |
| 7          | Q340B08        | 1型六角螺母      | Hex nut                    |
| 8          | Q43117         | 轴用弹性挡圈      | Circlip for axle           |
| 9          | 127000320037   | 衬套          | Bush                       |
| 10         | 128800730062   | O形密封圈       | O seal ring                |
| 11         | 199014320076   | 差速锁摇臂总成     | Rocker arm                 |
| 12         | 178000350055   | ES平头销       | Flat head pin              |
| 13         | HD91129710001  | 电磁压力开关      | Pressure switch            |
| 14         | Q33208         | 2型全金属六角锁紧螺母 | Hex nut                    |
| 15         | Q40108         | 平垫圈         | Plain washer               |
| 16         | 161000060072   | 隔套          | Spacer bush                |
| 17         | 199014320156   | 托架总成        | Bearer assembly            |
| 18         | Q150B0816      | 六角头螺栓       | Hex bolt                   |
| 19         | Q40308         | 弹簧垫圈        | Spring washer              |
| 20         | DZ9112330620   | 加油螺塞总成      | plug                       |
| 21         | 190003901506   | 圆柱销         | Pin                        |
| 22         | 190003989279   | 碗形堵塞        | Bowling choke plug         |
| 23         | DZ9112330623   | 磁性螺塞总成      | Magnetic plug assembly     |
| 24         | HD90129320017  | 过桥箱盖        | Pass-axle box cap          |
| 25         | Q1201028F3     | 双头螺柱        | Stud                       |
| 26         | 199014320259   | 过桥箱         | Pass axle box              |
| 27         | Q340B12        | 1型六角螺母      | Hex nut                    |
| 28         | Q40312         | 弹簧垫圈        | Spring washer              |
| 29         | Q1201225F3     | 双头螺柱        | Stud                       |
| 30         | 190003813628   | 双头螺柱        | Stud                       |
| 31         | DZ91149320003  | 主减速器壳(中桥)   | Final drive case           |
| 32         | DZ9112320002   | 差速器轴承盖      | Differential bearing cover |
| 33         | DZ90001500007  | 六角法兰面承面带齿螺栓 | Hex bolt                   |
| 34         | 199014320141   | 轴承座         | Bearing seat               |
| 35         | Q5210820       | 圆柱销         | Pin                        |
| 36         | Q150B1020      | 六角头螺栓       | Hex bolt                   |
| 37         | 199014320118   | 接油板总成       | Oil baffle assembly        |
|            | AZ9114320178   | 接油板总成       | Oil baffle assembly        |

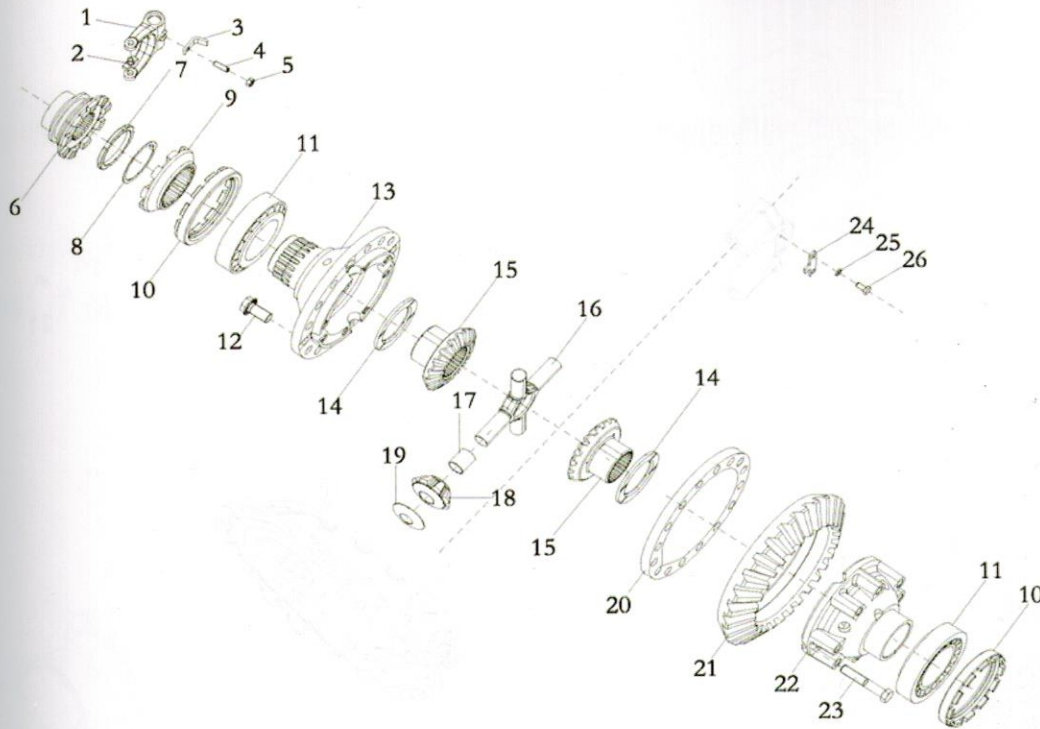
## 13吨/16吨中桥主减Ⅱ 13T/16T Medium axle final drive II



| 序号<br>Item | 件号<br>Part No. | 名称       | Name                                  |
|------------|----------------|----------|---------------------------------------|
| 1          | DZ91129320007  | 凸缘螺母     | Flange nut                            |
| 2          | DZ9112320632   | 凸缘       | Flange                                |
| 3          | 179000320012   | 防尘罩      | Dust cap                              |
| 4          | DZ9112320920   | 主减油封     | Seal ring for axle                    |
| 5          | Q433130        | 轴用压扁钢丝挡圈 | Wire circlip for axle                 |
| 6          | 6312N          | 深沟球轴承    | Deep groove ball bearing              |
| 7          | 118000320077   | 拨叉活动块    | Shifting fork block                   |
| 8          | 199014320053   | 拨叉       | Shifting fork                         |
| 9          | 199014320061   | 轴间差速器壳垫片 | Differential lock washer between axle |
| 10         | DZ9114320136   | 差速锁锁环    | Differential lock ring                |
| 11         | 128800320106   | 差速锁销     | Differential lock                     |
| 12         | HD91129320051  | 差速器壳(前)  | Differential case (front)             |

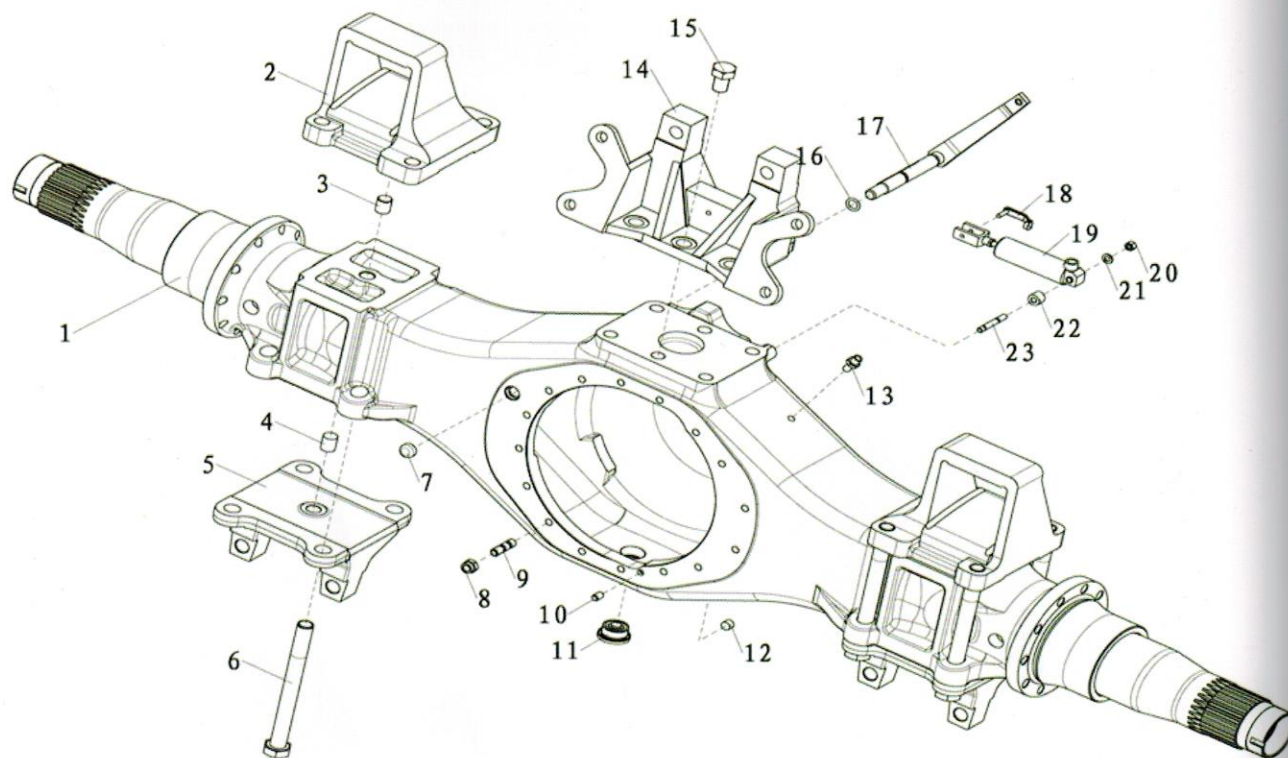
| 序号<br>Item | 件号<br>Part No. | 名称          | Name                           |
|------------|----------------|-------------|--------------------------------|
| 13         | HD90129320122  | 半轴齿轮(前)垫片   | Axle shaft gear washer (front) |
|            | HD90129320123  | 半轴齿轮(前)垫片   | Axle shaft gear washer (front) |
|            | HD90129320124  | 半轴齿轮(前)垫片   | Axle shaft gear washer (front) |
|            | HD90129320125  | 半轴齿轮(前)垫片   | Axle shaft gear washer (front) |
|            | HD90129320126  | 半轴齿轮(前)垫片   | Axle shaft gear washer (front) |
| 14         | DZ9114320137   | 半轴齿轮(前)     | Axle shaft gear (front)        |
| 15         | DZ90129320000  | 差速器十字轴      | Differential cross shaft       |
| 16         | HD90129320121  | 衬套          | Bush                           |
| 17         | DZ90129320003  | 行星齿轮        | Planet gear                    |
| 18         | HD90129320120  | 行星齿轮垫片      | Planet gear washer             |
| 19         | 199014320059   | 半轴齿轮(后)     | Axle shaft gear (rear)         |
| 20         | HD90129320127  | 半轴齿轮(后)垫片   | Axle shaft gear washer (rear)  |
|            | HD90129320128  | 半轴齿轮(后)垫片   | Axle shaft gear washer (rear)  |
|            | HD90129320129  | 半轴齿轮(后)垫片   | Axle shaft gear washer (rear)  |
|            | HD90129320130  | 半轴齿轮(后)垫片   | Axle shaft gear washer (rear)  |
| 21         | HD91129320052  | 差速器壳(后)     | differential case ( rear )     |
| 22         | Q151B1480TF2   | 六角头螺栓       | Hex bolt                       |
| 23         | 6019-Z         | 深沟球轴承       | Deep groove ball bearing       |
| 24         | 190003933580   | 轴用弹性挡圈      | Circlip for axle               |
| 25         | DZ91129320066  | 空心轴         | Hollow shaft                   |
| 26         | DZ91129320065  | 主动圆柱齿轮      | Active cylindrical gear        |
|            | DZ91129320064  | 主动圆柱齿轮      | Active cylindrical gear        |
|            | DZ91129320073  | 主动圆柱齿轮      | Active cylindrical gear        |
| 27         | 199012250031   | 开槽圆螺母       | Round nut                      |
| 28         | Q1801430TF2    | 六角法兰面承面带齿螺栓 | Hex bolt                       |
| 29         | DZ91129320053  | 轴承压板        | Bearing plate                  |
| 30         | Q33210         | 2型全金属六角锁紧螺母 | Hex nut                        |
| 31         | DZ9114320129   | 31311轴承单元总成 | Tapered roller bearing         |
| 32         | 199014320131   | 调整垫片        | Adjusting washer               |
|            | 199014320132   | 调整垫片        | Adjusting washer               |
|            | 199014320133   | 调整垫片        | Adjusting washer               |
|            | 199014320134   | 调整垫片        | Adjusting washer               |
| 33         | DZ91129320056  | 双头螺柱        | Stud                           |
| 34         | DZ9114320651   | 从动圆柱齿轮      | Passive cylindrical gear       |
|            | DZ9114320646   | 从动圆柱齿轮      | Passive cylindrical gear       |
|            | DZ91129320074  | 从动圆柱齿轮      | Passive cylindrical gear       |
| 35         | DZ90129320074  | 满滚子圆柱滚子轴承   | Roller bear                    |
| 36         | 199014320256   | 钢丝挡圈        | Steel wire circlip             |
| 37         | 199014320174   | 挡油片         | Oil baffle                     |
| 38         | DZ9114320636   | 主动锥齿轮       | Active bevel gear              |
| 39         | DZ9114320138   | 贯通轴         | Through axle                   |
| 40         | HD90149326033  | 四点接触球轴承     | Ball bearing                   |
| 41         | DZ9114320902   | 贯通轴油封       | Axle oil ring                  |
| 42         | DZ9114320654   | 凸缘          | Flange                         |

## 13吨/16吨中桥主减Ⅲ 13T/16T Medium axle final drive III



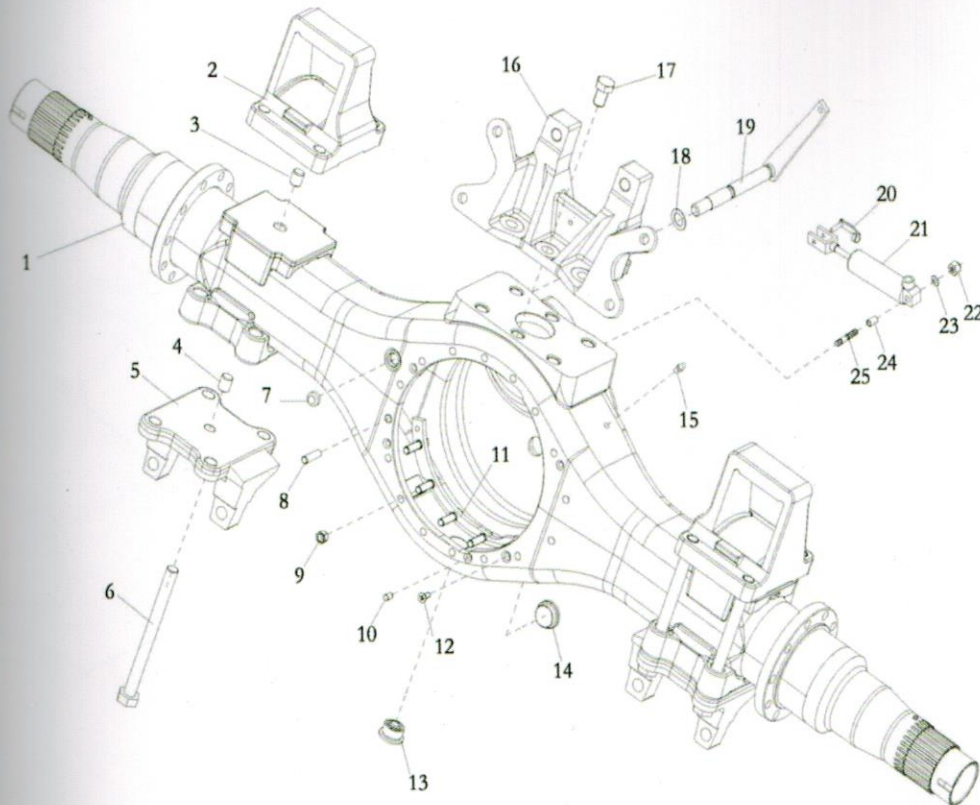
| 序号<br>Item | 件号<br>Part No. | 名称          | Name                        |
|------------|----------------|-------------|-----------------------------|
| 1          | 199012320014   | 拨叉          | Shifting fork               |
| 2          | 118000320077   | 拨叉活动块       | Shifting fork sliding block |
| 3          | 199012320023   | 弯板          | Bend plate                  |
| 4          | Q2800825       | 开槽锥端紧定螺钉    | Slotted bolt                |
| 5          | Q340B08        | 1型六角螺母      | Hex nut                     |
| 6          | 138090320156   | 滑动啮合套       | Sliding engage sleeve       |
| 7          | 138090320157   | 圆螺母         | Circle nut                  |
| 8          | 138090320158   | 锁止垫片        | Locking washer              |
| 9          | 138090320155   | 固定啮合套       | Fixed engage sleeve         |
| 10         | 138090320159   | 差速器轴承调整螺母   | Differential adjusting nut  |
| 11         | 190003326148   | 圆锥滚子轴承      | Tapered roller bearing      |
| 12         | DZ9114320013   | 六角法兰面承面带齿螺栓 | Hex bolt                    |
| 13         | HD91129320045  | 差速器壳(左)     | Differential case (left)    |
| 14         | HD90129320132  | 调整垫片        | Adjusting washer            |
|            | HD90129320133  | 调整垫片        | Adjusting washer            |
|            | HD90129320134  | 调整垫片        | Adjusting washer            |
|            | HD90129320135  | 调整垫片        | Adjusting washer            |
|            | HD90129320136  | 调整垫片        | Adjusting washer            |
| 15         | 199012320009   | 半轴齿轮        | Axle shaft gear             |
| 16         | DZ90129320000  | 差速器十字轴      | Differential spider         |
| 17         | HD90129320121  | 衬套          | Bush                        |
| 18         | DZ90129320003  | 行星齿轮        | Planet gear                 |
| 19         | HD90129320120  | 行星齿轮垫片      | Planet gear washer          |
| 20         | 199014320153   | 补偿环         | Differential case washer    |
| 21         | 199014320126   | 从动锥齿轮       | Passive bevel gear          |
| 22         | HD91129320043  | 差速器壳(右)     | Differential case (right)   |
| 23         | Q151B1480TF2   | 六角头螺栓       | Hex bolt                    |
| 24         | DZ9112320083   | 止动片         | Stop plate                  |
| 25         | Q40308         | 弹簧垫圈        | Spring washer               |
| 26         | Q150B0816      | 六角头螺栓       | Hex bolt                    |

# 16吨后桥桥壳 16T Rear axle housing



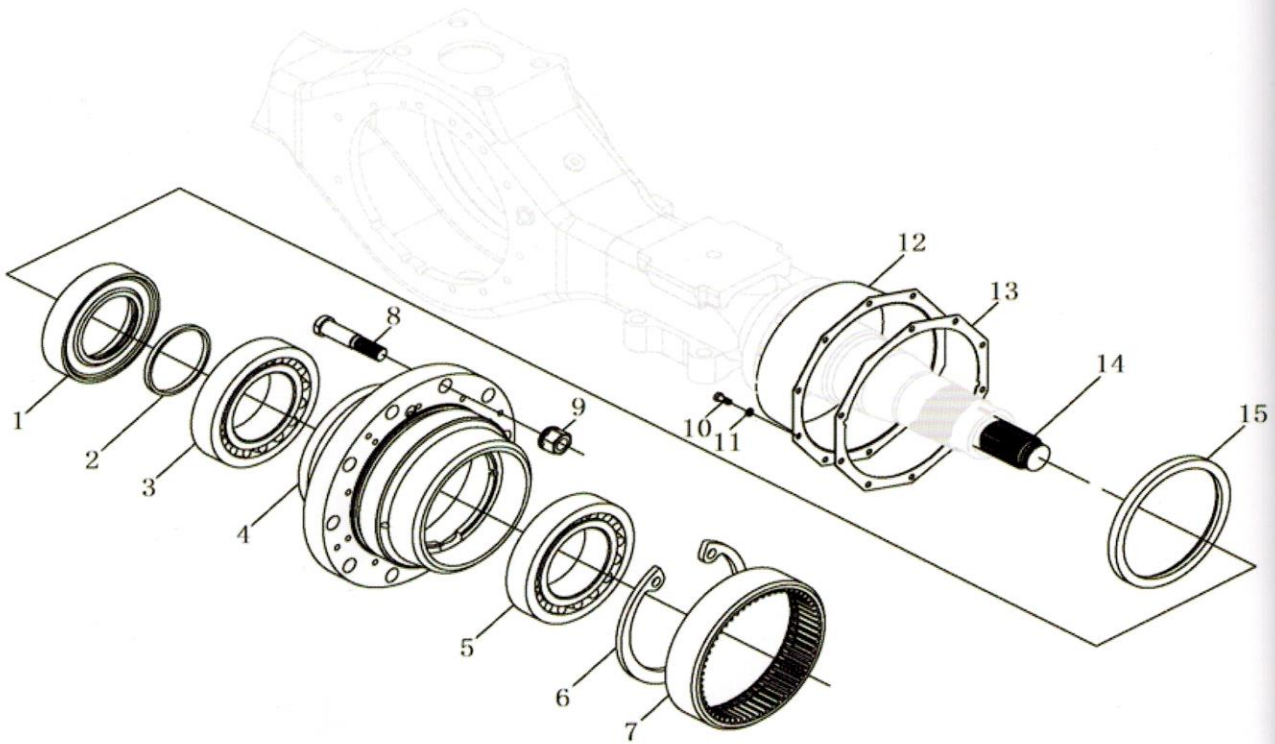
| 序号<br>Item | 件号<br>Part No. | 名称          | Name                                |
|------------|----------------|-------------|-------------------------------------|
| 1          | HD91149330027  | 驱动桥壳总成      | Rear axle housing assembly          |
| 2          | DZ9114524033   | 后板簧右后支架     | Rear leaf spring right rear bracket |
|            | DZ9114524034   | 后板簧左后支架     | Rear leaf spring left rear bracket  |
| 3          | 199014520256   | 销           | Pin                                 |
| 4          | 190003901905   | 圆柱销         | Cylindrical pin                     |
| 5          | DZ9114520305   | 左支架         | Bracket (left)                      |
|            | DZ9114520306   | 右支架         | Bracket (right)                     |
| 6          | DZ9114520116   | 六角头螺栓       | Hex bolt                            |
| 7          | 190003989290   | 碗形堵塞        | Bowling plug                        |
| 8          | 190003888457   | 自锁螺母        | Self-locking nut                    |
| 9          | 190003810631   | 双头螺栓        | Stud                                |
| 10         | 190003901506   | 圆柱销         | Pin                                 |
| 11         | DZ9112330623   | 磁性螺塞总成      | Magnetic plug assembly              |
| 12         | DZ9112330620   | 加油螺塞总成      | Plug screw assembly                 |
| 13         | 81.35306.0034  | 直通接头        | Straight coupling                   |
| 14         | 199014340042   | 气室支架总成      | Chamber bracket                     |
| 15         | Q151B2040TF2   | 六角头螺栓       | Hex bolt                            |
|            | Q151B2030TF2   | 六角头螺栓       | Hex bolt                            |
| 16         | 1680M0320015   | O型垫圈        | O washer                            |
| 17         | 199014330125   | 操纵杆总成       | Operation handle assembly           |
| 18         | 178000350055   | ES平头销       | Flat head pin                       |
| 19         | HD91129710001  | 电磁压力开关      | Pressure switch                     |
| 20         | Q33208         | 2型全金属六角锁紧螺母 | Hex nut                             |
| 21         | Q40108         | 平垫圈         | Plain washer                        |
| 22         | 161000060084   | 间隔衬套        | Spacer bush                         |
| 23         | Q1200850F3     | 双头螺栓        | Stud                                |

## 13吨后桥桥壳 13T Rear axle housing



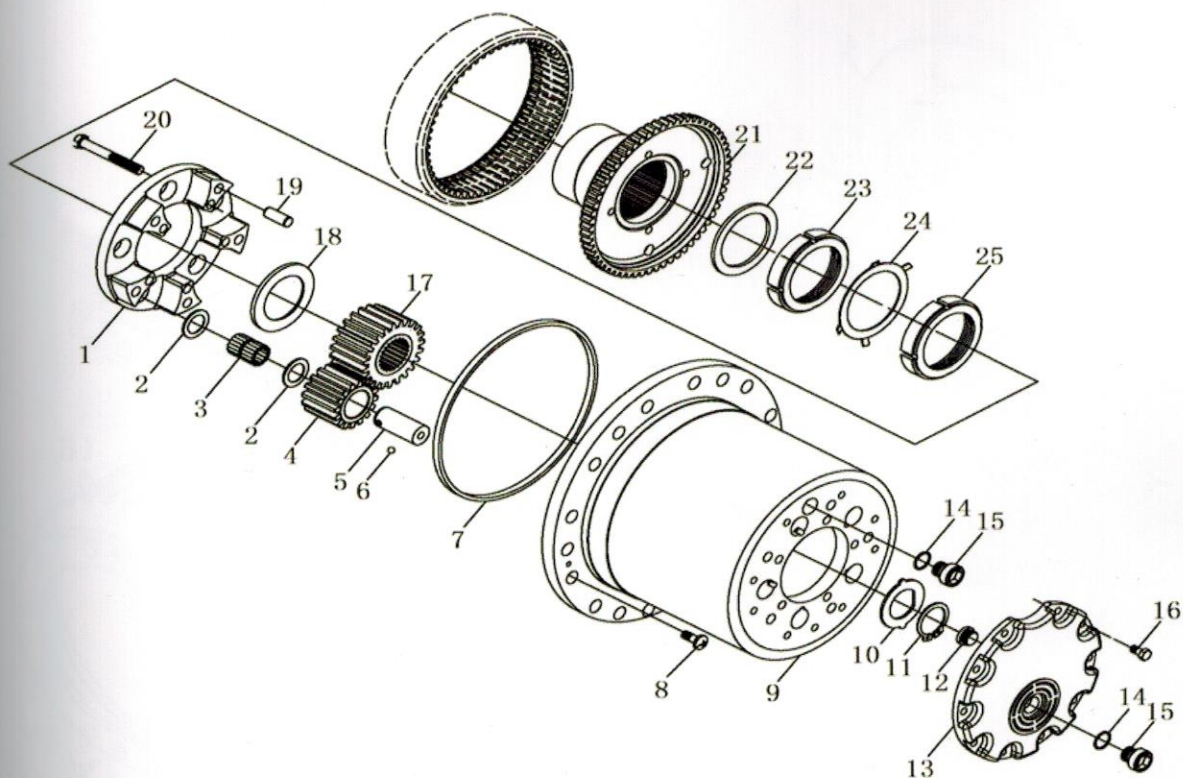
| 序号<br>Item | 件号<br>Part No. | 名称          | Name                               |
|------------|----------------|-------------|------------------------------------|
| 1          | HD91129330098  | 驱动桥壳总成      | Rear axle housing assembly         |
| 2          | DZ91129520032  | 后板簧右后支架     | Spring bracket                     |
|            | DZ91129520033  | 后板簧左后支架     | Spring bracket                     |
| 3          | 199014520256   | 销           | Pin                                |
| 4          | 190003901905   | 圆柱销         | Pin                                |
| 5          | HD91129520007  | 左支架         | Bracket (left)                     |
|            | HD91129520008  | 右支架         | Bracket (right)                    |
| 6          | DZ9114520116   | 六角头螺栓       | Hex bolt                           |
| 7          | 190003989290   | 碗形堵塞        | Bowling plug                       |
| 8          | 190003810631   | 双头螺母        | Self-locking nut                   |
| 9          | 190003888457   | 自锁螺母        | Pin                                |
| 10         | 190003901506   | 圆柱销         | Bow hold-open catch assembly(upon) |
| 11         | 199014330147   | 弓形固定卡(上)    | Bow hold-open catch                |
|            | 199014330146   | 弓形固定卡(下)    | assembly(down)                     |
| 12         | Q2540820       | 十字槽沉头螺钉     | Slit bolt                          |
| 13         | DZ9112330623   | 磁性螺塞总成      | Magnetic plug assembly             |
| 14         | DZ9112330620   | 加油螺塞总成      | Plug screw assembly                |
| 15         | 81.35306.0034  | 直通接头        | Straight coupling                  |
| 16         | 199014340042   | 气室支架总成      | Chamber bracket                    |
| 17         | Q151B2040TF2   | 六角头螺栓       | Hex bolt                           |
|            | Q151B2030TF2   | 六角头螺栓       | Hex bolt                           |
| 18         | 1680M0320015   | O型垫圈        | O style packing ring               |
| 19         | 199014330125   | 操纵杆总成       | Operation handle assembly          |
| 20         | 178000350055   | ES平头销       | Flat head lock                     |
| 21         | HD91129710001  | 电磁压力开关      | Pressure switch                    |
| 22         | Q33208         | 2型全金属六角锁紧螺母 | Hex nut                            |
| 23         | Q40108         | 平垫圈         | Plain washer                       |
| 24         | 161000060084   | 间隔衬套        | Space collar                       |
| 25         | Q1200850F3     | 双头螺柱        | Stud                               |

# 13吨/16吨后桥轮边 I 13T/16T Rear axle hub I



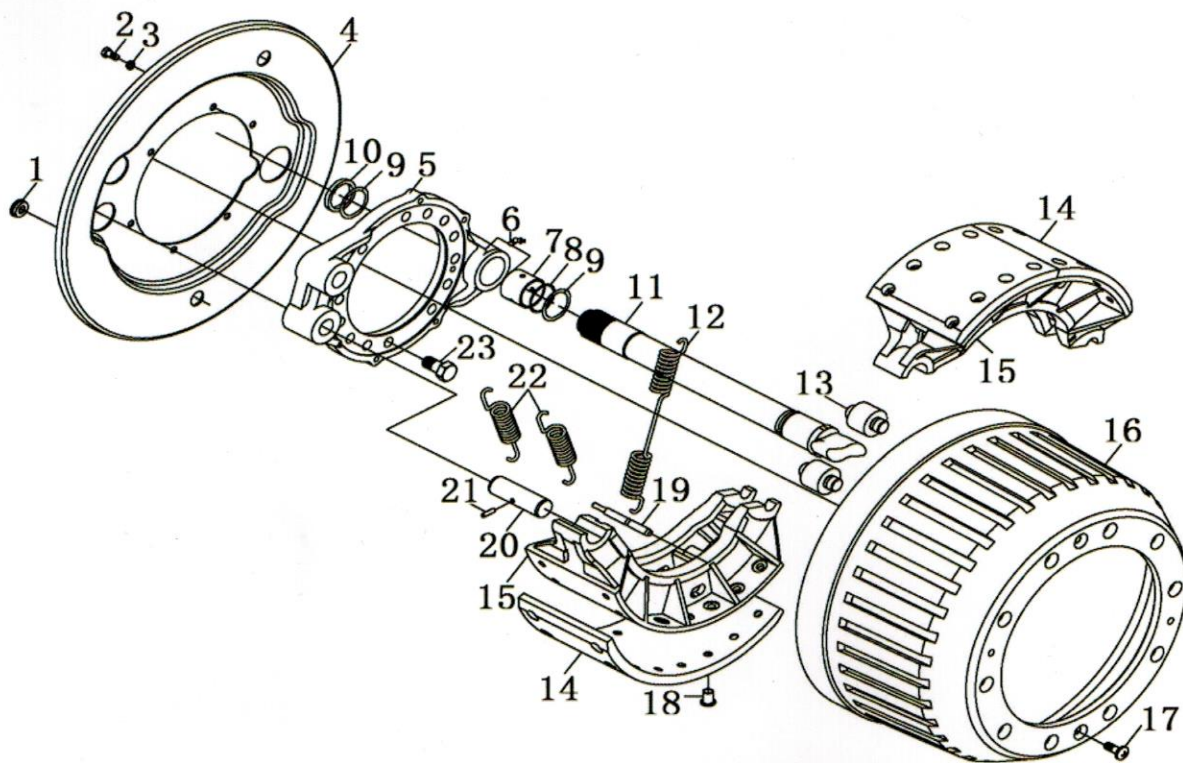
| 序号<br>Item | 件号<br>Part No. | 名称       | Name                    |
|------------|----------------|----------|-------------------------|
| 1          | DZ91129340111  | 隔圈       | Spacer ring             |
| 2          | 199012340027   | 密封圈      | Seal ring               |
| 3          | 30222          | 圆锥滚子轴承   | Tapered roller bearing  |
| 4          | DZ91129340119  | 后轮毂      | Rear wheel hub assembly |
| 5          | 32222          | 圆锥滚子轴承   | Tapered roller bearing  |
| 6          | 188000420014   | 孔用挡圈     | Circlip for hole        |
| 7          | 199012340121   | 内齿圈      | Inner gear ring         |
| 8          | H150A22120BZF3 | 车轮螺栓     | Wheel bolt              |
| 9          | 190003884160   | 车轮螺母     | Wheel nut               |
| 10         | Q150B0816      | 六角头螺栓    | Hex bolt                |
| 11         | Q40308         | 弹簧垫圈     | Spring washer           |
| 12         | 199012340021   | 挡油罩      | Oil baffle cap          |
| 13         | 199012340020   | 密封垫片     | Seal ring               |
| 14         | DZ9112340221   | 半轴 (左)   | Axle shaft(left)        |
|            | DZ9112340222   | 半轴 (右)   | Axle shaft(right)       |
| 15         | DZ9112340227   | 轮毂油封 (左) | Hub oil ring(L)         |
|            | DZ9112340228   | 轮毂油封 (右) | Hub oil ring(R)         |

## 13吨/16吨后桥轮边 II 13T/16T Rear axle hub II



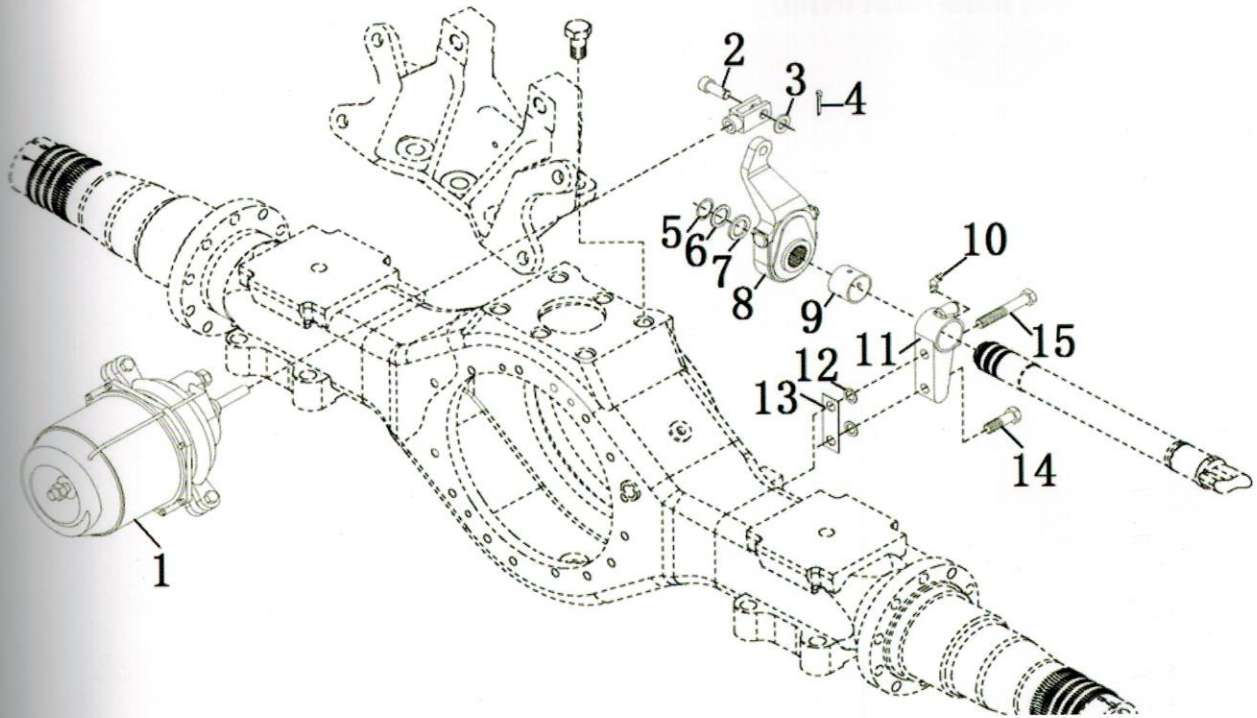
| 序号<br>Item | 件号<br>Part No. | 名称       | Name                     |
|------------|----------------|----------|--------------------------|
| 1          | 199112340018   | 行星架      | Planet carrier           |
| 2          | HD91129340053  | 行星轮垫片    | Planet gear washer       |
| 3          | DZ91129340090  | 滚针轴承     | Needle bearing           |
| 4          | DZ91129340093  | 行星轮      | Planet gear              |
| 5          | 199012340004   | 行星轮轴     | Planet gear axle         |
| 6          | 190003330148   | 钢球       | Steel ball               |
| 7          | 199012340029   | 密封圈      | Seal ring                |
| 8          | Q2541025       | 十字槽沉头螺钉  | Slotted screw            |
| 9          | HD91129340026  | 轮边减速器壳   | Hub reducer case         |
| 10         | 188000410097   | 垫圈       | Washer                   |
| 11         | 190003933351   | 轴用弹性挡圈   | Circlip for axle         |
| 12         | 199012340011   | 端盖顶销     | End cap pin              |
| 13         | DZ91129340025  | 端盖       | End cap                  |
| 14         | 190003098026   | 密封垫圈     | Seal ring                |
| 15         | DZ9112346116   | 圆柱头内六角螺塞 | Square head tapered plug |
| 16         | Q150B1014      | 六角头螺栓    | Hex bolt                 |
| 17         | 199012340005   | 太阳轮      | Sun gear                 |
| 18         | 199012340076   | 太阳轮垫圈    | Sun gear washer          |
| 19         | 190003901704   | 圆柱销      | Pin                      |
| 20         | Q151C1295TF2   | 六角头螺栓    | Hex bolt                 |
| 21         | DZ91129340106  | 齿圈支架     | Gear ring bearer         |
| 22         | 188000420033   | 齿圈座环     | Gear ring seat ring      |
| 23         | DZ9112340215   | 锁紧螺母     | Circle nut               |
| 24         | 168000340015   | 止推垫圈     | Stop washer              |
| 25         | DZ9112340216   | 锁紧螺母     | locknut                  |

# 13吨/16吨后桥制动 I 13T/16T Rear axle brake I



| 序号<br>Item | 件号<br>Part No. | 名称        | Name                        |
|------------|----------------|-----------|-----------------------------|
| 1          | 188000340037   | 密封塞       | Seal plug                   |
| 2          | Q150B0816      | 六角头螺栓     | Hex bolt                    |
| 3          | Q40308         | 弹簧垫圈      | Spring washer               |
| 4          | 199112340012   | 制动器防尘罩    | Brake dust cap              |
| 5          | 199000340062   | 制动底板      | Brake backplate             |
| 6          | 190003963114   | 米制锥螺纹滑脂嘴  | Taper thread grease nipple  |
| 7          | 188000340017   | 衬套        | Bush                        |
| 8          | 188000340023   | O型密封圈     | O seal ring                 |
| 9          | 188000440010   | 附加垫片      | Washer                      |
| 10         | 190003933300   | 轴用弹性挡圈    | Circlip for axle            |
| 11         | DZ9112340056   | 制动凸轮轴 (左) | Brake camshaft (left)       |
|            | DZ9112340057   | 制动凸轮轴 (右) | Brake camshaft (right)      |
| 12         | 188000440012   | 回位弹簧      | Return spring               |
| 13         | 199000340027   | 滚轮        | Roller wheel                |
| 14         | 199000340068   | 制动摩擦片     | Brake friction plate        |
| 15         | 199000340061   | 制动蹄       | Brake shoe                  |
| 16         | HD91129340028  | 制动鼓       | Brake drum                  |
| 17         | Q2541020       | 十字槽盘头螺钉   | Cross recess pan head screw |
| 18         | 189000340068   | 铆钉        | Rivet                       |
| 19         | 188000440032   | 回位弹簧销     | Return spring pin           |
| 20         | 199000340064   | 支销        | Backing pin                 |
| 21         | Q5280624       | 弹性圆柱销     | Elastic pin                 |
| 22         | 199112340049   | 回位弹簧      | Return spring               |
| 23         | DZ9112340372   | 内六方圆柱头螺栓  | Hex bolt                    |

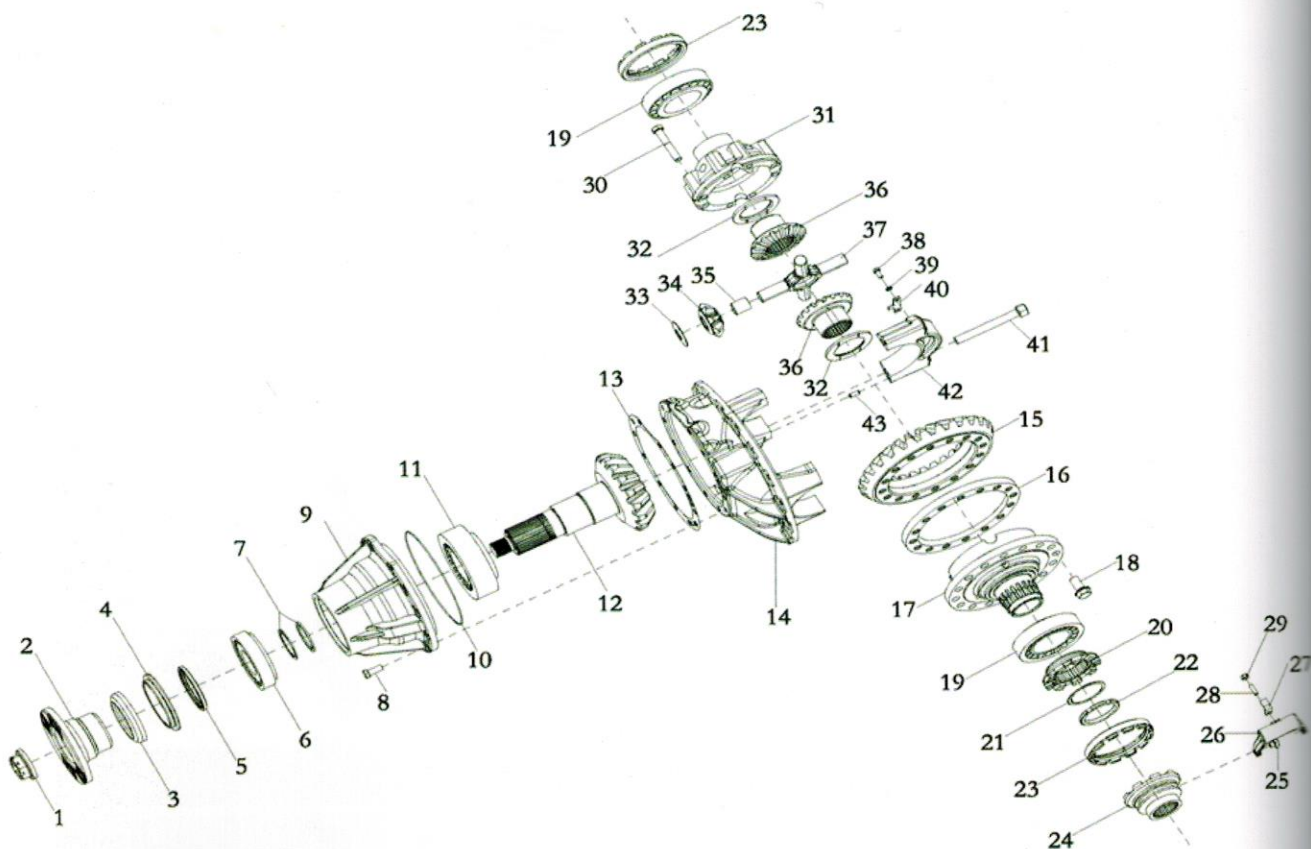
## 13吨/16吨后桥制动 II 13T/16T Rear axle brake II



| 序号<br>Item | 件号<br>Part No. | 名称         | Name                                 |
|------------|----------------|------------|--------------------------------------|
| 1          | AZ9100368303   | 膜片式弹簧制动气室  | Diaphragm spring brake chamber       |
| 2          | 190003903661   | 销轴         | Pin shaft                            |
| 3          | Q40114         | 平垫圈        | Flat washer                          |
| 4          | Q5004025       | 开口销        | Cotter pin                           |
| 5          | Q43125         | 轴用弹性挡圈     | Circlip for axle                     |
| 6          | 108000320028   | 调整垫圈       | Adjusting washer                     |
|            | 108000320029   | 调整垫圈       | Adjusting washer                     |
|            | 108000320030   | 调整垫圈       | Adjusting washer                     |
|            | 108000320046   | 调整垫圈       | Adjusting washer                     |
| 7          | 188000340022   | 垫圈         | Washer                               |
| 8          | 199000340056   | 间隙调整臂总成(左) | Automatic clearance adjusting (left) |
|            | 199000340057   | 间隙调整臂总成(右) | Automatic clearance adjusting(right) |
| 9          | 188000340017   | 衬套         | Bush                                 |
| 10         | 190003963114   | 米制锥螺纹滑脂嘴   | Taper thread grease nipple           |
| 11         | 199014340041   | 凸轮轴支架      | Camshaft bearer                      |
| 12         | 138090470031   | 调整垫片       | Adjusting washer                     |
|            | 138090470032   | 调整垫片       | Adjusting washer                     |
|            | 138090470033   | 调整垫片       | Adjusting washer                     |
| 13         | 188000340031   | 调整垫片       | Adjusting washer                     |
|            | 188000340032   | 调整垫片       | Adjusting washer                     |
|            | 188000340033   | 调整垫片       | Adjusting washer                     |
| 14         | Q151B1440      | 六角头螺栓      | Hex bolt                             |
| 15         | Q151B1490      | 六角头螺栓      | Hex bolt                             |

# 13吨/16吨后桥主减

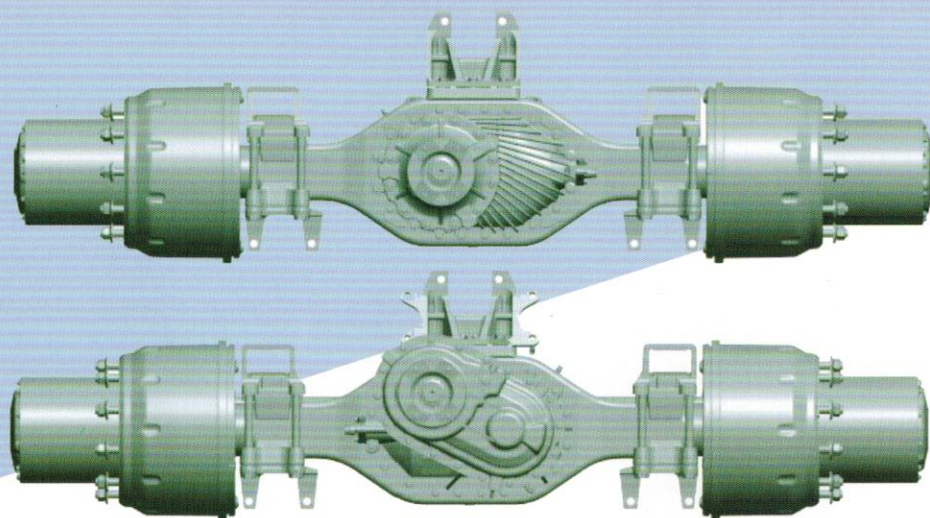
## 13T/16T Rear axle final drive



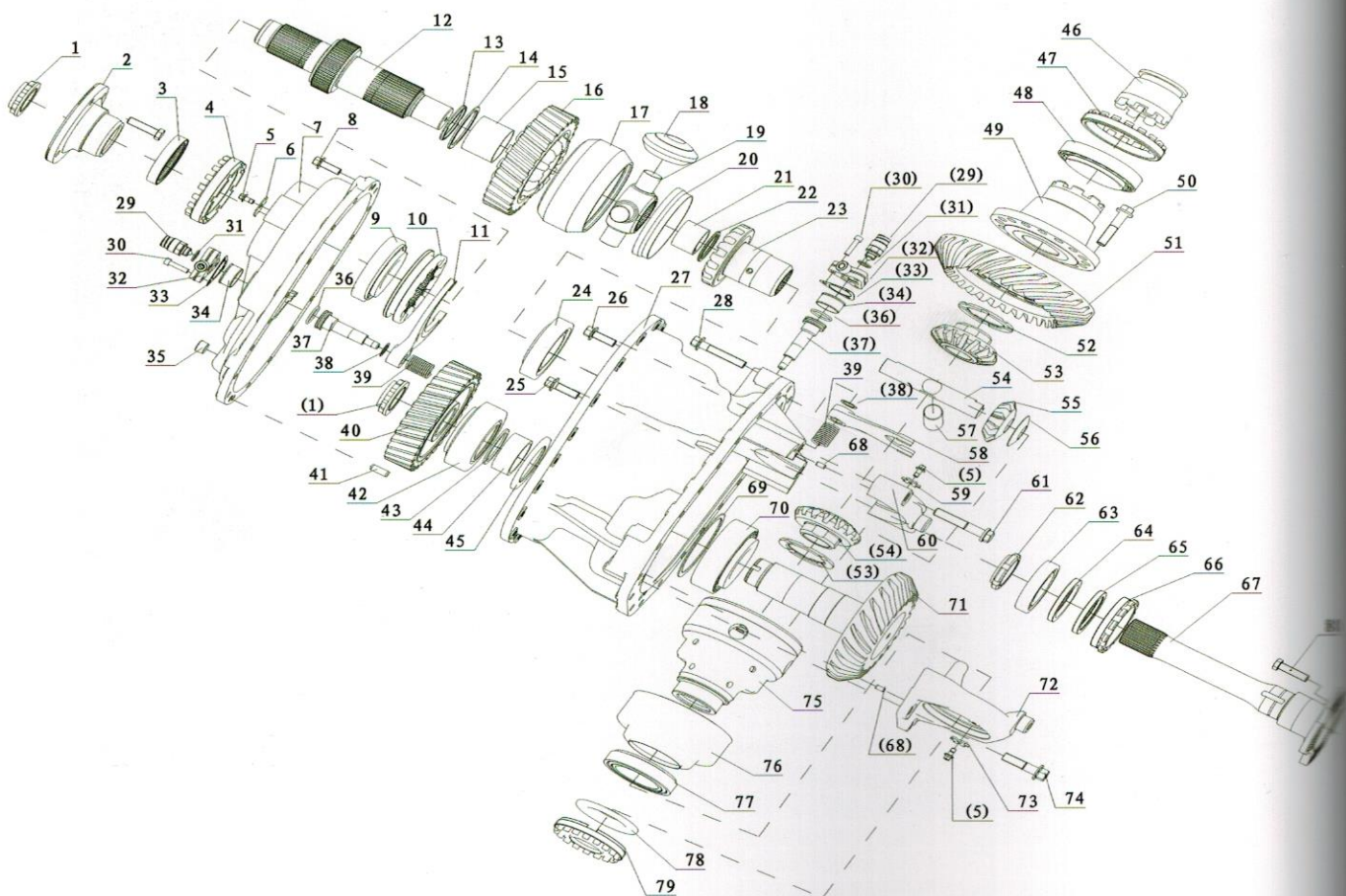
| 序号<br>Item | 件号<br>Part No. | 名称           | Name                   |
|------------|----------------|--------------|------------------------|
| 1          | DZ91129320007  | 凸缘螺母         | Flange nut             |
| 2          | DZ9112320632   | 凸缘 (φ180端面齿) | Flange                 |
| 3          | 179000320012   | 防尘罩          | Dust cap               |
| 4          | 199012320121   | 环            | Ring                   |
| 5          | DZ9112320920   | 主减油封         | Axle seal ring         |
| 6          | 30312          | 圆锥滚子轴承       | Tapered roller bearing |
| 7          | 188000320002   | 调整垫片         | Adjusting washer       |
|            | 188000320003   | 调整垫片         | Adjusting washer       |
|            | 188000320004   | 调整垫片         | Adjusting washer       |
|            | 188000320005   | 调整垫片         | Adjusting washer       |
|            | 188000320006   | 调整垫片         | Adjusting washer       |
|            | 188000320007   | 调整垫片         | Adjusting washer       |
|            | 188000320008   | 调整垫片         | Adjusting washer       |
|            | 188000320009   | 调整垫片         | Adjusting washer       |
|            | 188000320010   | 调整垫片         | Adjusting washer       |
|            | 188000320011   | 调整垫片         | Adjusting washer       |
|            | 188000320012   | 调整垫片         | Adjusting washer       |
|            | 188000320013   | 调整垫片         | Adjusting washer       |
|            | 188000320014   | 调整垫片         | Adjusting washer       |
|            | 188000320015   | 调整垫片         | Adjusting washer       |

| 序号<br>Item | 件号<br>Part No. | 名称          | Name                         |
|------------|----------------|-------------|------------------------------|
| 8          | Q150B1230TF2   | 六角头螺栓       | Hex bolt                     |
| 9          | 199012320131   | 轴承座         | Bearing seat                 |
|            | 199012320103   | 轴承座         | Bearing seat                 |
| 10         | 199012320133   | 密封圈         | Seal ring                    |
| 11         | 32316          | 圆锥滚子轴承      | Tapered roller bearing       |
|            | 32315          | 圆锥滚子轴承      | Tapered roller bearing       |
| 12         | DZ9112320626   | 主动圆锥齿轮      | Bevel drive gear             |
|            | DZ9112320622   | 主动圆锥齿轮      | Bevel drive gear             |
|            | DZ9112320620   | 主动圆锥齿轮      | Bevel drive gear             |
| 13         | 199012320173   | 调整垫片        | Adjusting washer             |
|            | 199012320174   | 调整垫片        | Adjusting washer             |
|            | 199012320175   | 调整垫片        | Adjusting washer             |
|            | 199012320176   | 调整垫片        | Adjusting washer             |
| 14         | DZ91149320001  | 主减速器壳       | Final drive housing          |
| 15         | 199112320001   | 从动锥齿轮       | Bevel gear                   |
|            | 199012320125   | 从动锥齿轮       | Bevel gear                   |
|            | 199012320035   | 从动锥齿轮       | Bevel gear                   |
| 16         | AZ9112320153   | 衬环          | Bush ring                    |
| 17         | HD91129320046  | 差速器壳(左)     | Differential housing (left)  |
|            | HD91129320042  | 差速器壳(左)     | Differential housing (left)  |
| 18         | DZ9114320013   | 六角法兰面承面带齿螺栓 | Hex bolt                     |
| 19         | 32216          | 圆锥滚子轴承      | Tapered roller bearing       |
| 20         | 138090320155   | 固定啮合套       | Fixed engage sleeve          |
| 21         | 138090320158   | 锁止垫片        | Locking washer               |
| 22         | 138090320157   | 圆螺母         | Circle nut                   |
| 23         | 138090320159   | 差速器调整螺母     | Differential adjusting nut   |
| 24         | 138090320156   | 滑动啮合套       | Sliding engage sleeve        |
| 25         | 118000320077   | 拨叉活动块       | Sliding block                |
| 26         | 199012320014   | 拨叉          | Shifting fork                |
| 27         | 199012320023   | 弯板          | Bend plate                   |
| 28         | Q2800825       | 开槽锥端紧定螺钉    | Slotted screw                |
| 29         | Q340B08        | I型六角螺母      | Hex nut                      |
| 30         | Q151B1480TF2   | 六角头螺栓       | Hex bolt                     |
| 31         | HD91129320043  | 差速器壳(右)     | Differential housing (right) |
| 32         | HD90129320132  | 调整垫片        | Adjusting washer             |
|            | HD90129320133  | 调整垫片        | Adjusting washer             |
|            | HD90129320134  | 调整垫片        | Adjusting washer             |
|            | HD90129320135  | 调整垫片        | Adjusting washer             |
|            | HD90129320136  | 调整垫片        | Adjusting washer             |
| 33         | HD90129320120  | 行星齿轮垫片      | Planet gear washer           |
| 34         | DZ90129320003  | 行星齿轮        | Planet gear                  |
| 35         | HD90129320121  | 行星齿轮衬套      | Planet gear bush             |
| 36         | 199012320009   | 半轴齿轮        | Axle shaft gear              |
| 37         | DZ90129320000  | 十字轴         | cross shaft                  |
| 38         | Q150B0816      | 六角头螺栓       | Hex bolt                     |
| 39         | Q40308         | 弹簧垫圈        | Spring washer                |
| 40         | DZ9112320083   | 止动片         | Stop piece                   |
| 41         | DZ90001500007  | 六角法兰面承面带齿螺栓 | Hex bolt                     |
| 42         | DZ9112320002   | 差速器轴承盖      | Differential bearing cover   |
| 43         | Q5210820       | 圆柱销         | Cylindrical pin              |

# 汉德 13吨/16吨 MAN驱动桥 Hande 13T/16T MAN Driving Axle(HDZ300)



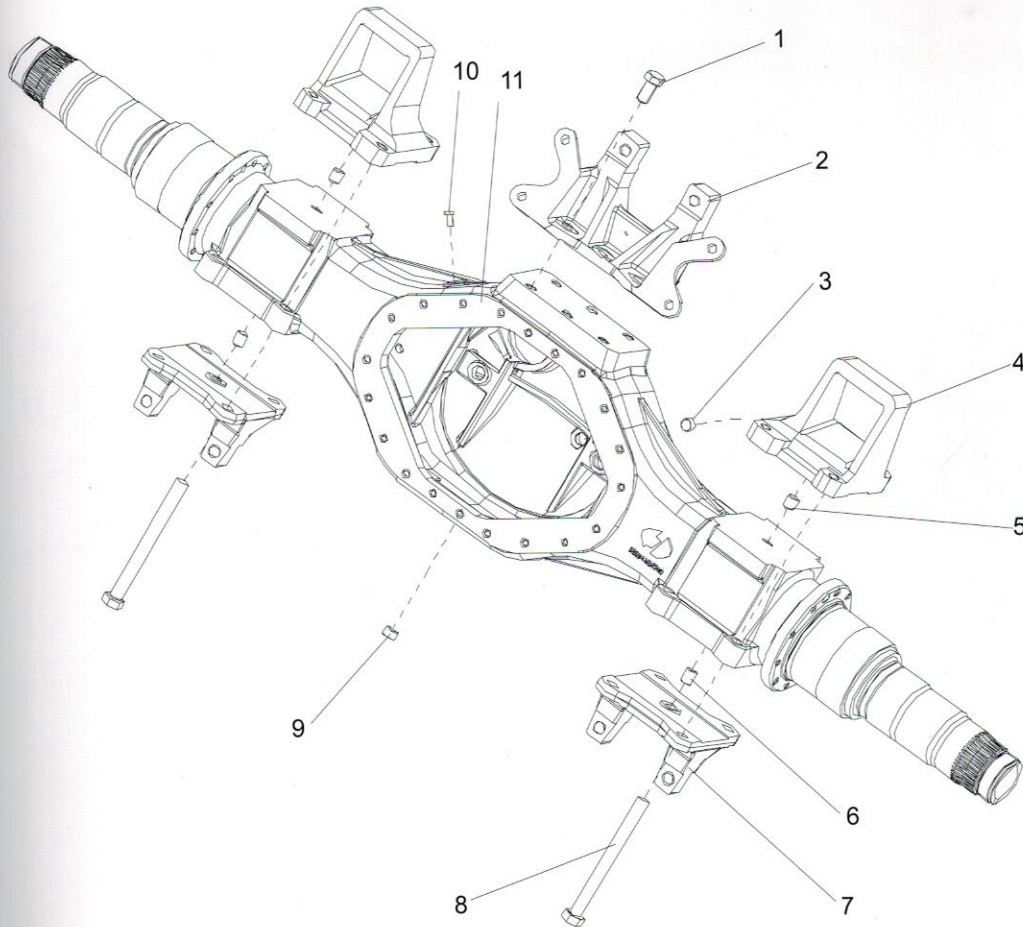
## 13吨/16吨中桥主减 13T/16T Medium axle final drive



| 序号<br>Item | 件号<br>Part No. | 名称                 | Name                                  |
|------------|----------------|--------------------|---------------------------------------|
| 1          | DZ95149320054  | 十二角螺母              | Nut                                   |
| 2          | HD469-2502012  | 凸缘φ180             | Flange plate φ180                     |
| 3          | DZ9112320920   | 主减油封               | Final drive oil seal                  |
| 4          | HD469-2502014  | 调整螺母               | Adjusting nut                         |
| 5          | Q1800816       | 六角法兰面承面带齿螺栓        | Hex flange toothed bolt               |
| 6          | HD469-2502015  | 锁片                 | Lock piece                            |
| 7          | DZ90149320017  | 过桥箱盖               | Final drive case cap                  |
| 8          | Q1811235TF2    | 六角法兰面承面带齿螺栓        | Hex flange toothed bolt               |
| 9          | 06.32499.0088  | 圆锥滚子轴承 FAG31313A   | Tapered rolling bearing FAG 31313A    |
| 10         | DZ90149320026  | 滑动啮合套              | Sliding mesh sleeve                   |
| 11         | HD469-2511011  | 拨叉                 | Selector fork                         |
| 12         | HD469-2502011  | 贯通轴(输入端)           | Connect shaft (Input end)             |
| 13         | HD469-2502017  | 垫环                 | Washer                                |
| 14         | DZ95149320064  | 止推垫片               | Thrust washer                         |
| 15         | HD469-2502019  | 衬套                 | Bush                                  |
| 16         | DZ90149320000  | 主动圆柱轮              | Active cylinder gear                  |
| 17         | HD469-2510011  | 轴间差速器壳             | Axle differential case                |
| 18         | HD469-2510013  | 行星齿轮               | Planet gear                           |
| 19         | HD469-2510014  | 十字轴                | Cross shaft                           |
| 20         | HD469-2510012  | 集油罩                | Collect oil cap                       |
| 21         | HD469-2510015  | 衬套                 | Bush                                  |
| 22         | HD469-2510017  | 调整垫圈               | Adjusting washer                      |
| 23         | DZ9114320933   | 半轴齿轮               | Axle shaft gear                       |
| 24         | 32215          | 圆锥滚子轴承32215        | Tapered rolling bearing 32215         |
| 25         | Q1811445TF2    | 六角法兰面承面带齿螺栓        | Hex flange toothed bolt               |
| 26         | Q1811440TF2    | 六角法兰面承面带齿螺栓        | Hex flange toothed bolt               |
| 27         | DZ90149320019  | 主减器壳总成             | Final drive case                      |
| 28         | DZ9003800004   | 六角法兰面承面带齿螺栓        | Hex flange toothed bolt               |
| 29         | 81.25503.0244  | 压力开关               | Pressure switch                       |
| 30         | Q150B0835      | 六角头螺栓              | Inner hexagon bolt                    |
| 31         | Q72318         | 密封垫圈               | Seal washer                           |
| 32         | HD469-2406012  | 气缸盖                | Cylinder head                         |
| 33         | HD469-2406017  | 密封衬垫               | Gasket                                |
| 34         | HD469-2406014  | 衬套                 | Bush                                  |
| 35         | 81.90310.0179  | 螺纹堵塞               | Screw plug                            |
| 36         | HD469-2406015  | O型圈 M7.660-60 34*3 | O-ring M7.660-60 34*3                 |
| 37         | HD469-2406013  | 活塞杆                | Piston rod                            |
| 38         | HD469-2402014  | 垫圈DIN988-22*30*0.5 | Adjusting washer DIN 988-22*30*0.5    |
|            | HD469-2402016  | 垫圈DIN988-22*30*1   | Adjusting washer DIN 988-22*30*1      |
| 39         | HD469-2406011  | 差速锁回位弹簧            | Spring                                |
| 40         | DZ90149320001  | 从动圆柱齿轮             | Passive cylinder gear                 |
| 41         | Q5211232       | 圆柱销(A型-d公差m6)      | Cylindrical pin(A from-d allowance m) |
| 42         | DZ90149320056  | 圆锥滚子轴承 32313 BX    | Tapered rolling bearing 32313BX       |
| 43         | 81.90770.0100  | 调整垫片               | Adjusting washer                      |
| 44         | DZ90149320004  | 间隔衬套               | Space bush                            |
| 45         | 81.35730.0018  | 集油盘                | Oil baffle disc                       |
| 46         | DZ90149320040  | 滑动啮合套              | Sliding mesh sleeve                   |
| 47         | DZ90149320015  | 调整螺母               | Adjusting nut                         |
| 48         | 32020X/Q       | 圆锥滚子轴承             | Tapered rolling bearing               |
| 49         | DZ90149320006  | 差速器壳               | Differential case                     |
| 50         | DZ90149320007  | 六角法兰面承面带齿螺栓        | Hex flange toothed bolt               |

| 序号<br>Item | 件号<br>Part No. | 名称               | Name                                   |
|------------|----------------|------------------|--|
| 51和71      | DZ90149320051  | 锥齿副(i=1.208)     | bevel gear pair (i=1.208)              |
|            | DZ90149320067  | 锥齿副(i=1.333)     | Passive bevel gear(i=1.333)            |
|            | DZ90149320061  | 锥齿副(i=1.5)       | Passive bevel gear(i=1.5)              |
|            | HD90149320004  | 锥齿副(i=1.706)     | Passive bevel gear(i=1.706)            |
| 52         | 81.35613.0043  | 半轴齿轮垫片           | Axle shaft gear washer                 |
| 53         | 81.35106.0036  | 半轴齿轮             | Axle shaft gear                        |
| 54         | DZ90149320008  | 十字轴              | Cross shaft                            |
| 55         | DZ90149320010  | 行星齿轮             | Planet gear                            |
| 56         | DZ90149320011  | 行星齿轮垫片           | Planet gear washer                     |
| 57         | DZ90149320009  | 十字轴              | Cross shaft                            |
| 58         | DZ90149320041  | 拨叉               | Selector fork                          |
| 59         | DZ90149320047  | 锁片               | Lock piece                             |
| 60         | DZ90149320018  | 差速器轴承盖           | Bearing cap                            |
| 61         | DZ9003800000   | 六角法兰面带齿螺栓        | Hex flange toothed bolt                |
| 62         | DZ95149320053  | 开槽圆螺母            | Slotted nut                            |
| 63         | DZ90149326012  | 四点接触球轴承          | Four point contact ball bearing        |
| 64         | 06.56279.0331  | 油封               | Oil seal                               |
| 65         | 06.56279.0335  | 油封               | Oil seal                               |
| 66         | 81.90685.0053  | 调整螺母             | Adjusting nut                          |
| 67         | DZ90149320053  | 过桥箱贯通轴           | Axle differential through shaft        |
| 68         | Q5220816       | 圆柱销 ( B型-d公差h8 ) | Cylindrical pin(B from-d allowance h8) |
| 69         | DZ90149320021  | 调整垫片             | Adjusting washer                       |
| 70         | DZ90149320055  | 圆锥滚子轴承 32314 BX  | Tapered rolling bearing 32314 BX       |
| 71         | DZ90149320002  | 主动锥齿轮(i=1.208)   | Active taper gear(i=1.208)             |
|            | DZ90149320068  | 主动锥齿轮(i=1.333)   | Active taper gear(i=1.333)             |
|            | DZ90149320062  | 主动锥齿轮(i=1.5)     | Active taper gear(i=1.5)               |
|            | HD90149320002  | 主动锥齿轮(i=1.706)   | Active taper gear(i=1.706)             |
| 72         | DZ90149320029  | 差速器轴承盖           | Bearing cap                            |
| 73         | DZ9112320373   | 锁片(左)            | Lock piece(left)                       |
| 74         | Q1811665TF2    | 六角法兰面带齿螺栓-细牙     | Hex flange toothed bolt                |
| 75         | DZ90149320005  | 差速器壳             | Differential case                      |
| 76         | DZ90149320042  | 挡油罩              | Collect oil cap                        |
| 77         | 32017          | 圆锥滚子轴承32017X     | Tapper rolling bearing 32017X          |
| 78         | DZ90149320012  | 集油盘              | Collect oil plate                      |
| 79         | DZ90149320013  | 调整螺母             | Adjusting nut                          |
| 80         | Q151B1455TF3   | 六角头螺栓            | Hex bolt                               |

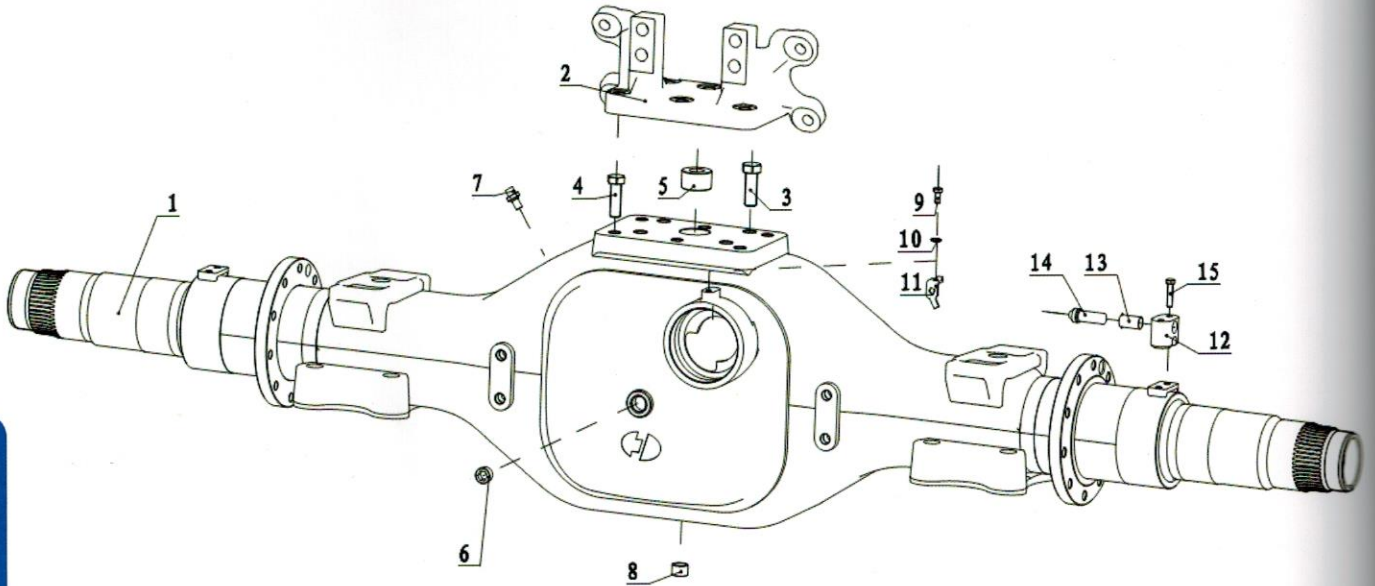
## 16吨中桥桥壳 16T Medium axle housing



| 序号<br>Item | 件号<br>Part No. | 名称      | Name                                 |
|------------|----------------|---------|--------------------------------------|
| 1          | Q151B2040TF52  | 六角头螺栓   | Hex bolt                             |
| 2          | HD95149340002  | 气室支架    | Chamber bracket                      |
| 3          | 81.90310.0179  | 螺纹堵塞    | Thread plug                          |
| 4          | DZ9114524035   | 后板簧左前支架 | Rear leaf spring left front bracket  |
|            | DZ9114524036   | 后板簧右前支架 | Rear leaf spring right front bracket |
| 5          | 199014520256   | 销       | Pin                                  |
| 6          | 190003901905   | 圆柱销     | Cylindrical pin                      |
| 7          | DZ9114520307   | 左支架     | Left bracket                         |
|            | DZ9114520308   | 右支架     | Right bracket                        |
| 8          | DZ9114520116   | 六角头螺栓   | Hex bolt                             |
| 9          | 81.90301.0025  | 油堵      | Oil plug                             |
| 10         | 81.35306.0034  | 直通接头    | Vent joint                           |
| 11         | HD95149330045  | 中桥壳总成   | Middle axle housing assembly         |

# 13吨中桥桥壳 (MAN悬架)

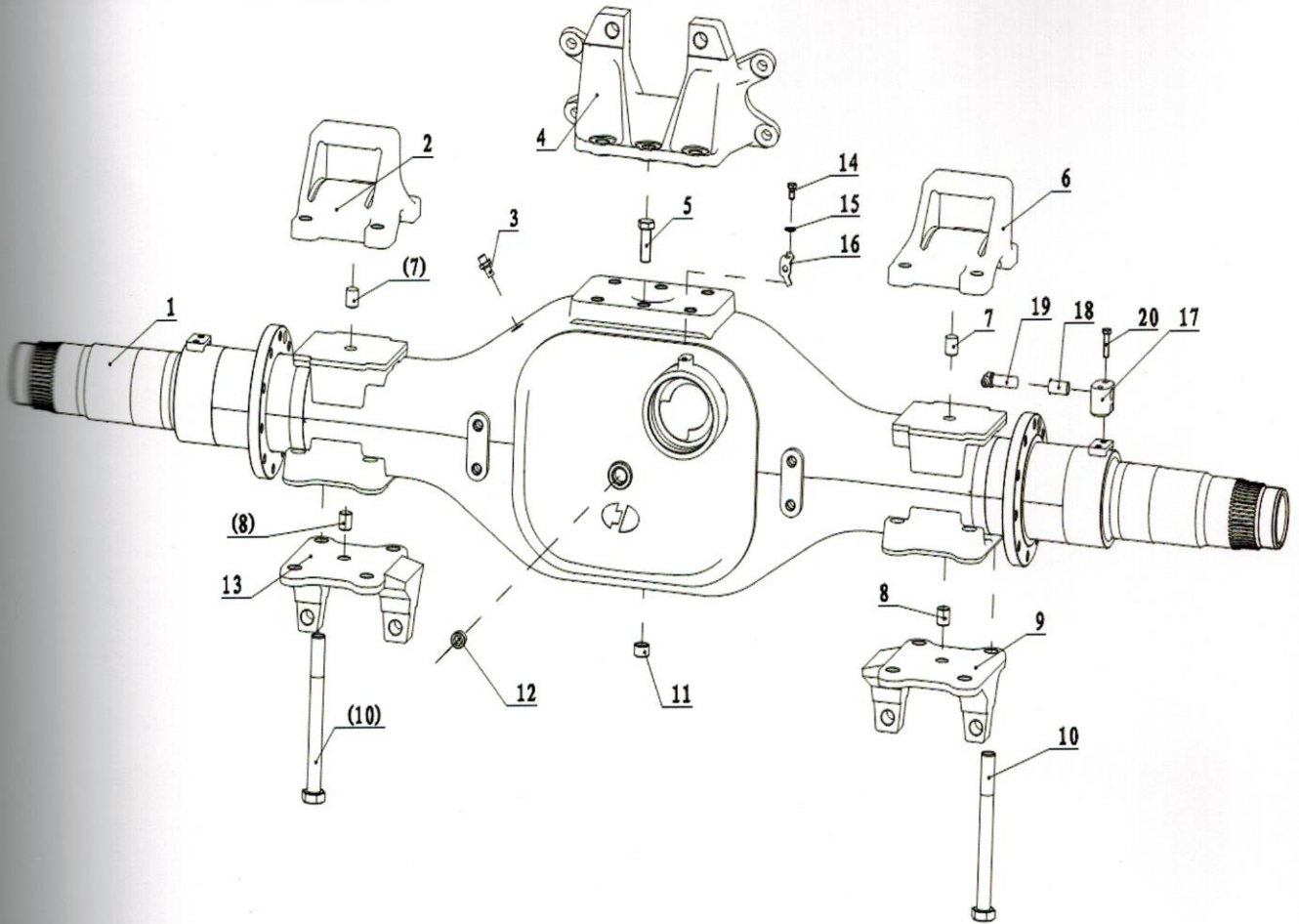
## 13T Medium axle housing (MAN suspension)



| 序号<br>Item | 件号<br>Part No. | 名称               | Name                                      |
|------------|----------------|------------------|---|
| 1          | HD90129330546  | 贯通式驱动桥桥壳总成, V推   | Axle case assembly                        |
|            | HD90129330548  | 贯通式驱动桥桥壳总成, 直推   | Axle case assembly                        |
|            | HD90129330559  | 贯通式驱动桥桥壳总成, 空气悬架 | Axle case assembly                        |
| 2          | DZ9114340189   | 气室支架, V推, 空气悬架   | Chamber bracket, V thrust, air suspension |
|            | HD95129340010  | 气室支架, 直推         | Chamber bracket, straight thrust          |
| 3          | Q1811650TF2    | 六角法兰面承面带齿螺栓-细牙   | Hex flange toothed bolt                   |
| 4          | 06.02812.1115  | 六角法兰面承面带齿螺栓      | Hex flange toothed bolt                   |
| 5          | 81.93021.0057  | 衬套               | Bush                                      |
| 6          | 81.90310.0179  | 螺纹堵塞             | Screw plug                                |
| 7          | 81.35306.0034  | 直通接头             | Vent joint                                |
| 8          | 81.90310.0179  | 螺纹堵塞             | Screw plug                                |
| 9          | Q150B0816      | 六角头螺栓            | Hex bolt                                  |
| 10         | Q41408         | 锥形锯齿锁紧垫圈         | Adjusting washer                          |
| 11         | 81.90801.0221  | 锁止片              | Lock piece                                |
| 12         | DZ9112340100   | ABS支架            | ABS bracket                               |
| 13         | DZ9100580215   | 传感器衬套            | ABS sensor bush                           |
| 14         | DZ9100580214   | 传感器              | ABS sensor                                |
| 15         | Q150B0835      | 六角头螺栓            | Hex bolt                                  |

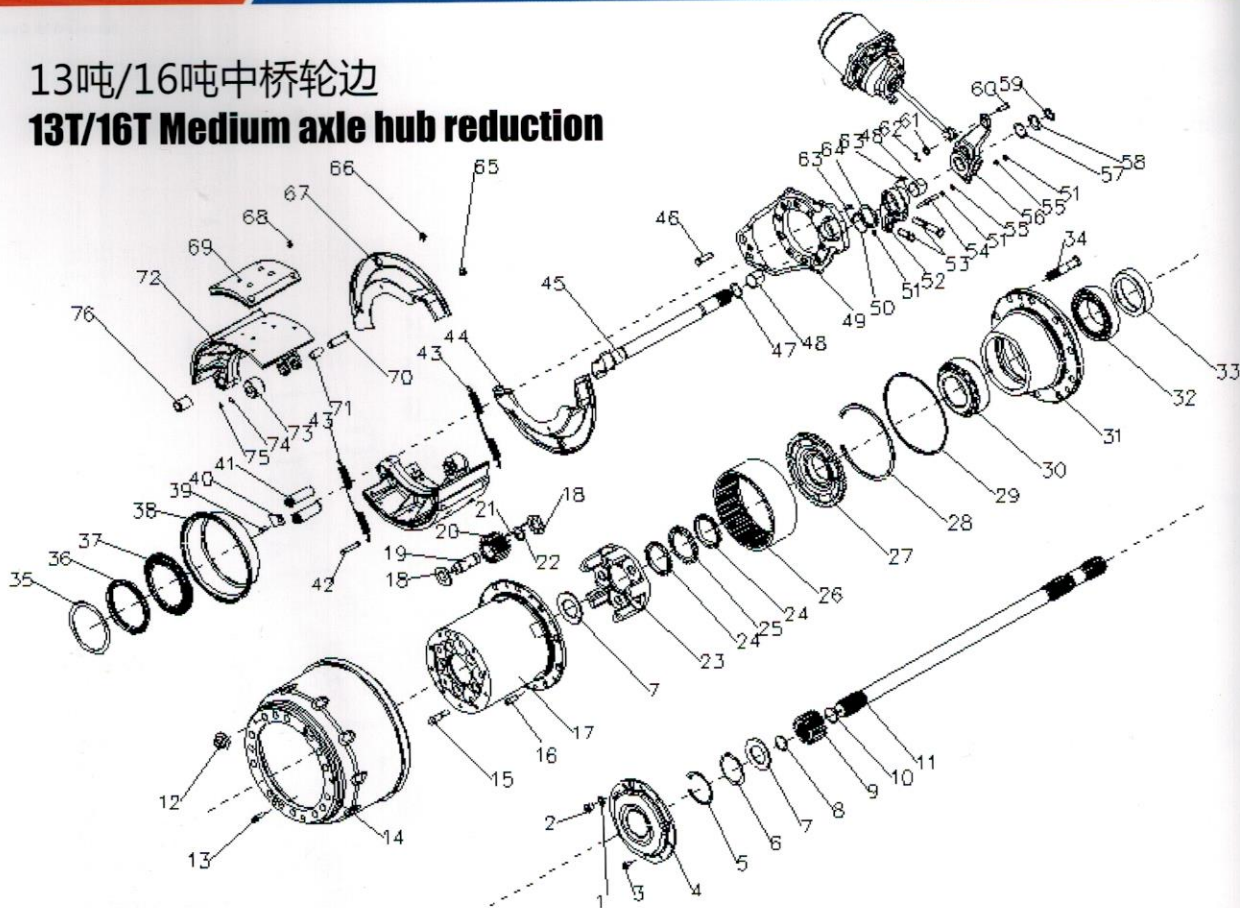
## 13吨中桥桥壳 (STR悬架)

## 13T Medium axle housing (STR suspension)



| 序号<br>Item | 件号<br>Part No. | 名称             | Name                                 |
|------------|----------------|----------------|--------------------------------------|
| 1          | HD90129330537  | 贯通式驱动桥桥壳总成     | Axle case assembly                   |
| 2          | DZ9114520616   | 后板簧右前支架, 高度116 | Rear leaf spring right front bracket |
| 2          | DZ9114520630   | 后板簧右前支架, 高度55  | Rear leaf spring right front bracket |
| 3          | 81.35306.0034  | 直通接头           | Vent joint                           |
| 4          | 199014340042   | 气室支架           | Chamber bracket                      |
| 5          | Q151B2040TF2   | 六角头螺栓-细牙       | Hex bolt                             |
| 6          | DZ9114520615   | 后板簧左前支架, 高度116 | Rear leaf spring left front bracket  |
| 6          | DZ9114520629   | 后板簧左前支架, 高度55  | Rear leaf spring left front bracket  |
| 7          | 199014520256   | 销              | Pin                                  |
| 8          | 190003901905   | 销              | Pin                                  |
| 9          | HD91129520008  | 下支架 (右)        | Bracket ( right )                    |
| 10         | DZ9114520116   | 六角头螺栓          | Hex bolt                             |
| 11         | 81.90310.0179  | 螺纹堵塞           | Screw plug                           |
| 12         | 81.90310.0179  | 螺纹堵塞           | Screw plug                           |
| 13         | HD91129520007  | 下支架 (左)        | Bracket ( left )                     |
| 14         | Q150B0816      | 六角头螺栓          | Hex bolt                             |
| 15         | Q41408         | 锥形锯齿锁紧垫圈       | Adjusting washer                     |
| 16         | 81.90801.0221  | 锁止片            | Lock piece                           |
| 17         | DZ9112340100   | ABS支架          | ABS bracket                          |
| 18         | DZ9100580215   | 传感器衬套          | ABS sensor bush                      |
| 19         | DZ9100580214   | 传感器            | ABS sensor                           |
| 20         | Q150B0835      | 六角头螺栓          | Hex bolt                             |

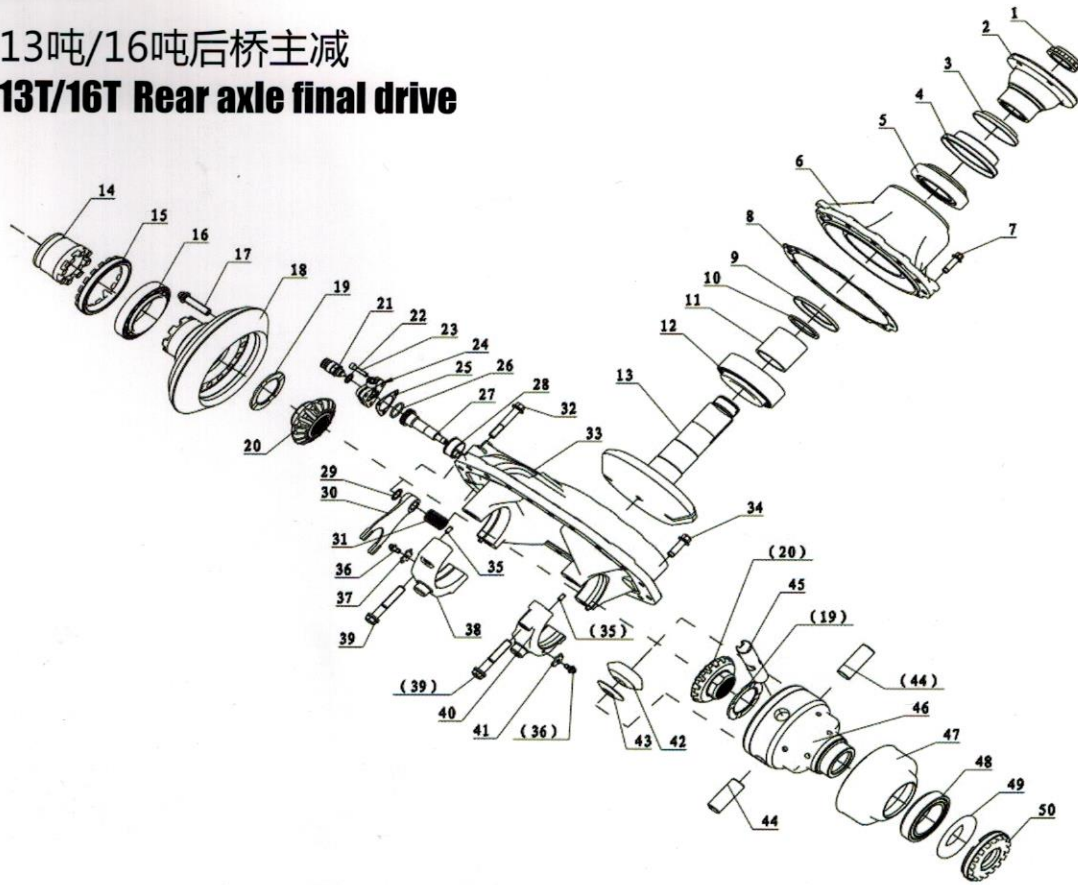
# 13吨/16吨中桥轮边 13T/16T Medium axle hub reduction



| 序号<br>Item | 件号<br>Part No. | 名称       | Name                        |
|------------|----------------|----------|-----------------------------|
| 1          | 190003098026   | 密封垫圈     | Seal ring                   |
| 2          | HD95129340120  | 圆柱头内六角螺塞 | Screw plug                  |
| 3          | Q184A1018TF2   | 六角法兰面螺栓  | Hex bolt                    |
| 4          | 81.35114.0086  | 端盖       | End cap                     |
| 5          | 06.29020.0214  | 孔用弹性挡圈   | Circlip for hole            |
|            | 06.29020.0216  | 孔用弹性挡圈   | Circlip for hole            |
| 6          | 81.90701.0753  | 调整垫片     | Adjuster shim               |
|            | 81.90712.0873  | 调整垫片     | Adjuster shim               |
| 7          | 81.90711.0640  | 止推垫片     | Stop washer                 |
|            | 81.90712.0878  | 止推垫片     | Stop washer                 |
| 8          | 06.29200.0117  | 轴用弹性挡圈   | Circlip for axle            |
|            | 81.35113.0044  | 太阳轮      | Sun gear                    |
| 9          | 81.35113.0034  | 太阳轮      | Sun gear                    |
|            | Q43750         | 轴用钢丝挡圈   | Circlip for axle            |
| 11         | DZ90149340007  | 半轴(左)    | Half axis(left)             |
|            | DZ90149340008  | 半轴(右)    | Half axis(right)            |
| 12         | 190003884160   | 车轮螺母     | Wheel nut                   |
| 13         | Q2541020       | 十字槽盘头螺钉  | Cross recess pan head screw |
| 14         | 81.50110.0144  | 制动鼓      | Brake drum                  |
| 15         | 81.90010.0067  | 六角头螺栓    | Hex bolt                    |
| 16         | Q2541025       | 十字槽盘头螺钉  | Cross recess pan head screw |
| 17         | F81.35114.6113 | 轮边减速器总成  | Hub redactor assembly       |
|            | F81.35114.6111 | 轮边减速器壳   | Hub redactor case           |
| 18         | 81.90711.0641  | 止推垫片     | Stop washer                 |
|            | 81.90712.0878  | 止推垫片     | Stop washer                 |
| 19         | 81.91020.0709  | 行星轮轴     | Planet gear axle            |
|            | 81.91020.0698  | 行星轮轴     | Planet gear axle            |
| 20         | 81.35112.0029  | 行星齿轮     | Planet gear                 |
|            | 81.35112.0023  | 行星齿轮     | Planet gear                 |
| 21         | 06.32569.0029  | 滚针       | Needle bearing              |
|            | 06.32569.0030  | 滚针       | Needle bearing              |
|            | 06.32569.0031  | 滚针       | Needle bearing              |
|            | 06.32569.0032  | 滚针       | Needle bearing              |
|            | 06.32569.0034  | 滚针       | Needle bearing              |
|            | 06.32569.0035  | 滚针       | Needle bearing              |
|            | 06.32569.0036  | 滚针       | Needle bearing              |
|            | 06.32569.0037  | 滚针       | Needle bearing              |
| 22         | 81.90711.0546  | 间隔垫圈     | Space ring                  |
|            | 81.90712.0879  | 间隔垫圈     | Space ring                  |

| 序号<br>Item | 件号<br>Part No. | 名称          | Name                                      |
|------------|----------------|-------------|---|
| 23         | 81.35114.0092  | 行星架         | Planet carrier                            |
|            | 81.35114.0113  | 行星架         | Planet carrier                            |
| 24         | 81.90620.0048  | 开槽螺母        | Hex nut                                   |
| 25         | 81.90801.0224  | 防松锁片        | Locking washer                            |
| 26         | 81.35111.0021  | 内齿圈         | Inside gear ring                          |
|            | 81.35111.0017  | 内齿圈         | Inside gear ring                          |
| 27         | 81.35114.0019  | 齿圈支架        | Gear ring bearer                          |
|            | 81.35114.0101  | 齿圈支架        | Gear ring bearer                          |
| 28         | DZ95129340046  | 孔用弹性挡圈      | Circlip for hole                          |
|            | DZ95129340045  | 孔用弹性挡圈      | Circlip for hole                          |
| 29         | 06.56341.4254  | O型密封圈       | O-ring                                    |
| 30         | 33220          | 圆锥滚子轴承      | Tapered roller bearing                    |
| 31         | 81.35701.0128  | 轮毂          | Wheel hub                                 |
| 32         | 06.32499.0155  | 圆锥滚子轴承      | Tapered roller bearing                    |
| 33         | DZ9112340280   | 隔圈          | Space ring                                |
| 34         | H150A22120BZF3 | 车轮螺栓        | Wheel bolt                                |
|            | H150A22133CZF3 | 车轮螺栓        | Wheel bolt                                |
| 35         | 81.35720.0005  | 挡板          | Thrust gasket ring                        |
| 36         | 06.56289.0330  | 油封          | Oil seal                                  |
| 37         | 06.56289.0371  | 油封          | Oil seal                                  |
| 38         | 81.35730.0033  | 挡油罩         | Oil baffle disc                           |
| 39         | 06.02828.4505  | 六角头螺栓       | Hex bolt                                  |
| 40         | 81.90801.0225  | 护板          | Cover sheet                               |
| 41         | 81.50212.0032  | 制动蹄销        | Pin                                       |
| 42         | 81.50211.0018  | 回位弹簧销       | Return spring pin                         |
| 43         | 81.97610.0115  | 回位弹簧        | Return spring                             |
| 44         | DZ9112340012   | 防尘罩 (左)     | Dirt guard ( left )                       |
| 45         | DZ9112340139   | 制动凸轮轴 (左)   | Brake camshaft(left)                      |
|            | DZ9112340140   | 制动凸轮轴 (右)   | Brake camshaft(right)                     |
| 46         | Q151B1445TF2   | 六角头螺栓       | Hex bolt                                  |
| 47         | 188000340023   | O形密封圈       | O-ring                                    |
| 48         | 188000340017   | 衬套          | Bush                                      |
| 49         | DZ9112340143   | 制动底板 (左)    | Brake backing plate(left)                 |
|            | DZ9112340097   | 制动底板 (右)    | Brake backing plate(right)                |
| 50         | 188000440010   | 附加垫片        | Washer                                    |
| 51         | Q340B08        | 1型六角薄螺母     | Hex nut                                   |
| 52         | DZ9112340146   | 凸轮轴支座       | Bracket                                   |
| 53         | Q151B16110     | 六角头螺栓       | Hex bolt                                  |
| 54         | Q151B1645      | 六角头螺栓       | Hex bolt                                  |
| 55         | HD90129340259  | 螺纹销         | Threaded pin                              |
| 56         | HD90129340257  | 自动间隙调整臂 (左) | Automatic clearance adjusting arm (left)  |
|            | HD90129340258  | 自动间隙调整臂 (右) | Automatic clearance adjusting arm (right) |
|            | 199000340056   | 间隙调整臂总成 (左) | Clearance adjusting arm (left)            |
|            | 199000340057   | 间隙调整臂总成 (右) | Clearance adjusting arm (right)           |
| 57         | HD90129348285  | 垫圈          | Washer                                    |
| 58         | 108000320028   | 调整垫片        | Adjuster shim                             |
|            | 108000320029   | 调整垫片        | Adjuster shim                             |
|            | 108000320030   | 调整垫片        | Adjuster shim                             |
| 59         | Q43125         | 轴用弹性挡圈      | Circlip for axle                          |
| 60         | 190003903661   | 销           | Pin                                       |
| 61         | 190003935015   | 平垫圈         | Plain washer                              |
| 62         | 190003920328   | 开口销         | Cotter pin                                |
| 63         | 06.38070.0102  | 滑脂嘴         | Grease nipple                             |
| 64         | 190003933300   | 轴用弹性挡圈      | Circlip for axle                          |
| 65         | Q150B1012      | 六角头螺钉       | Hex bolt                                  |
| 66         | 188000340037   | 密封塞         | Choke plug                                |
| 67         | DZ9112340013   | 防尘罩 (右)     | Dirt guard ( right )                      |
| 68         | 81.92201.0108  | 铆钉          | Rivet                                     |
|            | 81.92201.0109  | 铆钉          | Rivet                                     |
| 69         | DZ9112340062   | 上摩擦片        | Upper friction plate                      |
|            | DZ9112340063   | 下摩擦片        | Lower friction plate                      |
| 70         | 81.50211.0030  | 销           | Pin                                       |
| 71         | 81.93021.0220  | 衬套          | Bush                                      |
| 72         | DZ9112340061   | 制动蹄         | Brake shoe                                |
| 73         | 81.50213.0013  | 滚轮          | Roller                                    |
| 74         | 06.15113.2615  | 垫圈          | Washer                                    |
| 75         | 190003933072   | 轴用弹性挡圈      | Circlip for axle                          |
| 76         | DZ95009440001  | 衬套          | Bush                                      |

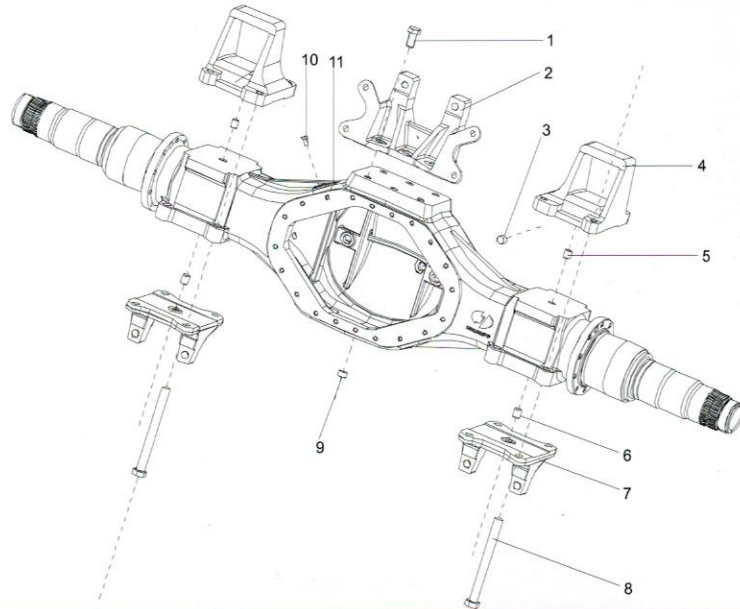
# 13吨/16吨后桥主减 13T/16T Rear axle final drive



| 序号<br>Item | 件号<br>Part No. | 名称                            | Name                               |
|------------|----------------|-------------------------------|------------------------------------|
| 1          | DZ95149320054  | 十二角螺母                         | Nut                                |
| 2          | 81.39115.0175  | 法兰盘                           | Flange plate                       |
| 3          | 81.39135.0004  | 防护罩                           | Dust cap                           |
| 4          | 06.56289.0319  | 油封                            | Oil seal                           |
| 5          | 31313          | 圆锥滚子轴承 FAG 31313A             | Tapered rolling bearing FAG 31313A |
| 6          | DZ90149320043  | 轴承座                           | Bearing block                      |
| 7          | DZ90001500000  | 螺栓GB/T16674.2 M12×1.5×40-10.9 | Bolt GB/T16674.2 M12×1.5×40-10.9   |
| 8          | DZ90149320031  | 调整垫圈0.1                       | Adjusting washer                   |
|            | DZ90149320032  | 调整垫圈0.15                      | Adjusting washer                   |
|            | DZ90149320033  | 调整垫圈0.2                       | Adjusting washer                   |
|            | DZ90149320034  | 调整垫圈0.35                      | Adjusting washer                   |
|            | DZ90149320035  | 调整垫圈0.5                       | Adjusting washer                   |
| 9          | 81.35730.0018  | 集油盘                           | Oil baffle disc                    |
| 10         | 81.90770.0100  | 调整垫片                          | Adjusting washer                   |
| 11         | 81.91701.0350  | 间隔衬套                          | Space bush                         |
| 12         | DZ90149320055  | 圆锥滚子轴承 32314 BX               | Tapered rolling bearing 31314 BX   |
| 13和18      | DZ90149320052  | 锥齿副(i=1.208)                  | Bevel gear pair(i=1.208)           |
|            | DZ90149320070  | 锥齿副(i=1.333)                  | Bevel gear pair (i=1.333)          |
|            | DZ90149320064  | 锥齿副(i=1.5)                    | Bevel gear pair (i=1.5)            |
|            | HD90149320010  | 锥齿副(i=1.706)                  | Bevel gear pair (i=1.706)          |
| 14         | DZ90149320040  | 滑动啮合套                         | Sliding mesh sleeve                |
| 15         | DZ90149320015  | 调整螺母                          | Adjusting nut                      |
| 16         | 32020          | 圆锥滚子轴承 32020                  | Tapered rolling bearing 32020      |
| 17         | HD90149320043  | 六角法兰面承面带齿螺栓                   | Hex flange toothed bolt            |
| 19         | 81.35613.0043  | 半轴齿轮垫片                        | Axle shaft gear washer             |
| 20         | 81.35106.0036  | 半轴齿轮                          | Axle shaft gear                    |
| 21         | 81.25503.0244  | 压力开关(变速器上)                    | Pressure switch                    |
| 22         | Q72318         | 密封垫圈                          | Seal washer                        |
| 23         | Q150B0835      | 六角头螺栓                         | Inner hexagon bolt                 |
| 24         | HD469-2406012  | 气缸盖                           | Cylinder head                      |
| 25         | HD469-2406017  | 密封衬垫                          | Gasket                             |

| 序号<br>Item | 件号<br>Part No. | 名称                 | Name                                   |
|------------|----------------|--------------------|--|
| 26         | HD469-2406015  | O型圈 M7.660-60 34*3 | O-ring M7.660-60 34*3                  |
| 27         | HD469-2406013  | 活塞杆                | Piston rod                             |
| 28         | HD469-2406014  | 衬套                 | Bush                                   |
| 29         | HD469-2402014  | 垫圈DIN988-22*30*0.5 | Adjusting washer DIN 988-22*30*0.5     |
|            | HD469-2402016  | 垫圈DIN98822*30*1    | Adjusting washer DIN 988-22*30*1       |
| 30         | DZ90149320041  | 拨叉                 | Selector fork                          |
| 31         | HD469-2406011  | 差速锁回位弹簧            | Return spring                          |
| 32         | DZ9003800004   | 六角法兰面承面带齿螺栓        | Hex flange toothed bolt                |
| 33         | DZ90149320037  | 主减速器壳总成            | Final drive case                       |
| 34         | Q1811445TF2    | 六角法兰面承面带齿螺栓        | Hex flange toothed bolt                |
| 35         | Q5220816       | 圆柱销 (B型-d公差h8)     | Cylindrical pin(B from-d allowance h8) |
| 36         | Q1800816       | 六角法兰面承面带齿螺栓        | Hex flange toothed bolt                |
| 37         | DZ90149320047  | 锁片                 | Lock piece                             |
| 38         | DZ90149320048  | 瓦盖 (左)             | Bearing cap(left)                      |
| 39         | DZ9003800000   | 六角法兰面承面带齿螺栓        | Hex flange toothed bolt                |
| 40         | DZ90149320049  | 瓦盖 (右)             | Bearing cap(right)                     |
| 41         | DZ9112320373   | 锁片(左)              | Lock piece(left)                       |
| 42         | DZ90149320010  | 行星齿轮               | Planet gear                            |
| 43         | DZ90149320011  | 行星齿轮垫片             | Planet gear washer                     |
| 44         | DZ90149320009  | 十字轴                | Cross shaft                            |
| 45         | DZ90149320008  | 十字轴                | Cross shaft                            |
| 46         | DZ90149320005  | 差速器壳               | Differential case                      |
| 47         | DZ90149320042  | 挡油罩                | Collect oil cap                        |
| 48         | 32017          | 圆锥滚子轴承             | Tapered rolling bearing                |
| 49         | DZ90149320012  | 集油盘                | Collect oil plate                      |
| 50         | DZ90149320013  | 调整螺母               | Adjusting nut                          |

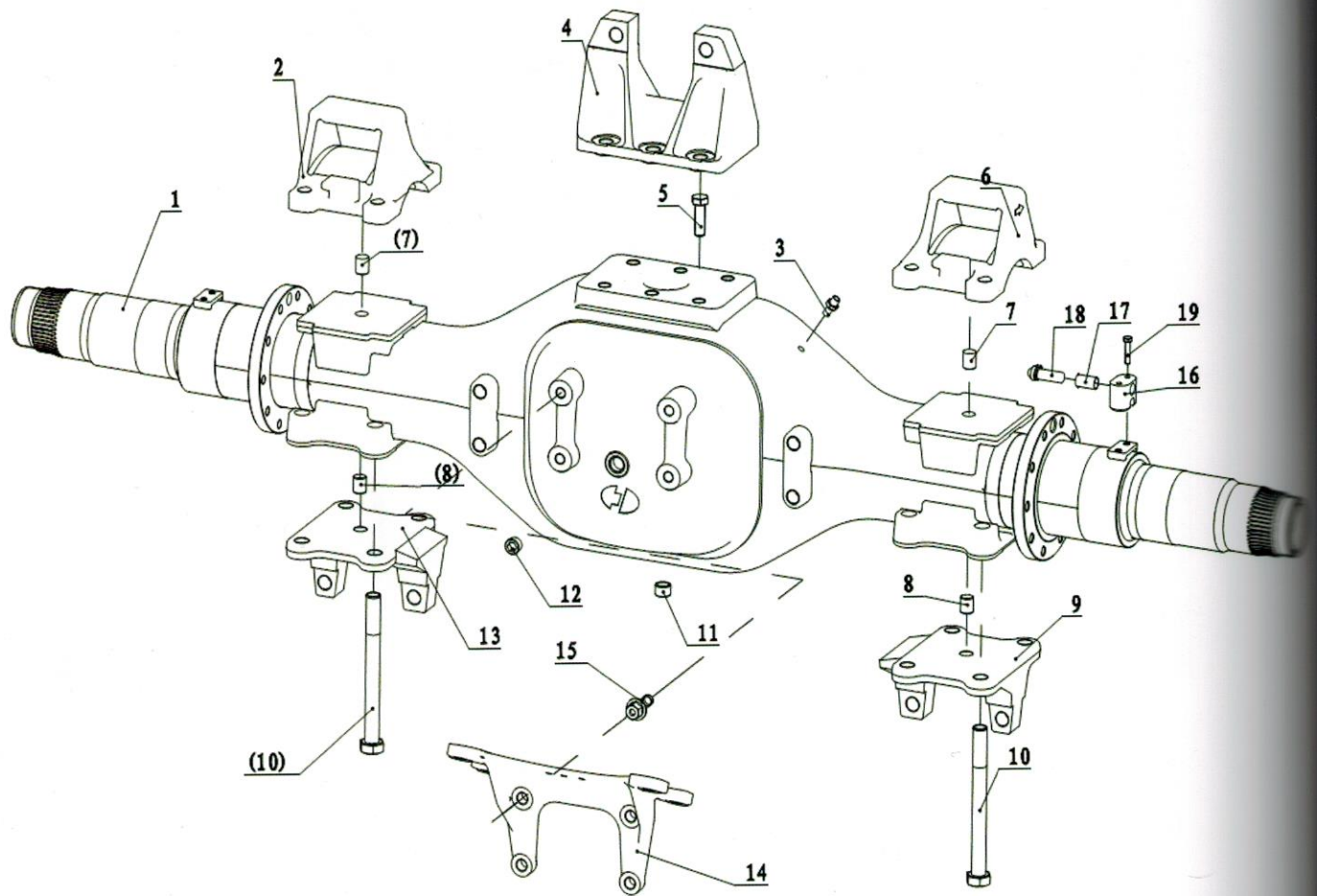
## 16吨后桥桥壳 16T Rear axle housing



| 序号<br>Item | 件号<br>Part No. | 名称      | Name                                |
|------------|----------------|---------|-------------------------------------|
| 1          | Q151B2040TF52  | 六角头螺栓   | Hex bolt                            |
| 2          | 199014340042   | 气室支架    | Chamber bracket                     |
| 3          | 81.90310.0179  | 螺纹堵塞    | Thread plug                         |
| 4          | DZ9114524037   | 后板簧左后支架 | Rear leaf spring left rear bracket  |
|            | DZ9114524038   | 后板簧右后支架 | Rear leaf spring right rear bracket |
| 5          | 199014520256   | 销       | Pin                                 |
| 6          | 190003901905   | 圆柱销     | Cylindrical pin                     |
| 7          | DZ9114520307   | 左支架     | Left bracket                        |
|            | DZ9114520308   | 右支架     | Right bracket                       |
| 8          | DZ9114520119   | 六角头螺栓   | Hex bolt                            |
| 9          | 81.90301.0025  | 油堵      | Oil plug                            |
| 10         | 81.35306.0034  | 直通接头    | Vent joint                          |
| 11         | HD95149330003  | 后桥壳总成   | Rear axle housing assembly          |

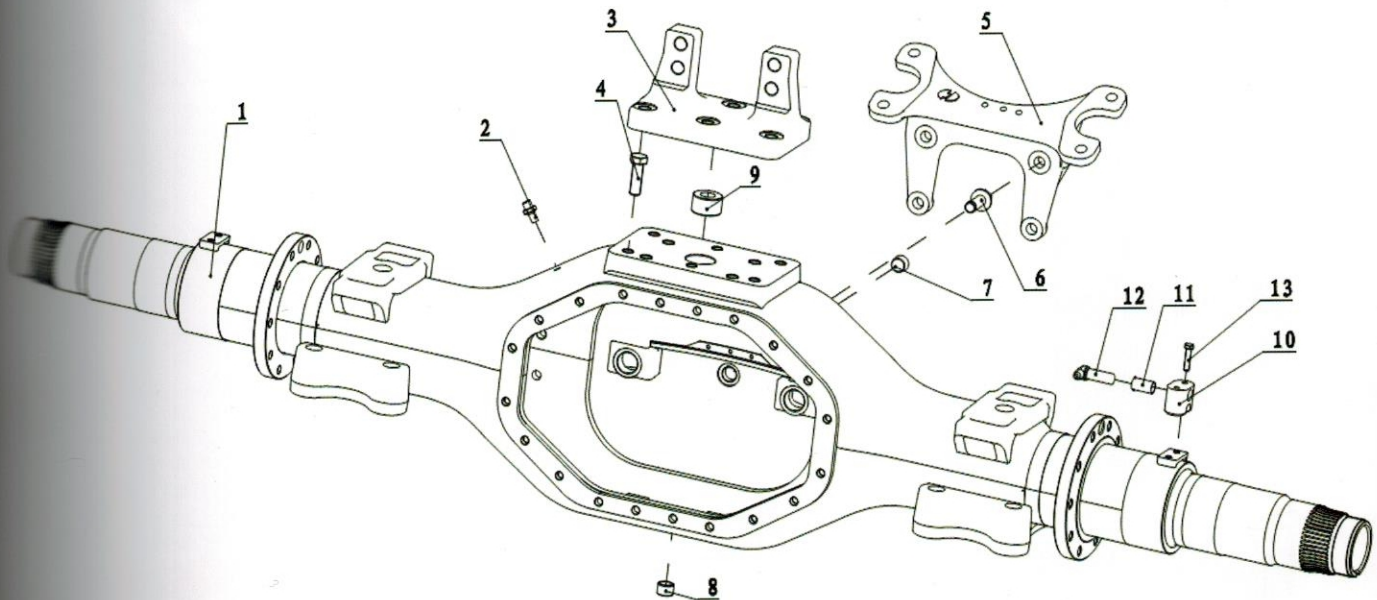
# 13吨后桥桥壳 (STR悬架)

## 13T Rear axle housing (STR suspension)



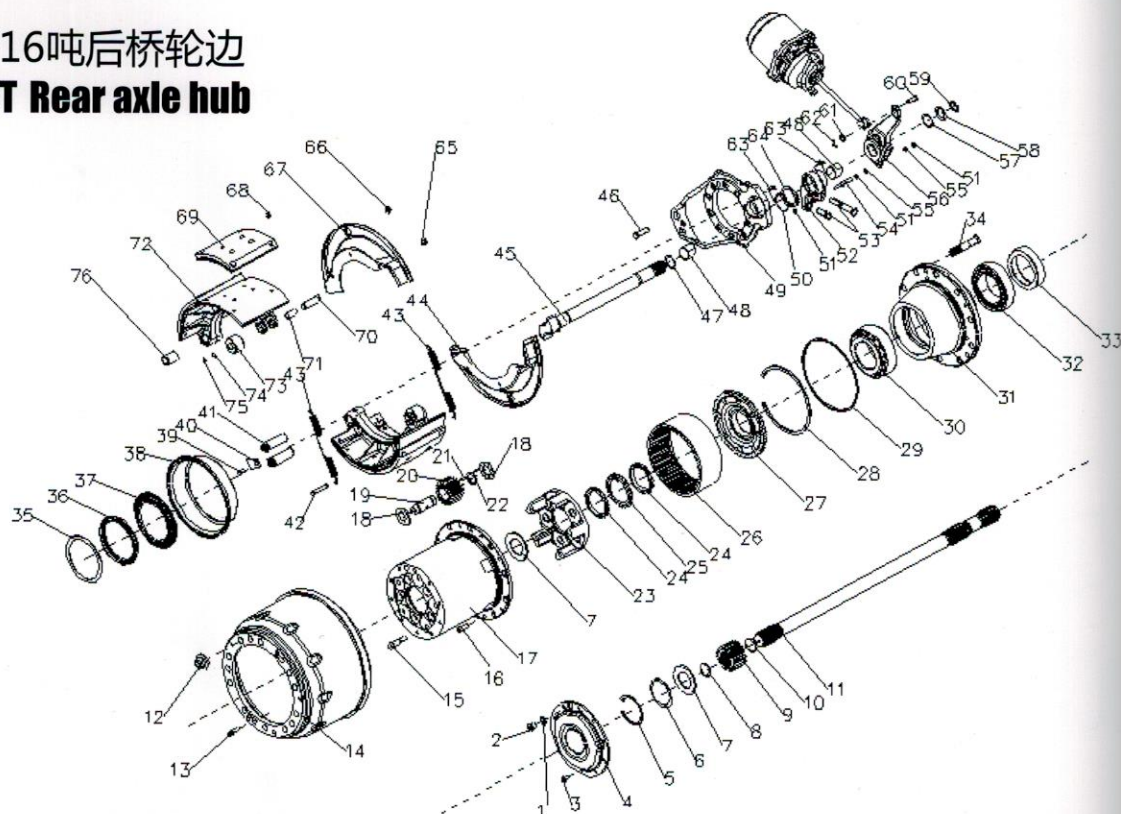
| 序号<br>Item | 件号<br>Part No. | 名称             | Name                                 |
|------------|----------------|----------------|--------------------------------------|
| 1          | HD90129330538  | 驱动桥桥壳总成        | Drive axle housing assembly          |
| 2          | DZ9114520617   | 后板簧右后支架        | Rear leaf spring right front bracket |
|            | DZ91129520032  | 后板簧右后支架        | Rear leaf spring right front bracket |
| 3          | 81.35306.0034  | 直通接头           | Vent joint                           |
| 4          | DZ9112340245   | 上推力杆支架         | Thrust rod bracket                   |
| 5          | Q151B2040TF2   | 六角头螺栓-细牙       | Hex bolt                             |
| 6          | DZ9114520618   | 后板簧左后支架        | Rear leaf spring left front bracket  |
|            | DZ91129520033  | 后板簧左后支架        | Rear leaf spring left front bracket  |
| 7          | 199014520256   | 销              | Pin                                  |
| 8          | 190003901905   | 销              | Pin                                  |
| 9          | HD91129520008  | 下支架 (右)        | Bracket (right)                      |
| 10         | DZ9114520116   | 六角头螺栓          | Hex bolt                             |
| 11         | 81.90310.0179  | 螺纹堵塞           | Screw plug                           |
| 12         | 81.90310.0179  | 螺纹堵塞           | Screw plug                           |
| 13         | HD91129520007  | 下支架 (左)        | Bracket (left)                       |
| 14         | DZ9112340082   | 气室支架           | Chamber bracket                      |
| 15         | Q1811640TF2    | 六角法兰面承面带齿螺栓-细牙 | Hex flange toothed bolt              |
| 16         | DZ9112340100   | ABS支架          | ABS bracket                          |
| 17         | DZ9100580215   | 传感器衬套          | ABS sensor bush                      |
| 18         | DZ9100580214   | 传感器            | ABS sensor                           |
| 19         | Q150B0835      | 六角头螺栓          | Hex bolt                             |

## 13吨后桥桥壳 (MAN悬架) 13T Rear axle housing (MAN suspension)



| 序号<br>Item | 件号<br>Part No. | 名称               | Name  |
|------------|----------------|------------------|---|
| 1          | HD90129330547  | 驱动桥桥壳总成, V推      | Drive axle housing assembly, V thrust                 |
|            | HD90129330549  | 驱动桥桥壳总成, 直推      | Drive axle housing assembly, straight thrust          |
|            | HD90129330560  | 驱动桥桥壳总成, 空气悬架    | Drive axle housing assembly, air suspension           |
| 2          | 81.35306.0034  | 直通接头             | Vent joint  |
| 3          | DZ9112340199   | 后桥推力杆支座, V推、空气悬架 | Drive axle housing assembly, V thrust, air suspension |
|            | HD95129340024  | 后桥推力杆支座, 直推      | Drive axle housing assembly, straight thrust          |
| 4          | Q1811650TF2    | 六角法兰面承面带齿螺栓-细牙   | Hex flange toothed bolt                               |
| 5          | DZ9112340082   | 气室支架             | Chamber bracket                                       |
| 6          | Q1811640TF2    | 六角法兰面承面带齿螺栓-细牙   | Hex flange toothed bolt                               |
| 7          | 81.90310.0179  | 螺纹堵塞             | Screw plug  |
| 8          | 81.90310.0179  | 螺纹堵塞             | Screw plug  |
| 9          | 81.93021.0057  | 衬套               | Bush  |
| 10         | DZ9112340100   | ABS支架            | ABS bracket   |
| 11         | DZ9100580215   | 传感器衬套            | ABS sensor bush                                       |
| 12         | DZ9100580214   | ABS传感器           | ABS sensor  |
| 13         | Q150B0835      | 六角头螺栓            | Hex bolt  |

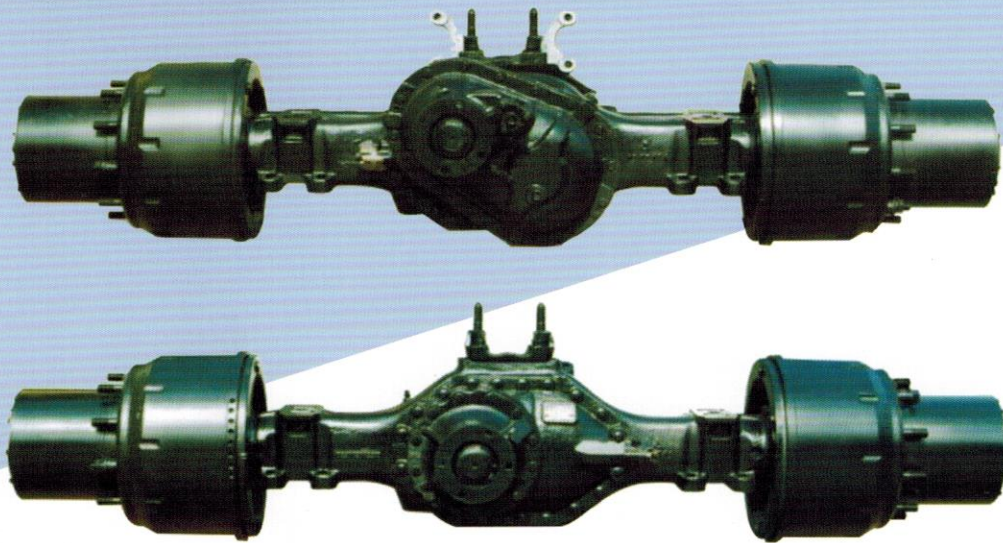
# 13吨/16吨后桥轮边 13T/16T Rear axle hub



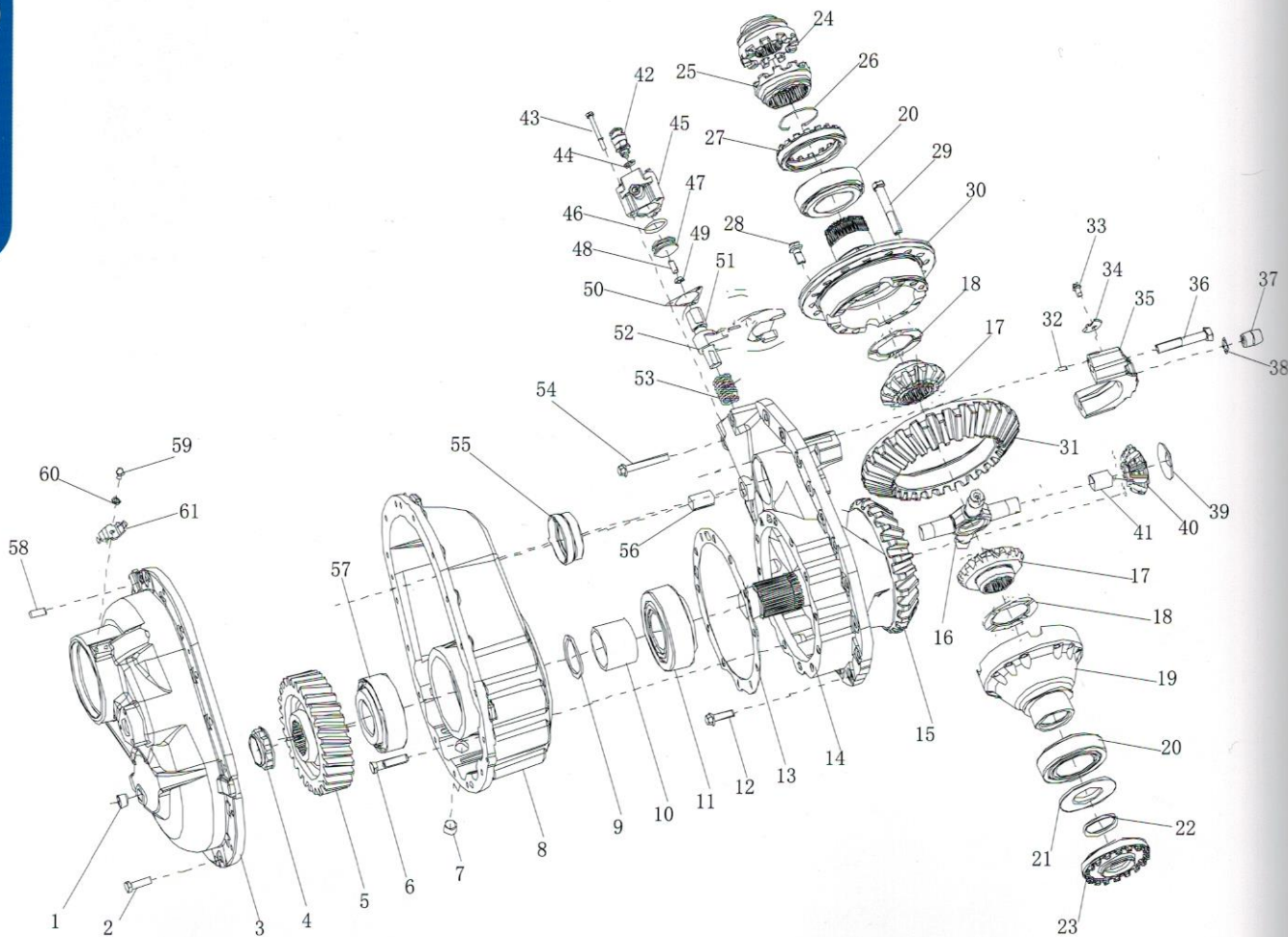
| 序号<br>Item | 件号<br>Part No. | 名称       | Name                        |
|------------|----------------|----------|-----------------------------|
| 1          | 190003098026   | 密封垫圈     | Packing ring                |
| 2          | HD95129340120  | 圆柱头内六角螺塞 | Square head tapered plug    |
| 3          | Q184A1018TF2   | 六角法兰面螺栓  | Hex bolt                    |
| 4          | 81.35114.0086  | 端盖       | End cap                     |
| 5          | 06.29020.0214  | 孔用弹性挡圈   | Circlip for hole            |
| 5          | 06.29020.0216  | 孔用弹性挡圈   | Circlip for hole            |
| 6          | 81.90701.0753  | 调整垫片     | Adjuster shim               |
| 6          | 81.90712.0873  | 调整垫片     | Adjuster shim               |
| 7          | 81.90711.0640  | 止推垫片     | Stop washer                 |
| 7          | 81.90712.0878  | 止推垫片     | Stop washer                 |
| 8          | 06.29200.0117  | 轴用弹性挡圈   | Circlip for axle            |
| 9          | 81.35113.0044  | 太阳轮      | Sun gear                    |
| 9          | 81.35113.0034  | 太阳轮      | Sun gear                    |
| 10         | Q43750         | 轴用钢丝挡圈   | Circlip for axle            |
| 11         | DZ9112340775   | 半轴(左)    | Half shaft(left)            |
| 11         | DZ9112340776   | 半轴(右)    | Half shaft(right)           |
| 12         | 190003884160   | 车轮螺母     | Wheel nut                   |
| 13         | Q2541020       | 十字槽盘头螺钉  | Cross recess pan head screw |
| 14         | 81.50110.0144  | 制动鼓      | Brake drum                  |
| 15         | 81.90010.0067  | 六角头螺栓    | Hex bolt                    |
| 16         | Q2541025       | 十字槽盘头螺钉  | Cross recess pan head screw |
| 17         | 81.35114.0110  | 轮边减速器壳   | Hub reducer case            |
| 17         | 81.35114.0105  | 轮边减速器壳   | Hub reducer case            |
| 18         | 81.90711.0641  | 止推垫片     | Stop washer                 |
| 18         | 81.90712.0878  | 止推垫片     | Stop washer                 |
| 19         | 81.91020.0709  | 行星轮轴     | Planet gear axle            |
| 19         | 81.91020.0698  | 行星轮轴     | Planet gear axle            |
| 20         | 81.35112.0029  | 行星齿轮     | Planet gear                 |
| 20         | 81.35112.0023  | 行星齿轮     | Planet gear                 |
| 21         | 06.32569.0029  | 滚针       | Needle bearing              |
|            | 06.32569.0030  | 滚针       | Needle bearing              |
|            | 06.32569.0031  | 滚针       | Needle bearing              |
|            | 06.32569.0032  | 滚针       | Needle bearing              |
|            | 06.32569.0034  | 滚针       | Needle bearing              |
|            | 06.32569.0035  | 滚针       | Needle bearing              |
|            | 06.32569.0036  | 滚针       | Needle bearing              |
| 22         | 81.90711.0546  | 间隔垫圈     | Space ring                  |
| 22         | 81.90712.0879  | 间隔垫圈     | Space ring                  |

| 序号<br>Item | 件号<br>Part No. | 名称         | Name                                      |
|------------|----------------|------------|---|
| 23         | F81.35114.6113 | 轮边减速器分总成   | Planet carrier                            |
|            | F81.35114.6111 | 轮边减速器分总成   | Planet carrier                            |
| 24         | 81.90620.0048  | 开槽螺母       | Hex nut                                   |
| 25         | 81.90801.0224  | 防松锁片       | Locking washer                            |
| 26         | 81.35111.0021  | 内齿圈        | Inner gear ring                           |
|            | 81.35111.0017  | 内齿圈        | Inner gear ring                           |
| 27         | 81.35114.0019  | 齿圈支架       | Gear ring bearer                          |
|            | 81.35114.0101  | 齿圈支架       | Gear ring bearer                          |
| 28         | DZ95129340046  | 孔用弹性挡圈     | Circlip for hole                          |
|            | DZ95129340045  | 孔用弹性挡圈     | Circlip for hole                          |
| 29         | 06.56341.4254  | O型密封圈      | O-ring                                    |
| 30         | 33220          | 圆锥滚子轴承     | Tapered roller bearing                    |
| 31         | 81.35701.0128  | 轮毂         | Wheel hub                                 |
| 32         | 06.32499.0155  | 圆锥滚子轴承     | Tapered roller bearing                    |
| 33         | DZ9112340280   | 隔圈         | Space ring                                |
| 34         | H150A22120BF3  | 车轮螺栓       | Wheel bolt                                |
|            | H150A22133CZF3 | 车轮螺栓       | Wheel bolt                                |
| 35         | 81.35720.0005  | 挡板         | Baffle                                    |
| 36         | 06.56289.0330  | 油封         | Oil seal                                  |
| 37         | 06.56289.0371  | 油封         | Oil seal                                  |
| 38         | 81.35730.0033  | 挡油罩        | Oil baffle disc                           |
| 39         | 06.02828.4505  | 六角头螺栓      | Hex bolt                                  |
| 40         | 81.90801.0225  | 护板         | Cover sheet                               |
| 41         | 81.50212.0032  | 制动蹄销       | Brake shoe pin                            |
| 42         | 81.50211.0018  | 回位弹簧销      | Return spring pin                         |
| 43         | 81.97610.0115  | 回位弹簧       | Return spring                             |
| 44         | DZ9112340012   | 防尘罩(左)     | Dirt guard (left)                         |
| 45         | DZ9112340117   | 制动凸轮轴(左)   | Brake camshaft(left)                      |
| 45         | DZ9112340118   | 制动凸轮轴(右)   | Brake camshaft(right)                     |
| 46         | Q151B1445TF2   | 六角头螺栓      | Hex bolt                                  |
| 47         | 188000340023   | O形密封圈      | O-ring                                    |
| 48         | 188000340017   | 衬套         | Bush                                      |
| 49         | DZ9112340143   | 制动底板(左)    | Brake backing plate (left)                |
|            | DZ9112340097   | 制动底板(右)    | Brake backing plate (right)               |
| 50         | 188000440010   | 附加垫片       | Washer                                    |
| 51         | Q340B08        | 1型六角薄螺母    | Hex nut                                   |
| 52         | DZ9112340146   | 凸轮轴支座      | Camshaft bracket                          |
| 53         | Q151B16110     | 六角头螺栓      | Hex bolt                                  |
| 54         | Q151B1645      | 六角头螺栓      | Hex bolt                                  |
| 55         | HD90129340259  | 螺纹销        | Screw pin                                 |
| 56         | HD90129340257  | 自动间隙调整臂(左) | Automatic clearance adjusting arm (left)  |
|            | HD90129340258  | 自动间隙调整臂(右) | Automatic clearance adjusting arm (right) |
| 57         | HD90129348285  | 垫圈         | Washer                                    |
| 58         | 108000320028   | 调整垫片       | Adjuster shim                             |
|            | 108000320029   | 调整垫片       | Adjuster shim                             |
|            | 108000320030   | 调整垫片       | Adjuster shim                             |
| 59         | Q43125         | 轴用弹性挡圈     | Circlip for axle                          |
| 60         | 190003903661   | 销          | Pin                                       |
| 61         | 190003935015   | 平垫圈        | Plain washer                              |
| 62         | 190003920328   | 开口销        | Cotter pin                                |
| 63         | 06.38070.0102  | 滑脂嘴        | Grease nipple                             |
| 64         | 190003933300   | 轴用弹性挡圈     | Circlip for axle                          |
| 65         | Q150B1012      | 六角头螺钉      | Hex bolt                                  |
| 66         | 188000340037   | 密封塞        | Choke plug                                |
| 67         | DZ9112340013   | 防尘罩(右)     | Dirt guard (right)                        |
| 68         | 81.92201.0109  | 铆钉         | Rivet                                     |
| 69         | DZ9112340062   | 上摩擦片       | Upper friction plate                      |
|            | DZ9112340063   | 下摩擦片       | Lower friction plate                      |
| 70         | 81.50211.0030  | 销          | Pin                                       |
| 71         | 81.93021.0220  | 衬套         | Bush                                      |
| 72         | DZ9112340061   | 制动蹄        | Brake shoe                                |
| 73         | 81.50213.0013  | 滚轮         | Roller                                    |
| 74         | 06.15113.2615  | 垫圈         | Washer                                    |
| 75         | 190003933072   | 轴用弹性挡圈     | Circlip for axle                          |
| 76         | DZ95009440001  | 衬套         | Bush                                      |

# 汉德 16吨 MAN驱动桥 Hande 16T MAN Driving Axle(HDM300)

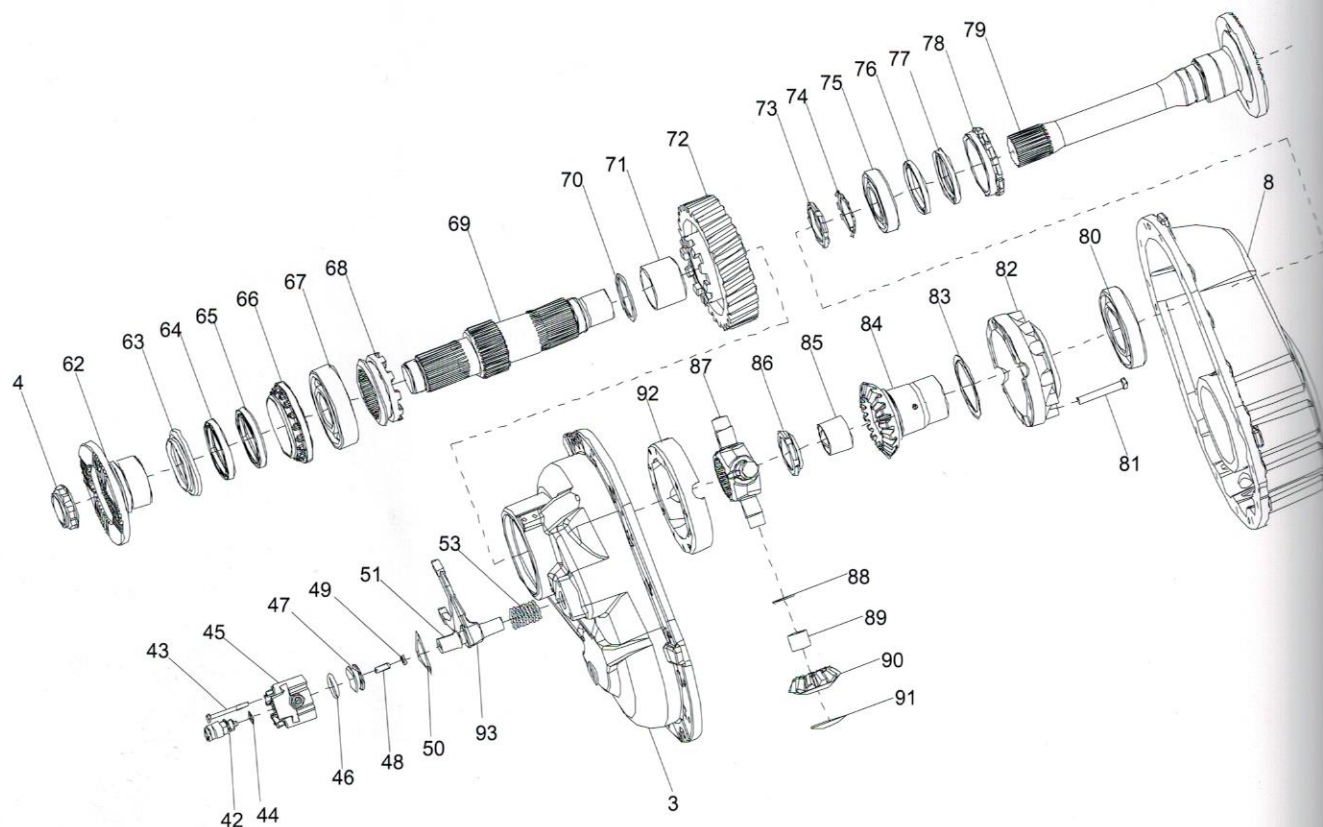


HDM16T双级减速驱动中桥中段  
Middle part of HDM16T double reduction intermediate drive axle



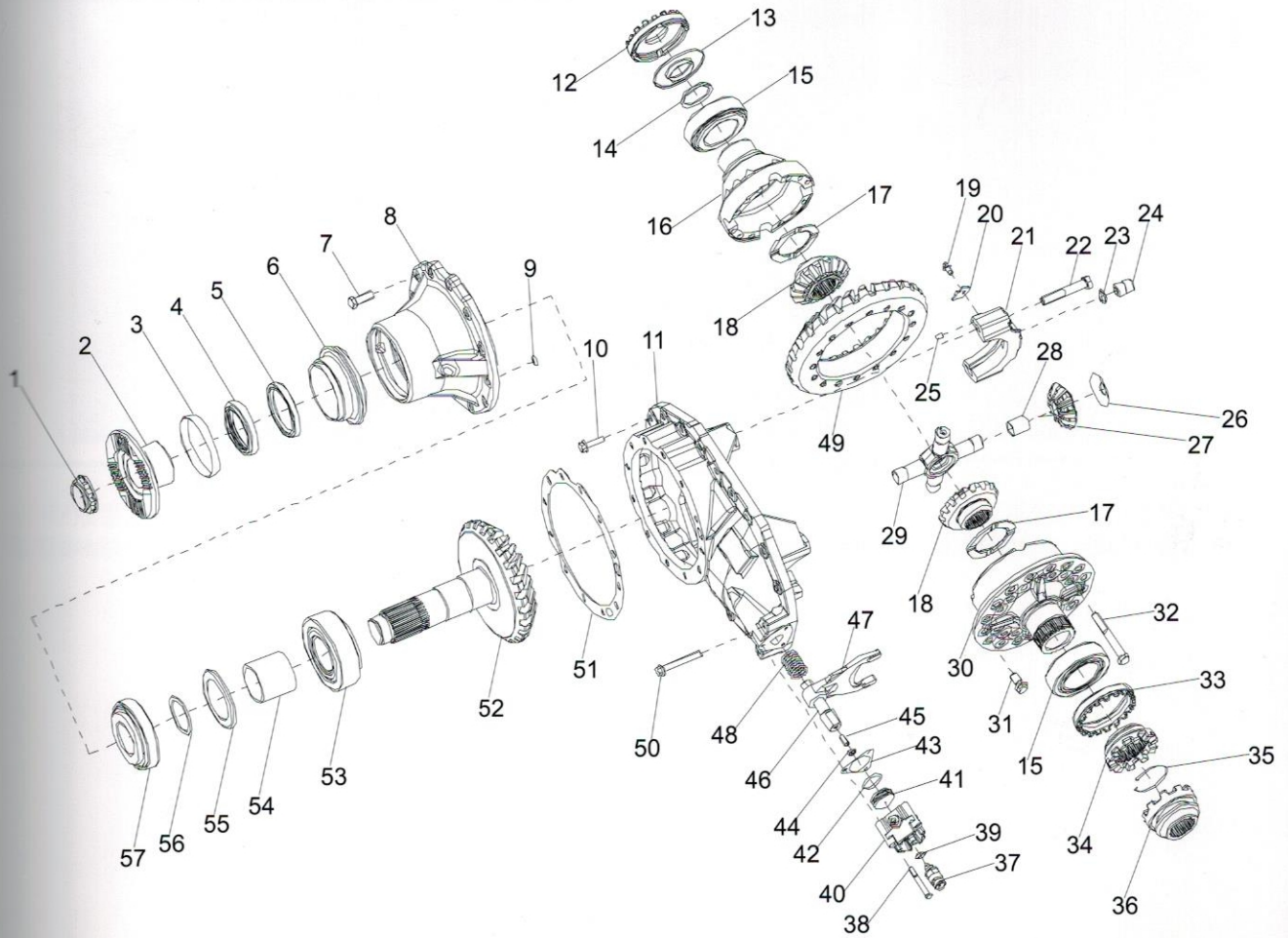
| 序号<br>Item | 件号<br>Part No. | 名称                 | Name                              |
|------------|----------------|--------------------|-----------------------------------|
| 1          | 81.90310.0179  | 螺纹堵塞               | Plug                              |
| 2          | Q151C1240      | 六角头螺栓              | Hex bolt                          |
| 3          | 81.35602.0009  | 过桥箱盖               | Pass-axle box cap                 |
| 4          | DZ95149320054  | 十二角螺母              | Locknut                           |
| 5          | 81.35610.0011  | 过桥箱被动齿轮            | Passive column gear               |
| 6          | Q151B1460TF2   | 六角头螺栓              | Hex bolt                          |
| 7          | 81.90301.0025  | 油堵                 | Oil plug                          |
| 8          | 81.35601.0009  | 过桥箱                | Pass axle box                     |
| 9          | 81.90770.0100  | 调整垫片               | Adjusting washer                  |
| 10         | 81.91701.0349  | 间隔衬套               | Space bush                        |
| 11         | 06.32499.0082  | 圆锥滚子轴承32314B       | Tapered roller bearing32314B      |
| 12         | Q1811440TF2    | 六角法兰面承面带齿螺栓        | Hex Bolt                          |
| 13         | 81.90701.0710  | 调整垫圈               | Adjusting washer                  |
| 14         | DZ9114320970   | 减速器壳总成             | Final drive case                  |
| 15         | 81.35199.6554  | 锥齿轮副               | Bevel gear pair                   |
| 16         | HD95149320039  | 十字轴总成              | Cross axle assembly               |
| 17         | 81.35106.0036  | 半轴齿轮               | Axle shaft gear                   |
| 18         | 81.35613.0043  | 半轴齿轮垫片             | Axle shaft gear washer            |
| 19         | 81.35100.6361  | 差速器壳总成             | Differential case assembly        |
| 20         | 33115          | 圆锥滚子轴承             | Tapered roller bearing            |
| 21         | 81.35125.0002  | 集油盘                | Oil trough                        |
| 22         | 06.56669.0115  | V型圈                | V-ring                            |
| 23         | 81.35125.0012  | 调整螺母               | Adjusting nut                     |
| 24         | 81.35202.0033  | 滑动啮合套              | Shift sleeve                      |
| 25         | 81.35202.0034  | 固定啮合套              | Fixed sleeve                      |
| 26         | 81.90820.0091  | 弹簧夹                | Spring clamp                      |
| 27         | 81.35125.0003  | 调整螺母               | Adjusting nut                     |
| 28         | 81.90490.0331  | 六角法兰面承面带齿螺栓        | Hex bolt                          |
| 29         | Q151B1490TF2   | 六角头螺栓              | Hex bolt                          |
| 30         | 81.35100.6361  | 差速器壳总成             | Differential case                 |
| 31         | 81.35199.6554  | 锥齿轮副               | Bevel gear pair                   |
| 32         | Q5220816       | 销子                 | Pin                               |
| 33         | Q1800816       | 六角头螺栓              | Hex bolt                          |
| 34         | DZ9112320026   | 锁止片                | Lock piece                        |
| 35         | DZ9114320970   | 减速器壳总成             | Reducer housing assembly          |
| 36         | DZ9003800000   | 六角头螺栓              | Hex bolt                          |
| 37         | 81.91001.0421  | 定位销                | Locating pin                      |
| 38         | 06.29019.0013  | 轴用挡圈A25*1.2        | Retainer ring A25*1.2             |
| 39         | 81.90711.0535  | 行星齿轮垫片             | Planet gear washer                |
| 40         | DZ90149320010  | 行星齿轮               | Planet gear                       |
| 41         | HD95149320040  | 衬套                 | Bush                              |
| 42         | 81.25503.0244  | 差速锁压力开关            | Differential lock pressure switch |
| 43         | Q150B0870      | 六角头螺栓              | Hex bolt                          |
| 44         | 190003098020   | 密封垫圈—Q72318T5F     | Seal ring                         |
| 45         | 81.35631.0006  | 差速锁缸               | Differential lock cylinder        |
| 46         | 06.56331.3274  | O型圈                | O-ring                            |
| 47         | 81.35634.0011  | 开关活塞               | Plunger                           |
| 48         | Q2821025       | 螺柱M10*25DIN551-5.8 | Threaded pin M10*25DIN551-5.8     |
| 49         | Q350B10        | 六角薄螺母              | Hex nut                           |
| 50         | 81.96601.0627  | 气缸衬垫               | Gasket                            |
| 51         | 81.35619.0003  | 操纵杆                | Control lever                     |
| 52         | 81.35614.0006  | 差速锁拨叉              | Differential lock fork            |
| 53         | 81.97601.0689  | 弹簧                 | Spring                            |
| 54         | DZ9003800004   | 六角法兰面承面带齿螺栓        | Hex bolt                          |
| 55         | 81.35412.0013  | 中间套                | Intermediate bushing              |
| 56         | 81.91001.0289  | 销钉                 | Pin                               |
| 57         | 06.32499.0019  | 圆锥滚子轴承32313BJ2     | Tapered roller bearing32313BJ2    |
| 58         | Q5211232       | 定位销                | Locating pin                      |
| 59         | Q150B0816      | 六角头螺栓              | Hex bolt                          |
| 60         | Q41408         | 锥形锯齿锁紧垫圈           | Taper serrated lock washer        |
| 61         | 81.90801.0221  | 防松锁片               | Lock piece                        |
| 62         | 81.39115.5061  | 法兰盘总成              | Flange assembly                   |
| 64         | DZ9112320920   | 油封                 | Oil seal                          |
| 66         | 81.90685.0054  | 调整螺母               | Adjusting nut                     |
| 67         | 6313/C4        | 深沟球轴承              | Deep groove ball bearing          |
| 68         | 81.35612.0015  | 滑动啮合套              | Sliding mesh sleeve               |

HDM16T双级减速驱动后桥中段  
Middle part of HDM16T double reduction rear drive axle



| 序号<br>Item | 件号<br>Part No. | 名称                 | Name                                 |
|------------|----------------|--------------------|--------------------------------------|
| 69         | 81.35611.0016  | 主轴                 | Master axle                          |
| 70         | 81.35204.0017  | 止推垫圈               | Thrust washer                        |
| 71         | 81.93020.0449  | 衬套                 | Bush                                 |
| 72         | 81.35610.0031  | 过桥箱主动齿轮            | Active column gear                   |
| 73         | DZ95149320053  | 开槽圆螺母              | Slotted round nut                    |
| 74         | 06.16130.0122  | 防松锁片 A60- DIN70952 | Lock piece A60- DIN70952             |
| 75         | HD90149326033  | 轴承                 | Bearing                              |
| 76         | HD95129320010  | 油封                 | Oil seal                             |
| 78         | 81.90685.0053  | 调整螺母               | Adjusting nut                        |
| 79         | 81.35604.0021  | 过桥轴带发兰(φ180端齿)     | Flange(φ180)                         |
| 80         | 6216/C4        | 深沟球轴承              | Deep groove ball bearing             |
| 81         | Q151C1275TF2   | 六角头螺栓              | Hex bolt                             |
| 82         | 81.35100.6593  | 差速器壳总成             | Differential case assembly           |
| 83         | 81.35204.0030  | 止推垫片               | Thrust washer                        |
| 84         | 81.35617.0002  | 轴间差速器从动齿轮          | Inter-shaft differential driven gear |
| 85         | 81.93020.0450  | 衬套                 | Bush                                 |
| 86         | 81.90620.0087  | 带槽螺母               | Adjusting nut                        |
| 87         | 81.35608.0025  | 十字轴                | Cross axle                           |
| 88         | 81.91710.0445  | 浮动衬套               | Floating bush                        |
| 89         | 81.93021.0219  | 衬套                 | Bush                                 |
| 90         | 81.35609.0009  | 行星齿轮               | Planet gear                          |
| 91         | 81.90701.0721  | 球面垫圈               | spherical washer                     |
| 92         | 81.35100.6593  | 差速器壳总成             | Differential case                    |
| 93         | 81.35614.0001  | 差速锁拨叉              | Differential lock fork               |

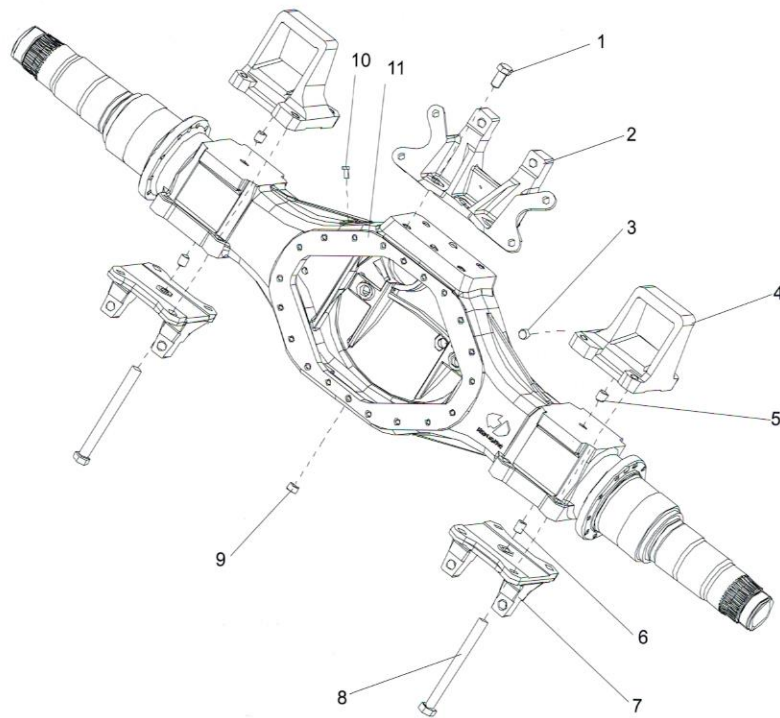
## HDM16T双级减速驱动后桥中段 Middle part of HDM16T double reduction rear drive axle



| 序号<br>Item | 件号<br>Part No. | 名称                   | Name                       |
|------------|----------------|----------------------|----------------------------|
| 1          | DZ95149320054  | 十二角螺母                | Lock nut                   |
| 2          | 81.39115.5080  | 法兰盘总成                | Flange assembly            |
| 4          | DZ9112320920   | 油封                   | Oil seal                   |
| 6          | DZ95149320007  | 油封座                  | Oil seal block             |
| 7          | Q151B1440TF2   | 六角头螺栓                | Hex bolt                   |
| 8          | 81.35601.0020  | 轴承座                  | Bearing block              |
| 9          | 06.56649.0002  | 密封圈                  | Seal ring                  |
| 10         | Q1811440F2     | 六角法兰面承面带齿螺栓          | Hex bolt                   |
| 11         | DZ9112320970   | 减速器壳总成               | Reducer housing assembly   |
| 12         | 81.35125.0012  | 调整螺母                 | Adjusting nut              |
| 13         | 81.35125.0002  | 集油盘                  | Oil trough                 |
| 14         | 06.56669.0115  | V型圈                  | V-ring                     |
| 15         | 33115          | 圆锥滚子轴承               | Tapered roller bearing     |
| 16         | 81.35110.6361  | 差速器壳总成               | Differential case assembly |
| 17         | 81.35613.0043  | 半轴齿轮垫片               | Axle shaft gear washer     |
| 18         | 81.35106.0036  | 半轴齿轮                 | Axle shaft gear            |
| 19         | Q1800816       | 六角头螺栓                | Hex bolt                   |
| 20         | DZ9112320026   | 锁片                   | Lock piece                 |
| 21         | DZ9112320970   | 减速器壳总成               | Reducer housing assembly   |
| 22         | DZ9003800000   | 六角头螺栓M16×1.5×95-10.9 | Hex bolt M16×1.5×95-10.9   |
| 23         | 06.29019.0013  | 轴用挡圈                 | Check ring for axle        |
| 24         | 81.91001.0421  | 定位销                  | Locating pin               |
| 25         | Q5220816       | 销子                   | Pin                        |

| 序号<br>Item | 件号<br>Part No. | 名称          | Name                            |
|------------|----------------|-------------|---------------------------------|
| 26         | 81.90711.0535  | 行星齿轮垫片      | Planet gear washer              |
| 27         | DZ90149320010  | 行星齿轮        | Planet gear                     |
| 28         | HD95149320040  | 衬套          | Bush                            |
| 29         | HD95149320039  | 十字轴总成       | Cross axle assembly             |
| 30         | 81.35100.6361  | 差速器壳总成      | Differential case assembly      |
| 31         | 81.90490.0331  | 六角法兰面承面带齿螺栓 | Hex bolt                        |
| 32         | Q151B1490TF2   | 六角头螺栓       | Hex bolt                        |
| 33         | 81.35125.0003  | 调整螺母        | Adjusting nut                   |
| 34         | 81.35202.0034  | 固定啮合套       | Fixed mesh sleeve               |
| 35         | 81.90820.0091  | 弹簧夹         | Spring clamp                    |
| 36         | 81.35202.0033  | 滑动啮合套       | Sliding mesh sleeve             |
| 37         | 81.25503.0244  | 差速锁压力开关     | Differential lock pressure lock |
| 38         | Q150B0870      | 六角头螺栓       | Hex bolt                        |
| 39         | 190003098020   | 密封垫圈        | Packing ring                    |
| 40         | 81.35631.0006  | 差速锁缸        | Differential lock cylinder      |
| 41         | 81.35634.0011  | 开关活塞        | Plunger                         |

**HDM双级减速驱动桥中桥桥壳**  
**HDM double reduction intermediate drive axle housing**

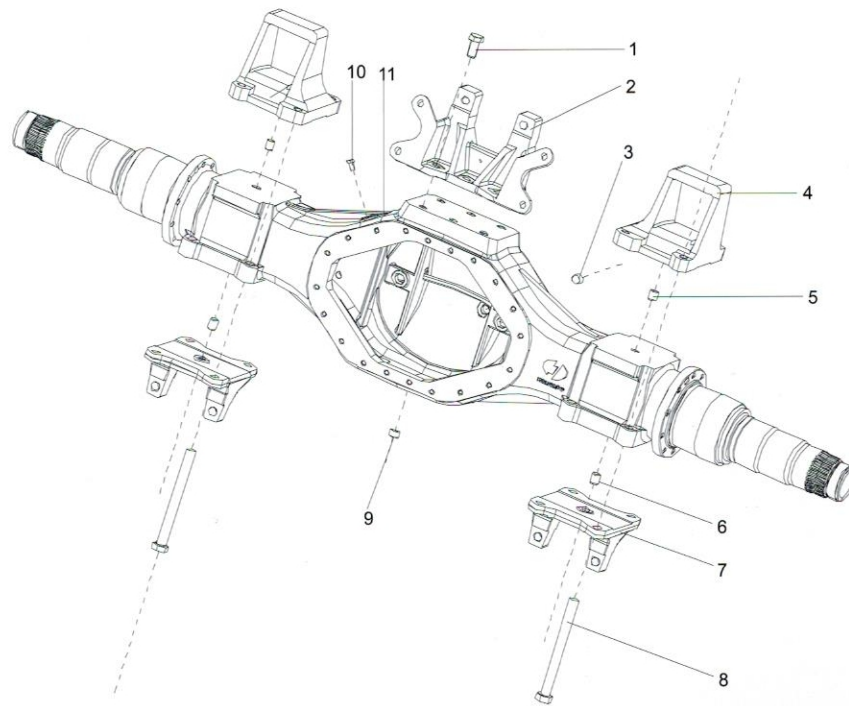


| 序号<br>Item | 件号<br>Part No. | 名称      | Name                                 |
|------------|----------------|---------|--------------------------------------|
| 1          | Q151B2040TF52  | 六角头螺栓   | Hex bolt                             |
| 2          | HD95149340002  | 气室支架    | Chamber bracket                      |
| 3          | 81.90310.0179  | 螺纹堵塞    | Thread plug                          |
| 4          | DZ9114524035   | 后板簧左前支架 | Rear leaf spring left front bracket  |
|            | DZ9114524036   | 后板簧右前支架 | Rear leaf spring right front bracket |
| 5          | 199014520256   | 销       | Pin                                  |
| 6          | 190003901905   | 圆柱销     | Cylindrical pin                      |
| 7          | DZ9114520307   | 左支架     | Left bracket                         |
|            | DZ9114520308   | 右支架     | Right bracket                        |
| 8          | DZ9114520116   | 六角头螺栓   | Hex bolt                             |
| 9          | 81.90301.0025  | 油堵      | Oil plug                             |
| 10         | 81.35306.0034  | 直通接头    | Vent joint                           |
| 11         | HD95149330045  | 中桥壳总成   | Middle axle housing assembly         |

表格接上页 Continued from previous page

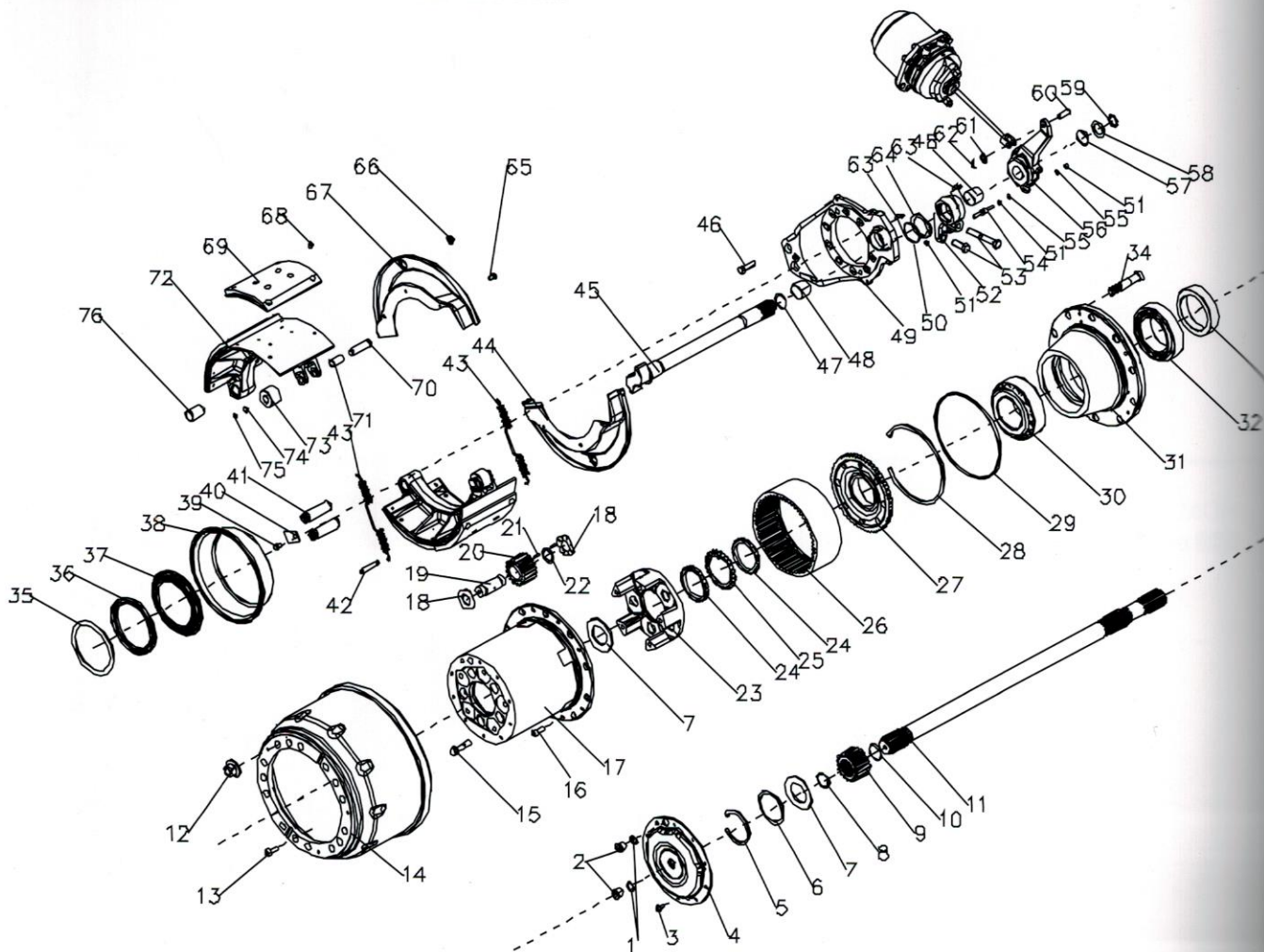
| 序号<br>Item | 件号<br>Part No.     | 名称          | Name                        |
|------------|--------------------|-------------|-----------------------------|
| 42         | 06.56331.3274      | O型圈         | O-ring                      |
| 43         | 81.96601.0627      | 气缸衬垫        | Gasket                      |
| 44         | Q350B10            | 六角薄螺母       | Hex nut                     |
| 45         | Q2821025           | 螺柱          | Threaded pin                |
| 46         | 81.35619.0003      | 操纵杆         | Control lever               |
| 47         | 81.35614.0006      | 拨叉          | Fork                        |
| 48         | 81.97601.0689      | 弹簧          | Spring                      |
| 49         | 81.35199.6535      | 锥齿轮副        | Bevel gear pair             |
| 50         | DZ9003800004       | 六角头螺栓       | Hex bolt                    |
| 51         | 81.90701.0710      | 调整垫圈        | Adjusting washer            |
| 52         | 81.35199.6535      | 锥齿轮副        | Bevel gear pair             |
| 53         | 06.32499.0082      | 圆锥滚子轴承32314 | Tapered roller bearing32314 |
| 54         | 81.91701.0350      | 间隔衬套        | Space bush                  |
| 55         | 81.35730.0018      | 挡油盘         | Oil trough                  |
| 56         | 81.90770.0100-4.20 | 调整垫片        | Adjusting washer            |
| 57         | 31313              | 圆锥滚子轴承      | Tapered roller bearing      |

## HDM双级减速驱动桥后桥桥壳 HDM double reduction rear drive axle housing



| 序号<br>Item | 件号<br>Part No. | 名称      | Name                                |
|------------|----------------|---------|-------------------------------------|
| 1          | Q151B2040TF52  | 六角头螺栓   | Hex bolt                            |
| 2          | 199014340042   | 气室支架    | Chamber bracket                     |
| 3          | 81.90310.0179  | 螺纹堵塞    | Thread plug                         |
| 4          | DZ9114524037   | 后板簧左后支架 | Rear leaf spring left rear bracket  |
| 4          | DZ9114524038   | 后板簧右后支架 | Rear leaf spring right rear bracket |
| 5          | 199014520256   | 销       | Pin                                 |
| 6          | 190003901905   | 圆柱销     | Cylindrical pin                     |
| 7          | DZ9114520307   | 左支架     | Left bracket                        |
| 7          | DZ9114520308   | 右支架     | Right bracket                       |
| 8          | DZ9114520119   | 六角头螺栓   | Hex bolt                            |
| 9          | 81.90301.0025  | 油堵      | Oil plug                            |
| 10         | 81.35306.0034  | 直通接头    | Vent joint                          |
| 11         | HD95149330003  | 后桥壳总成   | Rear axle housing assembly          |

HDM系列双级减速驱动桥轮边  
HDM series double reduction drive axle wheel rim



| 序号<br>Item | 件号<br>Part No. | 名称<br>Name | Name                                      |
|------------|----------------|------------|---|
| 1          | 190003098026   | 密封垫圈       | Seal ring                                 |
| 2          | DZ9112346116   | 圆柱头内六角螺塞   | Hexagon socket plug with cylindrical head |
| 3          | Q184A1018TF2   | 六角法兰面螺栓    | Hex bolt                                  |
| 4          | 81.35114.0086  | 端盖         | End cap                                   |
| 5          | 06.29020.0214  | 孔用弹性挡圈     | Circlip for hole                          |
| 6          | 81.90711.0605  | 调整垫片       | Adjuster shim                             |
| 7          | 81.90711.0640  | 止推垫片       | Stop washer                               |
| 8          | 06.29200.0117  | 轴用弹性挡圈     | Circlip for axle                          |
| 9          | 81.35113.0044  | 太阳轮        | Sun gear                                  |
| 10         | 06.29160.0225  | 轴用弹性挡圈     | Circlip for axle                          |
| 11         | DZ9112340775   | 半轴         | Half shaft                                |
|            | DZ9112340776   | 半轴(带差速锁花键) | Half shaft(with differential lock spline) |
| 12         | 190003884160   | 车轮螺母       | Wheel nut                                 |
| 13         | Q2541020       | 十字槽盘头螺钉    | Slit bolt                                 |
| 14         | 81.50110.0144  | 制动鼓        | Brake drum                                |
| 15         | 81.90010.0067  | 六角头螺栓      | Hex bolt                                  |
| 16         | Q2541025       | 十字槽盘头螺钉    | Slit bolt                                 |
| 17         | 81.35114.6113  | 行星架总成      | Hub redactor case                         |
| 18         | 81.90711.0641  | 止推垫片       | Stop washer                               |
| 19         | 81.91020.0709  | 行星轮轴       | Planet gear axle                          |
| 20         | 81.35112.0029  | 行星齿轮       | Planet gear                               |

| 序号<br>Item | 件号<br>Part No. | 名称          | Name                                      |
|------------|----------------|-------------|---|
| 21         | DZ9112346117   | 滚针          | Needle bearing                            |
| 22         | 81.90711.0546  | 调整垫圈        | Adjusting ring                            |
| 23         | 81.35114.6113  | 行星架总成       | Planet carrier                            |
| 24         | 81.90620.0048  | 开槽螺母        | Slotted nut                               |
| 25         | 81.90801.0224  | 防松锁片        | Locking washer                            |
| 26         | 81.35111.0021  | 内齿圈         | Inner gear ring                           |
| 27         | 81.35114.0019  | 齿圈支架        | Gear ring bearer                          |
| 28         | 06.29020.0301  | 孔用弹性挡圈      | Circlip for hole                          |
| 29         | 06.56341.4254  | O型密封圈       | O-ring                                    |
| 30         | 33220          | 圆锥滚子轴承      | Tapered roller bearing                    |
| 31         | 81.35701.0128  | 轮毂          | Wheel hub                                 |
| 32         | 06.32499.0155  | 圆锥滚子轴承      | Tapered roller bearing                    |
| 33         | DZ9112340280   | 隔圈          | Space ring                                |
| 34         | H150A22120BZF3 | 车轮螺栓        | Wheel bolt                                |
| 35         | 81.35720.0005  | 挡板          | Baffle                                    |
| 36         | 06.56289.0331  | 油封          | Oil seal                                  |
| 37         | 06.56289.0371  | 油封          | Oil seal                                  |
| 38         | 81.35730.0033  | 挡油罩         | Oil baffle cover                          |
| 39         | 06.02828.4505  | 六角头螺栓       | Hex bolt                                  |
| 40         | 81.90801.0225  | 护板          | Cover sheet                               |
| 41         | 81.50212.0032  | 制动蹄销        | Pin                                       |
| 42         | 81.50211.0018  | 回位弹簧销       | Return spring pin                         |
| 43         | 81.97610.0115  | 回位弹簧        | Return spring                             |
| 44         | DZ9112340012   | 防尘罩 (左)     | Dirt guard (left)                         |
| 45         | DZ9112340139   | 制动凸轮轴 (左)   | Brake camshaft(left)                      |
|            | DZ9112340140   | 制动凸轮轴 (右)   | Brake camshaft(right)                     |
| 46         | Q151B1650TF2   | 六角头螺栓       | Hex bolt                                  |
| 47         | 188000340023   | O形密封圈       | O ring                                    |
| 48         | 188000340017   | 衬套          | Bush                                      |
| 49         | DZ9112340239   | 制动底板 (左)    | Brake backing plate(left)                 |
|            | DZ9112340238   | 制动底板 (右)    | Brake backing plate(right)                |
| 50         | 188000440010   | 附加垫片        | Additional gasket                         |
| 52         | DZ9112340146   | 凸轮轴支座       | Camshaft bracket                          |
| 53         | Q151B1645      | 六角头螺栓       | Hex bolt                                  |
|            | Q151B16110     | 六角头螺栓       | Hex bolt                                  |
| 56         | 199000340056   | 间隙调整臂总成 (左) | Clearance adjustment arm assembly (left)  |
|            | 199000340057   | 间隙调整臂总成 (右) | Clearance adjustment arm assembly (right) |
| 57         | 188000340022   | 垫圈          | Washer                                    |
| 58         | 108000320028   | 调整垫片        | Adjuster shim                             |
| 59         | 190003933116   | 轴用弹性挡圈      | Circlip for axle                          |
| 60         | 190003903661   | 销           | Pin                                       |
| 61         | 190003935015   | 平垫圈         | Flat washer                               |
| 62         | 190003920328   | 开口销         | Cotter pin                                |
| 63         | 06.38070.0102  | 滑脂嘴         | Grease nozzle                             |
| 64         | 190003933300   | 轴用弹性挡圈      | Circlip for axle                          |
| 65         | Q150B1012      | 六角头螺钉       | Hex bolt                                  |
| 66         | 188000340037   | 密封塞         | Seal plug                                 |
| 67         | DZ9112340013   | 防尘罩 (右)     | Dirt guard (right)                        |
| 68         | 81.92201.0109  | 铆钉          | Rivet                                     |
| 69         | DZ9112340062   | 上摩擦片        | Upper friction plate                      |
|            | DZ9112340063   | 下摩擦片        | Lower friction plate                      |
| 70         | 81.50211.0030  | 销           | Pin                                       |
| 71         | 81.93021.0220  | 衬套          | Bush                                      |
| 72         | DZ9112340061   | 制动蹄         | Brake shoe                                |
| 73         | 81.50213.0013  | 滚轮          | Roller                                    |
| 74         | 06.15113.2615  | 垫圈          | washer                                    |
| 75         | 190003933072   | 轴用弹性挡圈      | Circlip for axle                          |
| 76         | DZ95009440001  | 衬套          | Bush                                      |

# SHACMAN

## Spare Parts Manual

### PARTS 零部件

- 1.驾驶室部件 Cab parts-----91
- 2.发动机部件 Engine parts-----96
- 3.变速箱部件 Transmission parts-----101
- 4.车桥部件 Axle parts-----106
- 5.底盘部件 Chassis parts-----110
- 6.上装部件 Special vehicle refitment parts-----132

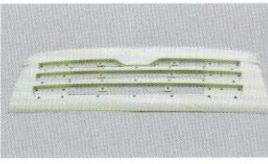


## 1. 驾驶室部件 Cab parts

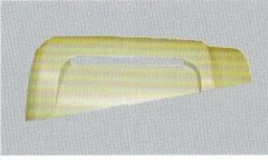
|            |                                 |   |            |                             |   |
|------------|---------------------------------|---|------------|-----------------------------|---|
| Part No.   | DZ14251970020                   |    | Part No.   | DZ96259533001               |    |
| 名称         | 右A柱外装饰板                         |   | 名称         | 膨胀箱                         |   |
| Part Name  | Right A-Pillar Decorating Plate |   | Part Name  | Expansion box               |   |
| Size(mm)   | 900×340×190                     |   | Size(mm)   | 670×300×270                 |   |
| Weight(kg) | 0.67                            |   | Weight(kg) | 2.1                         |   |
| Part No.   | DZ96189270001                   |    | Part No.   | DZ15221330080               |    |
| 名称         | 气喇叭                             |   | 名称         | 右车门限位器                      |   |
| Part Name  | Air horn                        |   | Part Name  | Right door check            |   |
| Size(mm)   | 600×220×150                     |   | Size(mm)   | 150×35×85                   |   |
| Weight(kg) | 1.35                            |   | Weight(kg) | 0.3                         |   |
| Part No.   | DZ95189460408                   |    | Part No.   | DZ97189460514               |    |
| 名称         | 转向伸缩轴                           |   | 名称         | 转向管柱防尘罩(右置)                 |   |
| Part Name  | Telescopic steering shaft       |   | Part Name  | Steering column dust cover  |   |
| Size(mm)   | 690×ø80                         |   | Size(mm)   | 220×185×175                 |   |
| Weight(kg) | 5.02                            |   | Weight(kg) | 0.7                         |   |
| Part No.   | DZ93189360061                   |  | Part No.   | 81.97001.5081               |  |
| 名称         | 手制动阀                            |   | 名称         | 左拉手                         |   |
| Part Name  | Hand brake valve                |   | Part Name  | Left handle                 |   |
| Size(mm)   | 250×110×70                      |   | Size(mm)   | 260×60×70                   |   |
| Weight(kg) | 0.8                             |   | Weight(kg) | 0.2                         |   |
| Part No.   | 81.25505.6607                   |  | Part No.   | 81.25505.6267               |  |
| 名称         | 雾灯翘板开关                          |   | 名称         | 轮间差速锁翘板开关                   |   |
| Part Name  | Fog light rocker switch         |   | Part Name  | Differential locking switch |   |
| Size(mm)   | 55×25×50                        |   | Size(mm)   | 55×25×50                    |   |
| Weight(kg) | 0.04                            |   | Weight(kg) | 0.04                        |   |
| Part No.   | DZ9100586400                    |  | Part No.   | 189200580025                |  |
| 名称         | 中央电器装置板                         |   | 名称         | 后雾灯开关                       |   |
| Part Name  | Electric installation plate     |   | Part Name  | Rear fog light switch       |   |
| Size(mm)   | 300×230×90                      |   | Size(mm)   | 55×25×50                    |   |
| Weight(kg) | 2.37                            |   | Weight(kg) | 0.04                        |   |
| Part No.   | DZ91189582110                   |  | Part No.   | DZ96189721364               |  |
| 名称         | 集成式电器装置板                        |   | 名称         | 室内顶灯                        |   |
| Part Name  | Electrical installation board   |   | Part Name  | Interior roof light         |   |
| Size(mm)   | 385×195×110                     |   | Size(mm)   | 85×210×50                   |   |
| Weight(kg) | 2.3                             |   | Weight(kg) | 0.13                        |   |
| Part No.   | DZ14251240014                   |  | Part No.   | DZ14251240013               |  |
| 名称         | 三级踏板                            |   | 名称         | 二级踏板                        |   |
| Part Name  | Three-level steps               |   | Part Name  | Secondary step              |   |
| Size(mm)   | 395×155×30                      |   | Size(mm)   | 300×175×30                  |   |
| Weight(kg) | 1.25                            |   | Weight(kg) | 1                           |   |
| Part No.   | DZ13241240940                   |  | Part No.   | DZ13241240720               |  |
| 名称         | 铸铝铰链式右下台阶                       |   | 名称         | 右下台阶                        |   |
| Part Name  | Hinge-type right lower step     |   | Part Name  | Right lower step            |   |
| Size(mm)   | 345×170×220                     |   | Size(mm)   | 430×240×55                  |   |
| Weight(kg) | 3.22                            |   | Weight(kg) | 2.46                        |   |
| Part No.   | DZ15221242464                   |  | Part No.   | DZ14251290036               |  |
| 名称         | 下台阶                             |   | 名称         | 左后围护板                       |   |
| Part Name  | Lower stair                     |   | Part Name  | Left rear guard panel       |   |
| Size(mm)   | 345×170×30                      |   | Size(mm)   | 820×580×120                 |   |
| Weight(kg) | 0.62                            |   | Weight(kg) | 0.49                        |   |

|            |   |   |            |                                |   |
|------------|---|---|------------|--------------------------------|---|
| Part No.   | DZ14251841103                             |    | Part No.   | DZ15221330069                  |    |
| 名称         | 鼓风电机总成                                    |   | 名称         | 右车门玻璃                          |   |
| Part Name  | Blower assembly                           |   | Part Name  | Right door glass               |   |
| Size(mm)   | 330×180×160                               |   | Size(mm)   | 915×750×10                     |   |
| Weight(kg) | 7   |   | Weight(kg) | 5.85                           |   |
| Part No.   | 81.62440.0031                             |    | Part No.   | DZ13241240920                  |    |
| 名称         | 黑色铰链                                      |   | 名称         | 铸铝F3000左下台阶                    |   |
| Part Name  | Black hinge                               |   | Part Name  | Left lower step assembly       |   |
| Size(mm)   | 170×120×100                               |   | Size(mm)   | 470×230×30                     |   |
| Weight(kg) | 0.4                                       |   | Weight(kg) | 1.2                            |   |
| Part No.   | 81.25260.6040                             |    | Part No.   | DZ97189585301                  |    |
| 名称         | 示高灯                                       |   | 名称         | 模式风门电机                         |   |
| Part Name  | Height light                              |   | Part Name  | Damper motor                   |   |
| Size(mm)   | 75×55×60                                  |   | Size(mm)   | 120×90×50                      |   |
| Weight(kg) | 0.08                                      |   | Weight(kg) | 0.2                            |   |
| Part No.   | DZ97189585302                             |    | Part No.   | 81.62640.6049                  |    |
| 名称         | 混合风门电机                                    |   | 名称         | 玻璃升降器左                         |   |
| Part Name  | Mixed ventilation motor                   |   | Part Name  | Left window lifter             |   |
| Size(mm)   | 120×90×20                                 |   | Size(mm)   | 640×240×25                     |   |
| Weight(kg) | 0.3                                       |   | Weight(kg) | 4                              |   |
| Part No.   | 81.62640.6050                             |   | Part No.   | DZ95189724010                  |   |
| 名称         | 玻璃升降器右                                    |   | 名称         | 前照灯总成(左)                       |   |
| Part Name  | Right window lifter                       |   | Part Name  | Front headlamp assembly (left) |   |
| Size(mm)   | 640×240×25                                |   | Size(mm)   | 500×350×300                    |   |
| Weight(kg) | 4   |   | Weight(kg) | 6.6                            |   |
| Part No.   | DZ13241210095                             |  | Part No.   | DZ14251841102                  |  |
| 名称         | 右车门总成                                     |   | 名称         | 暖风芯体总成                         |   |
| Part Name  | Right door assembly                       |   | Part Name  | A/C core assembly              |   |
| Size(mm)   | 1640×1440×120                             |   | Size(mm)   | 400×200×250                    |   |
| Weight(kg) | 29.5                                      |   | Weight(kg) | 1.75                           |   |
| Part No.   | DZ13241330410                             |  | Part No.   | AZ9100583052                   |  |
| 名称         | 左窗框                                       |   | 名称         | 继电器                            |   |
| Part Name  | Left window frame                         |   | Part Name  | Power relay                    |   |
| Size(mm)   | 940×650×50                                |   | Size(mm)   | 30×30×30                       |   |
| Weight(kg) | 0.45                                      |   | Weight(kg) | 0.1                            |   |
| Part No.   | DZ93189932117                             |  | Part No.   | DZ97189584123                  |  |
| 名称         | 雾灯装饰板(左)                                  |   | 名称         | 组合仪表(小屏)                       |   |
| Part Name  | Fog light trim panel (left)               |   | Part Name  | Combination gauge              |   |
| Size(mm)   | 260×100×10                                |   | Size(mm)   | 440×220×85                     |   |
| Weight(kg) | 1   |   | Weight(kg) | 2                              |   |
| Part No.   | DZ96189584110                             |  | Part No.   | DZ96189721364                  |  |
| 名称         | 组合仪表 新M3000                               |   | 名称         | 室内顶灯(M3000/LED)                |   |
| Part Name  | Combination gauge                         |   | Part Name  | Interior roof light            |   |
| Size(mm)   | 400×230×60                                |   | Size(mm)   | 200×85×50                      |   |
| Weight(kg) | 1.11                                      |   | Weight(kg) | 0.18                           |   |
| Part No.   | DZ96189812110                             |  | Part No.   | DZ13241845237                  |  |
| 名称         | 侧转向灯带护壳                                   |   | 名称         | 压缩机-冷凝器连接管                     |   |
| Part Name  | Side steering light with protective shell |   | Part Name  | Connecting pipe                |   |
| Size(mm)   | 130×80×70                                 |   | Size(mm)   | ∅30×640                        |   |
| Weight(kg) | 0.19                                      |   | Weight(kg) | 1                              |   |
| Part No.   | 81.62651.0045                             |  | Part No.   | A0.00182.8078                  |  |
| 名称         | 车窗导轨                                      |   | 名称         | 黑色嵌条                           |   |
| Part Name  | Window track                              |   | Part Name  | Black slug                     |   |
| Size(mm)   | 1600×20×20                                |   | Size(mm)   | ∅20×1700                       |   |
| Weight(kg) | 0.3                                       |   | Weight(kg) | 0.8                            |   |

|            |               |
|------------|---------------|
| Part No.   | DZ13241110011 |
| 名称         | 前面罩           |
| Part Name  | Front grille  |
| Size(mm)   | 2500×1100×60  |
| Weight(kg) | 34            |



|            |                           |
|------------|---------------------------|
| Part No.   | DZ13241870012             |
| 名称         | 右扰流板外板                    |
| Part Name  | Right spoiler outer plate |
| Size(mm)   | 735×345×110               |
| Weight(kg) | 2.2                       |



|            |                           |
|------------|---------------------------|
| Part No.   | DZ93189723021             |
| 名称         | 右前灯总成                     |
| Part Name  | Right head light assembly |
| Size(mm)   | 460×200×180               |
| Weight(kg) | 2.8                       |



|            |                      |
|------------|----------------------|
| Part No.   | DZ97259820101        |
| 名称         | 翻转油缸                 |
| Part Name  | Tilting oil cylinder |
| Size(mm)   | 570×110×57           |
| Weight(kg) | 11                   |



|            |                   |
|------------|-------------------|
| Part No.   | DZ93189582270     |
| 名称         | 组合仪表(ISM)         |
| Part Name  | Combination gauge |
| Size(mm)   | 480×250×90        |
| Weight(kg) | 12                |



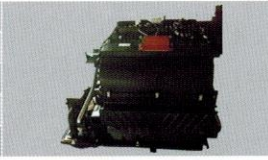
|            |                       |
|------------|-----------------------|
| Part No.   | DZ93189723014         |
| 名称         | 前照灯护罩(左)              |
| Part Name  | Headlamp shield(left) |
| Size(mm)   | 520×290×65            |
| Weight(kg) | 0.25                  |



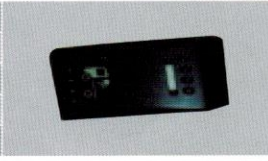
|            |               |
|------------|---------------|
| Part No.   | DZ13241110014 |
| 名称         | 格栅            |
| Part Name  | Lower grid    |
| Size(mm)   | 1300×250×20   |
| Weight(kg) | 3             |



|            |                       |
|------------|-----------------------|
| Part No.   | DZ13241841066         |
| 名称         | 自动空调本体                |
| Part Name  | Automatic AC assembly |
| Size(mm)   | 800×750×600           |
| Weight(kg) | 9.7                   |



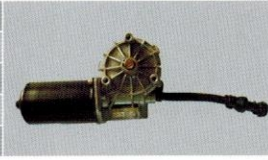
|            |                        |
|------------|------------------------|
| Part No.   | DZ97189584722          |
| 名称         | 后工作灯开关                 |
| Part Name  | Rear work light switch |
| Size(mm)   | 50×40×20               |
| Weight(kg) | 0.1                    |



|            |               |
|------------|---------------|
| Part No.   | 81.25505.6255 |
| 名称         | 灯光翘板开关        |
| Part Name  | Light switch  |
| Size(mm)   | 20×20×10      |
| Weight(kg) | 0.1           |



|            |               |
|------------|---------------|
| Part No.   | DZ14251740010 |
| 名称         | 雨刮电机          |
| Part Name  | Wiper motor   |
| Size(mm)   | 240×120×120   |
| Weight(kg) | 1.8           |



|            |                    |
|------------|--------------------|
| Part No.   | DZ13241230416      |
| 名称         | 右前翼子板              |
| Part Name  | Right front fender |
| Size(mm)   | 640×420×160        |
| Weight(kg) | 14                 |



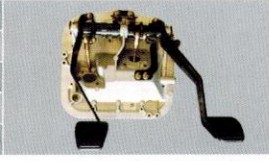
|            |                          |
|------------|--------------------------|
| Part No.   | DZ93189723011            |
| 名称         | 左前灯总成                    |
| Part Name  | Left head light assembly |
| Size(mm)   | 460×200×180              |
| Weight(kg) | 2.8                      |



|            |                        |
|------------|------------------------|
| Part No.   | DZ97189584713          |
| 名称         | 危急报警灯开关                |
| Part Name  | Emergency light switch |
| Size(mm)   | 50×30×20               |
| Weight(kg) | 0.1                    |



|            |                |
|------------|----------------|
| Part No.   | SZ923000713    |
| 名称         | 踏板机构总成         |
| Part Name  | Pedal assembly |
| Size(mm)   | 410×340×340    |
| Weight(kg) | 6.3            |



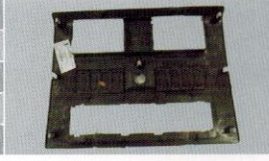
|            |                         |
|------------|-------------------------|
| Part No.   | DZ97189585120           |
| 名称         | 右车门控制模块                 |
| Part Name  | Right door control unit |
| Size(mm)   | 125×55×50               |
| Weight(kg) | 0.1                     |



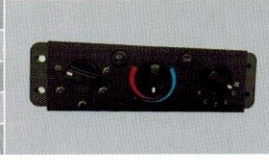
|            |                        |
|------------|------------------------|
| Part No.   | DZ93189723024          |
| 名称         | 前照灯护罩(右)               |
| Part Name  | Headlamp shield(right) |
| Size(mm)   | 520×290×65             |
| Weight(kg) | 0.25                   |



|            |                        |
|------------|------------------------|
| Part No.   | DZ13241162160          |
| 名称         | 中间空调护面                 |
| Part Name  | Middle A/C guard panel |
| Size(mm)   | 130×320×35             |
| Weight(kg) | 0.45                   |



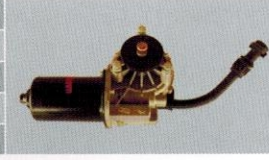
|            |                |
|------------|----------------|
| Part No.   | DZ96189585308  |
| 名称         | 空调控制器          |
| Part Name  | A/C controller |
| Size(mm)   | 240×65×70      |
| Weight(kg) | 0.25           |



|            |                         |
|------------|-------------------------|
| Part No.   | DZ97189585305           |
| 名称         | 暖风电控单元                  |
| Part Name  | Electronic control unit |
| Size(mm)   | 100×70×270              |
| Weight(kg) | 0.15                    |



|            |               |
|------------|---------------|
| Part No.   | 81.26401.6130 |
| 名称         | 雨刮电机2L        |
| Part Name  | Wiper motor   |
| Size(mm)   | 220×140×90    |
| Weight(kg) | 1.65          |



|            |                |
|------------|----------------|
| Part No.   | 81.61510.0225  |
| 名称         | 左门台阶           |
| Part Name  | Left door step |
| Size(mm)   | 730×600×210    |
| Weight(kg) | 6.05           |



|            |                               |   |            |                            |   |
|------------|-------------------------------|---|------------|----------------------------|---|
| Part No.   | 81.26440.0038                 |    | Part No.   | DZ13241770913              |    |
| 名称         | 刮水器片                          |   | 名称         | 广角外视镜                      |   |
| Part Name  | Wiper blade                   |   | Part Name  | Wide-angle external mirror |   |
| Size(mm)   | 835×130×70                    |   | Size(mm)   | 960×290×280                |   |
| Weight(kg) | 0.57                          |   | Weight(kg) | 5.35                       |   |
| Part No.   | 81.61910.0011                 |    | Part No.   | DZ13241330250              |    |
| 名称         | 暖风机进风口滤网                      |   | 名称         | 左车门内护面                     |   |
| Part Name  | Heater air inlet strainer     |   | Part Name  | Left door inner lining     |   |
| Size(mm)   | 390×165×20                    |   | Size(mm)   | 1005×560×70                |   |
| Weight(kg) | 0.06                          |   | Weight(kg) | 1.2                        |   |
| Part No.   | 81.62640.6057                 |    | Part No.   | DZ13241770930              |    |
| 名称         | 左玻璃升降器                        |   | 名称         | 补盲外视镜                      |   |
| Part Name  | Left window lifter            |   | Part Name  | Blind-Spot Mirror          |   |
| Size(mm)   | 450×260×65                    |   | Size(mm)   | 350×200×50                 |   |
| Weight(kg) | 1.3                           |   | Weight(kg) | 1.072                      |   |
| Part No.   | DZ96189584607                 |    | Part No.   | DZ13241824531              |    |
| 名称         | 轮间闭锁开关                        |   | 名称         | 冷凝器-干燥罐连接管                 |   |
| Part Name  | Differential locking switch   |   | Part Name  | Connecting pipe            |   |
| Size(mm)   | 44×22×20                      |   | Size(mm)   | 770×70×80                  |   |
| Weight(kg) | 0.02                          |   | Weight(kg) | 0.5                        |   |
| Part No.   | DZ1643340030                  |   | Part No.   | DZ13241770940              |   |
| 名称         | 左车门锁                          |   | 名称         | 前视镜                        |   |
| Part Name  | Left door lock                |   | Part Name  | Front-view mirror          |   |
| Size(mm)   | 110×65×25                     |   | Size(mm)   | 830×280×160                |   |
| Weight(kg) | 0.9                           |   | Weight(kg) | 2.13                       |   |
| Part No.   | DZ96189460553                 |  | Part No.   | DZ13241770913              |  |
| 名称         | 点火锁                           |   | 名称         | 广角外视镜                      |   |
| Part Name  | Ignition Switch               |   | Part Name  | Wide-angle external mirror |   |
| Size(mm)   | 160×80×20                     |   | Size(mm)   | 270×200×160                |   |
| Weight(kg) | 3.1                           |   | Weight(kg) | 1.15                       |   |
| Part No.   | DZ93189584150                 |  | Part No.   | 81.26430.0083              |  |
| 名称         | 组合仪表                          |   | 名称         | 刮水器臂/右置                    |   |
| Part Name  | Combination gauge             |   | Part Name  | Wiper arm/for RHD          |   |
| Size(mm)   | 480×250×55                    |   | Size(mm)   | 575×60×30                  |   |
| Weight(kg) | 1.835                         |   | Weight(kg) | 0.4                        |   |
| Part No.   | 81.32670.6184                 |  | Part No.   | 81.62651.0049              |  |
| 名称         | 变速杆                           |   | 名称         | 密封件                        |   |
| Part Name  | Gear lever assembly           |   | Part Name  | Seal                       |   |
| Size(mm)   | 530×ø310                      |   | Size(mm)   | 610×20×20                  |   |
| Weight(kg) | 3.75                          |   | Weight(kg) | 0.12                       |   |
| Part No.   | 81.62941.6038                 |  | Part No.   | DZ95189583666              |  |
| 名称         | 天窗                            |   | 名称         | 扬声器                        |   |
| Part Name  | Sunroof                       |   | Part Name  | Loudspeaker                |   |
| Size(mm)   | 935×450×70                    |   | Size(mm)   | ø120×45                    |   |
| Weight(kg) | 7.7                           |   | Weight(kg) | 0.12                       |   |
| Part No.   | DZ95189586602                 |  | Part No.   | DZ13241845013              |  |
| 名称         | 电动玻璃升降开关                      |   | 名称         | 杰克赛尔压缩机                    |   |
| Part Name  | Electric glass lifting switch |   | Part Name  | Compressor                 |   |
| Size(mm)   | 250×30×30                     |   | Size(mm)   | ø125×240                   |   |
| Weight(kg) | 0.08                          |   | Weight(kg) | 6.9                        |   |
| Part No.   | DZ13241841114                 |  | Part No.   | DZ93189585807              |  |
| 名称         | 鼓风机电机/F2000                   |   | 名称         | 雨刮/闪光间隙控制器                 |   |
| Part Name  | Blower motor assembly         |   | Part Name  | Wiper/flash gap controller |   |
| Size(mm)   | 350×160×140                   |   | Size(mm)   | 60×60×28                   |   |
| Weight(kg) | 2.15                          |   | Weight(kg) | 0.27                       |   |

|            |                     |
|------------|---------------------|
| Part No.   | 81.27110.6048       |
| 名称         | 电子里程表               |
| Part Name  | Electronic odometer |
| Size(mm)   | 150×85×150          |
| Weight(kg) | 0.45                |



|            |                  |
|------------|------------------|
| Part No.   | 81.25902.0376    |
| 名称         | 延时继电器            |
| Part Name  | Time delay relay |
| Size(mm)   | 60×45×25         |
| Weight(kg) | 0.1              |



|            |                       |
|------------|-----------------------|
| Part No.   | 81.25902.0410         |
| 名称         | 继电器/转换式               |
| Part Name  | Relay/Conversion type |
| Size(mm)   | 25×25×35              |
| Weight(kg) | 0.1                   |



|            |             |
|------------|-------------|
| Part No.   | SZ144000756 |
| 名称         | 驾驶室锁止       |
| Part Name  | Cab lock    |
| Size(mm)   | 235×165×45  |
| Weight(kg) | 2.5         |



|            |                  |
|------------|------------------|
| Part No.   | SZ111000711      |
| 名称         | 面罩锁锁头            |
| Part Name  | Front cover lock |
| Size(mm)   | 50×34×31         |
| Weight(kg) | 0.065            |



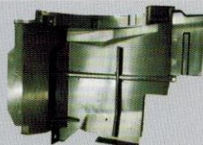
|            |                     |
|------------|---------------------|
| Part No.   | DZ13241510013       |
| 名称         | 左液压座椅               |
| Part Name  | Left hydraulic seat |
| Size(mm)   | 1130×600×500        |
| Weight(kg) | 32.06               |



|            |                 |
|------------|-----------------|
| Part No.   | DZ15221330059   |
| 名称         | 左车门玻璃           |
| Part Name  | Left door glass |
| Size(mm)   | 915×750×10      |
| Weight(kg) | 5.85            |



|            |                    |
|------------|--------------------|
| Part No.   | DZ14251230016      |
| 名称         | 右前挡泥板              |
| Part Name  | Right front fender |
| Size(mm)   | 835×620×160        |
| Weight(kg) | 1.2                |



|            |                   |
|------------|-------------------|
| Part No.   | DZ14251770012     |
| 名称         | 前视镜总成/N           |
| Part Name  | Front-view mirror |
| Size(mm)   | 960×550×160       |
| Weight(kg) | 2.72              |



|            |                         |
|------------|-------------------------|
| Part No.   | DZ14251340026           |
| 名称         | 右车门内拉手                  |
| Part Name  | Right door inner handle |
| Size(mm)   | 135×80×60               |
| Weight(kg) | 0.1                     |



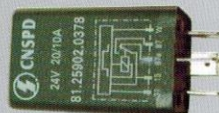
|            |                              |
|------------|------------------------------|
| Part No.   | DZ97189460520                |
| 名称         | 多功能方向盘                       |
| Part Name  | Multifunction steering wheel |
| Size(mm)   | ø450×120                     |
| Weight(kg) | 2.9                          |



|            |                  |
|------------|------------------|
| Part No.   | 81.25935.6706    |
| 名称         | F2000空调控制单元      |
| Part Name  | A/C control unit |
| Size(mm)   | 125×70×55        |
| Weight(kg) | 0.1              |



|            |                    |
|------------|--------------------|
| Part No.   | 81.25902.0378      |
| 名称         | 发动机极限值继电器          |
| Part Name  | Engine limit relay |
| Size(mm)   | 70×35×35           |
| Weight(kg) | 0.1                |



|            |                       |
|------------|-----------------------|
| Part No.   | 81.25902.0460         |
| 名称         | 继电器/转换式               |
| Part Name  | Relay/Conversion type |
| Size(mm)   | 40×27×27              |
| Weight(kg) | 0.1                   |



|            |                          |
|------------|--------------------------|
| Part No.   | DZ95189582361            |
| 名称         | 自动空调控制器                  |
| Part Name  | Automatic A/C controller |
| Size(mm)   | 135×75×85                |
| Weight(kg) | 0.321                    |



|            |                                    |
|------------|------------------------------------|
| Part No.   | SZ111000710                        |
| 名称         | 面罩锁锁座及拉杆                           |
| Part Name  | Front cover lock seat and pull rod |
| Size(mm)   | 125×110×70                         |
| Weight(kg) | 0.85                               |



|            |                                |
|------------|--------------------------------|
| Part No.   | DZ15221510011                  |
| 名称         | M3000左空气悬浮座椅                   |
| Part Name  | M3000 Left air suspension seat |
| Size(mm)   | 1150×600×520                   |
| Weight(kg) | 36.2                           |



|            |                     |
|------------|---------------------|
| Part No.   | DZ93189721306       |
| 名称         | 驾驶室后围照明灯            |
| Part Name  | Cab rear side light |
| Size(mm)   | 140×90×50           |
| Weight(kg) | 0.13                |



|            |                    |
|------------|--------------------|
| Part No.   | DZ1640230024       |
| 名称         | 右前挡泥板              |
| Part Name  | Right front fender |
| Size(mm)   | 540×640×130        |
| Weight(kg) | 0.63               |



|            |               |
|------------|---------------|
| Part No.   | DZ14251740014 |
| 名称         | X3000雨刮片      |
| Part Name  | Wiper blade   |
| Size(mm)   | 880×110×30    |
| Weight(kg) | 0.67          |



|            |                          |
|------------|--------------------------|
| Part No.   | DZ97189585312            |
| 名称         | 自动空调控制器                  |
| Part Name  | Automatic A/C controller |
| Size(mm)   | 190×70×80                |
| Weight(kg) | 0.24                     |



|            |               |
|------------|---------------|
| Part No.   | 81.62680.0055 |
| 名称         | 锁紧楔           |
| Part Name  | Lock wedge    |
| Size(mm)   | 25×70×50      |
| Weight(kg) | 0.47          |



## 2. 发动机部件 Engine parts

|            |                            |   |            |                                 |   |
|------------|----------------------------|---|------------|---------------------------------|---|
| Part No.   | BY612600040114             |    | Part No.   | BY61560110242                   |    |
| 名称         | 气门杆密封套                     |   | 名称         | 排气管衬垫                           |   |
| Part Name  | Valve rod seal sleeve      |   | Part Name  | Exhaust pipe gasket             |   |
| Size(mm)   | 20×20×11                   |   | Size(mm)   | 228×123×1                       |   |
| Weight(kg) | 0.01                       |   | Weight(kg) | 0.01                            |   |
| Part No.   | BY612600040355             |    | Part No.   | BY81500010046                   |    |
| 名称         | 气缸盖垫片                      |   | 名称         | 主轴瓦                             |   |
| Part Name  | Cylinder head gasket       |   | Part Name  | Main bearing bush component set |   |
| Size(mm)   | 150×230×1                  |   | Size(mm)   | 120×55×35                       |   |
| Weight(kg) | 0.01                       |   | Weight(kg) | 2.21                            |   |
| Part No.   | BY612600061697             |    | Part No.   | BY612600116748                  |    |
| 名称         | 水泵                         |   | 名称         | 前排气歧管                           |   |
| Part Name  | Water pump                 |   | Part Name  | Front exhaust manifold          |   |
| Size(mm)   | 213×198×246                |   | Size(mm)   | 445×130×135                     |   |
| Weight(kg) | 17.6                       |   | Weight(kg) | 8.15                            |   |
| Part No.   | BY1000495052               |    | Part No.   | BY612600091116                  |   |
| 名称         | 气门推杆                       |   | 名称         | 发电机                             |   |
| Part Name  | Push rod                   |   | Part Name  | Generator                       |   |
| Size(mm)   | 403×∅15                    |   | Size(mm)   | 210×190×150                     |   |
| Weight(kg) | 0.35                       |   | Weight(kg) | 7.39                            |   |
| Part No.   | BY1000179901               |  | Part No.   | BY612600061730                  |  |
| 名称         | 发电机                        |   | 名称         | 节温器                             |   |
| Part Name  | Generator                  |   | Part Name  | Thermostat                      |   |
| Size(mm)   | 150×∅180                   |   | Size(mm)   | 160×145×100                     |   |
| Weight(kg) | 6.11                       |   | Weight(kg) | 0.38                            |   |
| Part No.   | BY612600020692             |  | Part No.   | BY13032956                      |  |
| 名称         | 减震器                        |   | 名称         | 进气管                             |   |
| Part Name  | Shock absorber             |   | Part Name  | Air intake tube                 |   |
| Size(mm)   | 48×∅280                    |   | Size(mm)   | 752×200×120                     |   |
| Weight(kg) | 15.06                      |   | Weight(kg) | 5.05                            |   |
| Part No.   | BY610800060217             |  | Part No.   | BY612600040503                  |  |
| 名称         | 出水管                        |   | 名称         | 出水管                             |   |
| Part Name  | Outlet pipe                |   | Part Name  | Outlet pipe                     |   |
| Size(mm)   | 270×180×70                 |   | Size(mm)   | 925×170×50                      |   |
| Weight(kg) | 1.2                        |   | Weight(kg) | 3.6                             |   |
| Part No.   | BY612640060116             |  | Part No.   | BY612600061872                  |  |
| 名称         | 自动张紧轮                      |   | 名称         | 水泵                              |   |
| Part Name  | Automatic tensioning wheel |   | Part Name  | Water pump                      |   |
| Size(mm)   | 162×85×70                  |   | Size(mm)   | 300×260×280                     |   |
| Weight(kg) | 1.75                       |   | Weight(kg) | 19.15                           |   |
| Part No.   | BY612600062018             |  | Part No.   | BY1000649632                    |  |
| 名称         | 水泵                         |   | 名称         | 水泵                              |   |
| Part Name  | Water pump                 |   | Part Name  | Water pump                      |   |
| Size(mm)   | 180×200×220                |   | Size(mm)   | 220×140×170                     |   |
| Weight(kg) | 13.15                      |   | Weight(kg) | 5.25                            |   |
| Part No.   | BY612600091077             |  | Part No.   | BY612600091078                  |  |
| 名称         | 起动机                        |   | 名称         | 起动机                             |   |
| Part Name  | Starter                    |   | Part Name  | Starter                         |   |
| Size(mm)   | 330×190×130                |   | Size(mm)   | 330×200×125                     |   |
| Weight(kg) | 9.75                       |   | Weight(kg) | 9.9                             |   |

|            |                |
|------------|----------------|
| Part No.   | BY612600091076 |
| 名称         | 起动机            |
| Part Name  | Starter        |
| Size(mm)   | 330×200×125    |
| Weight(kg) | 9.9            |



|            |             |
|------------|-------------|
| Part No.   | BY13033591  |
| 名称         | 起动机         |
| Part Name  | Starter     |
| Size(mm)   | 310×200×135 |
| Weight(kg) | 10.65       |



|            |                |
|------------|----------------|
| Part No.   | BY612600130652 |
| 名称         | 空压机            |
| Part Name  | Air compressor |
| Size(mm)   | 330×200×150    |
| Weight(kg) | 12.6           |



|            |                |
|------------|----------------|
| Part No.   | BY612640060119 |
| 名称         | 空调压缩机          |
| Part Name  | A/C compressor |
| Size(mm)   | 220×140×140    |
| Weight(kg) | 6.6            |



|            |                |
|------------|----------------|
| Part No.   | BY612600130390 |
| 名称         | 空压机            |
| Part Name  | Air compressor |
| Size(mm)   | 350×210×150    |
| Weight(kg) | 13.35          |



|            |                |
|------------|----------------|
| Part No.   | BY612600130777 |
| 名称         | 空压机            |
| Part Name  | Air compressor |
| Size(mm)   | 360×220×150    |
| Weight(kg) | 14.1           |



|            |                |
|------------|----------------|
| Part No.   | BY612600130925 |
| 名称         | 空压机            |
| Part Name  | Air compressor |
| Size(mm)   | 350×200×150    |
| Weight(kg) | 13.9           |



|            |                |
|------------|----------------|
| Part No.   | BY612630030405 |
| 名称         | 空压机            |
| Part Name  | Air compressor |
| Size(mm)   | 300×320×130    |
| Weight(kg) | 19.25          |



|            |               |
|------------|---------------|
| Part No.   | BY61201111031 |
| 名称         | 增压器           |
| Part Name  | Turbocharger  |
| Size(mm)   | 250×240×310   |
| Weight(kg) | 20.25         |



|            |                |
|------------|----------------|
| Part No.   | BY612601110925 |
| 名称         | 增压器            |
| Part Name  | Turbocharger   |
| Size(mm)   | 270×320×230    |
| Weight(kg) | 19.1           |



|            |                |
|------------|----------------|
| Part No.   | BY612600060215 |
| 名称         | 风扇             |
| Part Name  | Fan            |
| Size(mm)   | 620×620×50     |
| Weight(kg) | 2.6            |



|            |                |
|------------|----------------|
| Part No.   | BY612600061588 |
| 名称         | 护风带            |
| Part Name  | Wind belt      |
| Size(mm)   | ∅700×2         |
| Weight(kg) | 0.25           |



|            |                |
|------------|----------------|
| Part No.   | BY612600062294 |
| 名称         | 护风罩            |
| Part Name  | Fan cover      |
| Size(mm)   | ∅665×140       |
| Weight(kg) | 2.5            |



|            |                |
|------------|----------------|
| Part No.   | BY612630061183 |
| 名称         | 风扇离合器          |
| Part Name  | Fan clutch     |
| Size(mm)   | 230×380×150    |
| Weight(kg) | 10.85          |



|            |                        |
|------------|------------------------|
| Part No.   | BY612600050179         |
| 名称         | 气门摇臂                   |
| Part Name  | EVB exhaust rocker arm |
| Size(mm)   | 90×65×24               |
| Weight(kg) | 0.3                    |



|            |                       |
|------------|-----------------------|
| Part No.   | BY612600040495        |
| 名称         | 气门座                   |
| Part Name  | Air intake valve seat |
| Size(mm)   | ∅55×10                |
| Weight(kg) | 0.05                  |



|            |            |
|------------|------------|
| Part No.   | BY13031471 |
| 名称         | 凸轮轴        |
| Part Name  | Camshaft   |
| Size(mm)   | 830×50×50  |
| Weight(kg) | 7.25       |



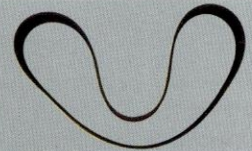
|            |                        |
|------------|------------------------|
| Part No.   | BY1001477999           |
| 名称         | 离合器分离轴承                |
| Part Name  | Clutch release bearing |
| Size(mm)   | ∅135×120               |
| Weight(kg) | 3.25                   |



|            |                                     |
|------------|-------------------------------------|
| Part No.   | BY612640060240                      |
| 名称         | 空调压缩机支架                             |
| Part Name  | Air conditioning compressor bracket |
| Size(mm)   | 245×250×115                         |
| Weight(kg) | 6.5                                 |



|            |                |
|------------|----------------|
| Part No.   | BY610800060085 |
| 名称         | 多楔带(10PK)      |
| Part Name  | Poly V-belt    |
| Size(mm)   | 800×100×35     |
| Weight(kg) | 0.1            |



|            |                |
|------------|----------------|
| Part No.   | BY612640060069 |
| 名称         | 多楔带            |
| Part Name  | Poly V-belt    |
| Size(mm)   | 470×100×35     |
| Weight(kg) | 0.03           |



|            |                   |
|------------|-------------------|
| Part No.   | BY1000278659      |
| 名称         | 曲轴皮带轮             |
| Part Name  | Crankshaft pulley |
| Size(mm)   | ∅225×120          |
| Weight(kg) | 9.63              |



|            |                                |   |            |                           |   |
|------------|--------------------------------|---|------------|---------------------------|---|
| Part No.   | BY611600170006                 |    | Part No.   | BY612630110007            |    |
| 名称         | 齿轮                             |   | 名称         | 增压器后排气管                   |   |
| Part Name  | Intermediate gear              |   | Part Name  | Supercharger exhaust pipe |   |
| Size(mm)   | ø145×36                        |   | Size(mm)   | 205×320×175               |   |
| Weight(kg) | 4.1                            |   | Weight(kg) | 6.38                      |   |
| Part No.   | BY612650040005                 |    | Part No.   | BY1000701689              |    |
| 名称         | 气缸盖                            |   | 名称         | 风扇托架                      |   |
| Part Name  | Cylinder head cover            |   | Part Name  | Fan tray                  |   |
| Size(mm)   | 230×155×110                    |   | Size(mm)   | 165×165×250               |   |
| Weight(kg) | 1.29                           |   | Weight(kg) | 13.13                     |   |
| Part No.   | BY610800130194                 |    | Part No.   | BY612630060973            |    |
| 名称         | 液泵                             |   | 名称         | 惰轮                        |   |
| Part Name  | Hydraulic pump                 |   | Part Name  | Idler pulley              |   |
| Size(mm)   | 140×110×120                    |   | Size(mm)   | 60×60×60                  |   |
| Weight(kg) | 2.13                           |   | Weight(kg) | 0.6                       |   |
| Part No.   | BYAZ1500060050                 |    | Part No.   | 4022816X                  |    |
| 名称         | 水泵                             |   | 名称         | 凸轮轴                       |   |
| Part Name  | Water pump                     |   | Part Name  | Camshaft                  |   |
| Size(mm)   | 220×220×245                    |   | Size(mm)   | 980×ø80                   |   |
| Weight(kg) | 17.95                          |   | Weight(kg) | 21.3                      |   |
| Part No.   | 3080760X                       |   | Part No.   | 4974568X                  |   |
| 名称         | 缸套                             |   | 名称         | 回油管接头                     |   |
| Part Name  | Cylinder liner                 |   | Part Name  | Fuel return fitting       |   |
| Size(mm)   | 245×ø145                       |   | Size(mm)   | 70×65×35                  |   |
| Weight(kg) | 5.4                            |   | Weight(kg) | 0.4                       |   |
| Part No.   | 3016780X                       |  | Part No.   | 3419798X                  |  |
| 名称         | 主轴瓦                            |   | 名称         | 主轴瓦                       |   |
| Part Name  | Main bearing bush              |   | Part Name  | Main bearing bush         |   |
| Size(mm)   | 130×60×40                      |   | Size(mm)   | 125×65×33                 |   |
| Weight(kg) | 0.2                            |   | Weight(kg) | 0.2                       |   |
| Part No.   | 4003950X                       |  | Part No.   | 3895439X                  |  |
| 名称         | 机油泵                            |   | 名称         | 安装垫块                      |   |
| Part Name  | Oil pump                       |   | Part Name  | Mounting cushion block    |   |
| Size(mm)   | 140×120×93                     |   | Size(mm)   | 30×ø16                    |   |
| Weight(kg) | 3.7                            |   | Weight(kg) | 0.05                      |   |
| Part No.   | 3895440X                       |  | Part No.   | 3895438X                  |  |
| 名称         | 六角法兰螺栓                         |   | 名称         | 六角法兰螺栓                    |   |
| Part Name  | Hexagonal flange bolt          |   | Part Name  | Hexagonal flange bolt     |   |
| Size(mm)   | 35×ø16                         |   | Size(mm)   | 76×ø16                    |   |
| Weight(kg) | 0.01                           |   | Weight(kg) | 0.05                      |   |
| Part No.   | 3895718X                       |  | Part No.   | 3010146X                  |  |
| 名称         | 挡塞                             |   | 名称         | 压缩弹簧                      |   |
| Part Name  | Plug                           |   | Part Name  | Compression spring        |   |
| Size(mm)   | 35×40×54                       |   | Size(mm)   | 85×ø18                    |   |
| Weight(kg) | 0.25                           |   | Weight(kg) | 0.01                      |   |
| Part No.   | 3068979X                       |  | Part No.   | 3080708X                  |  |
| 名称         | 压力控制阀柱塞                        |   | 名称         | 冷却喷嘴                      |   |
| Part Name  | Pressure control valve plunger |   | Part Name  | Piston cooling nozzle     |   |
| Size(mm)   | 92×ø21                         |   | Size(mm)   | 90×65×50                  |   |
| Weight(kg) | 0.05                           |   | Weight(kg) | 0.01                      |   |
| Part No.   | 3055069X                       |  | Part No.   | 4318308X                  |  |
| 名称         | 螺堵                             |   | 名称         | 油底壳密封衬垫                   |   |
| Part Name  | Screw block                    |   | Part Name  | Oil pan sealing liner     |   |
| Size(mm)   | 32×37×30                       |   | Size(mm)   | 100×35×2                  |   |
| Weight(kg) | 0.1                            |   | Weight(kg) | 0.1                       |   |

|            |                              |            |                       |
|------------|------------------------------|------------|-----------------------|
| Part No.   | 4083569X                     | Part No.   | 4022533X              |
| 名称         | 连杆                           | 名称         | 活塞                    |
| Part Name  | Connecting rod               | Part Name  | Piston                |
| Size(mm)   | 320×130×55                   | Size(mm)   | ø120×110              |
| Weight(kg) | 4.0                          | Weight(kg) | 3.0                   |
| Part No.   | X9 Series4973540X            | Part No.   | 4311005X              |
| 名称         | 齿轮室                          | 名称         | 滤清器                   |
| Part Name  | Gear chamber                 | Part Name  | Filter                |
| Size(mm)   | 640×640×80                   | Size(mm)   | ø120×310              |
| Weight(kg) | 13.2                         | Weight(kg) | 1.8                   |
| Part No.   | 3166309X                     | Part No.   | 3070175X              |
| 名称         | 电子控制模块冷却器                    | 名称         | 气门压桥                  |
| Part Name  | ECM cooler                   | Part Name  | Valve press connector |
| Size(mm)   | 400×215×20                   | Size(mm)   | 75×20×20              |
| Weight(kg) | 2                            | Weight(kg) | 0.25                  |
| Part No.   | 4003911X                     | Part No.   | 3161942X              |
| 名称         | 气门摇臂                         | 名称         | 减震器                   |
| Part Name  | Rocker arm                   | Part Name  | Shock absorber        |
| Size(mm)   | 200×75×30                    | Size(mm)   | ø280×45               |
| Weight(kg) | 0.95                         | Weight(kg) | 14.2                  |
| Part No.   | 4356679X                     | Part No.   | 4319812X              |
| 名称         | 防腐蚀器                         | 名称         | 进气加热                  |
| Part Name  | Anti-corrosion device holder | Part Name  | Intake heating        |
| Size(mm)   | 140×120×105                  | Size(mm)   | 150×112×38            |
| Weight(kg) | 0.8                          | Weight(kg) | 0.85                  |
| Part No.   | 4001727X                     | Part No.   | 4319565X              |
| 名称         | 压力控制阀                        | 名称         | 线束                    |
| Part Name  | Pressure control valve       | Part Name  | Wire harness          |
| Size(mm)   | 170×100×50                   | Size(mm)   | 390×520×100           |
| Weight(kg) | 0.95                         | Weight(kg) | 1.9                   |
| Part No.   | 3073676X                     | Part No.   | 4319409X              |
| 名称         | 曲轴皮带轮                        | 名称         | 发电机                   |
| Part Name  | Crankshaft belt pulley       | Part Name  | Generator             |
| Size(mm)   | ø198×80                      | Size(mm)   | 200×230×140           |
| Weight(kg) | 1.35                         | Weight(kg) | 7.4                   |
| Part No.   | 4320026X                     | Part No.   | 3406757X              |
| 名称         | 进气歧管                         | 名称         | 进气歧管                  |
| Part Name  | Air intaking manifold        | Part Name  | Air intaking manifold |
| Size(mm)   | 940×135×170                  | Size(mm)   | 930×133×55            |
| Weight(kg) | 5.1                          | Weight(kg) | 4.7                   |
| Part No.   | BV1000424654                 | Part No.   | BV611600060088        |
| 名称         | 机油滤清器                        | 名称         | 节温器                   |
| Part Name  | Oil filter                   | Part Name  | Thermostat            |
| Size(mm)   | 320×190×90                   | Size(mm)   | 310×240×150           |
| Weight(kg) | 2.98                         | Weight(kg) | 2.94                  |
| Part No.   | BV612600061256               | Part No.   | BV612600070465        |
| 名称         | 皮带张紧轮                        | 名称         | 机油泵                   |
| Part Name  | Belt tension pulley          | Part Name  | Oil pump              |
| Size(mm)   | 165×80×70                    | Size(mm)   | 280×240×110           |
| Weight(kg) | 1.58                         | Weight(kg) | 10.56                 |
| Part No.   | BV612600090206D              | Part No.   | BV612630010256        |
| 名称         | 发电机                          | 名称         | 机油泵                   |
| Part Name  | Generator                    | Part Name  | Oil pump              |
| Size(mm)   | 180×170×130                  | Size(mm)   | 275×250×105           |
| Weight(kg) | 6.12                         | Weight(kg) | 13.45                 |

|            |             |
|------------|-------------|
| Part No.   | 4320034X    |
| 名称         | 油管          |
| Part Name  | Oil pipe    |
| Size(mm)   | 650×660×140 |
| Weight(kg) | 0.7         |



|            |            |
|------------|------------|
| Part No.   | 4923644X   |
| 名称         | 油封         |
| Part Name  | Oil seal   |
| Size(mm)   | 250×250×20 |
| Weight(kg) | 0.45       |



|            |                |
|------------|----------------|
| Part No.   | 3417645X       |
| 名称         | 凸轮从动件          |
| Part Name  | Cam driven set |
| Size(mm)   | 80×45×90       |
| Weight(kg) | 0.9            |



|            |             |
|------------|-------------|
| Part No.   | 3417677X    |
| 名称         | 燃油泵         |
| Part Name  | Fuel pump   |
| Size(mm)   | 230×200×170 |
| Weight(kg) | 4.8         |



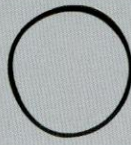
|            |                |
|------------|----------------|
| Part No.   | 4318214X       |
| 名称         | 空压机            |
| Part Name  | Air compressor |
| Size(mm)   | 320×235×150    |
| Weight(kg) | 15.85          |



|            |                      |
|------------|----------------------|
| Part No.   | 4022500X             |
| 名称         | 气缸密封垫                |
| Part Name  | Cylinder sealing pad |
| Size(mm)   | 940×320×3            |
| Weight(kg) | 0.45                 |



|            |                          |
|------------|--------------------------|
| Part No.   | 3820945X                 |
| 名称         | 矩形密封圈                    |
| Part Name  | Rectangular sealing ring |
| Size(mm)   | 80×80×3                  |
| Weight(kg) | 0.005                    |



|            |                         |
|------------|-------------------------|
| Part No.   | By612600050177          |
| 名称         | 气门摇臂                    |
| Part Name  | Air intake valve rocker |
| Size(mm)   | 120×50×25               |
| Weight(kg) | 0.25                    |



|            |             |
|------------|-------------|
| Part No.   | 4972853X    |
| 名称         | 水泵          |
| Part Name  | Water pump  |
| Size(mm)   | 320×250×170 |
| Weight(kg) | 11.75       |



|            |               |
|------------|---------------|
| Part No.   | 3401439X      |
| 名称         | 凸轮轴齿轮         |
| Part Name  | Camshaft gear |
| Size(mm)   | ø260×28       |
| Weight(kg) | 4.35          |



|            |             |
|------------|-------------|
| Part No.   | 4386525X    |
| 名称         | 机油冷却器       |
| Part Name  | Oil cooler  |
| Size(mm)   | 460×130×150 |
| Weight(kg) | 0.85        |



|            |                    |
|------------|--------------------|
| Part No.   | 3102774X           |
| 名称         | 机油滤清器座             |
| Part Name  | Oil filter bracket |
| Size(mm)   | 310×155×120        |
| Weight(kg) | 4.05               |



|            |          |
|------------|----------|
| Part No.   | 4962745X |
| 名称         | 油封       |
| Part Name  | Oil seal |
| Size(mm)   | ø160×18  |
| Weight(kg) | 0.15     |



|            |               |
|------------|---------------|
| Part No.   | 4974164X      |
| 名称         | 挠性软管          |
| Part Name  | Flexible hose |
| Size(mm)   | ø26×840       |
| Weight(kg) | 0.4           |



|            |              |
|------------|--------------|
| Part No.   | 3062602X     |
| 名称         | 惰轮           |
| Part Name  | Idler pulley |
| Size(mm)   | ø100×108     |
| Weight(kg) | 2.4          |



|            |          |
|------------|----------|
| Part No.   | 3065358X |
| 名称         | 风扇轮毂     |
| Part Name  | Fan hub  |
| Size(mm)   | ø120×110 |
| Weight(kg) | 3.95     |



|            |                        |
|------------|------------------------|
| Part No.   | 3252107X               |
| 名称         | 附件驱动皮带轮                |
| Part Name  | Accessory drive pulley |
| Size(mm)   | ø155×50                |
| Weight(kg) | 3.4                    |



|            |                        |
|------------|------------------------|
| Part No.   | 3883324X               |
| 名称         | 附件驱动皮带轮                |
| Part Name  | Accessory drive pulley |
| Size(mm)   | ø155×30                |
| Weight(kg) | 0.9                    |



|            |                  |
|------------|------------------|
| Part No.   | 30460206X        |
| 名称         | 风扇皮带轮            |
| Part Name  | Fan drive pulley |
| Size(mm)   | ø160×55          |
| Weight(kg) | 1.1              |



|            |              |
|------------|--------------|
| Part No.   | 2843414X     |
| 名称         | 涡轮增压器        |
| Part Name  | Supercharger |
| Size(mm)   | 390×345×270  |
| Weight(kg) | 21.4         |



|            |            |
|------------|------------|
| Part No.   | 4973373X   |
| 名称         | 节温器        |
| Part Name  | Thermostat |
| Size(mm)   | ø85×75     |
| Weight(kg) | 0.2        |



|            |                    |
|------------|--------------------|
| Part No.   | 3406886X           |
| 名称         | 节温器壳               |
| Part Name  | Thermostat housing |
| Size(mm)   | 230×140×130        |
| Weight(kg) | 3.9                |

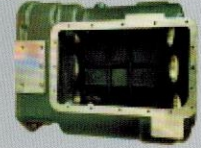


## 3. 变速箱部件 Transmission parts

|            |                       |
|------------|-----------------------|
| Part No.   | BS12JSDX160T-1012-Y-1 |
| 名称         | 变速箱壳体                 |
| Part Name  | Gearbox housing       |
| Size(mm)   | 580×590×345           |
| Weight(kg) | 41.78                 |



|            |                       |
|------------|-----------------------|
| Part No.   | BS12JSD160T-1701015-8 |
| 名称         | 变速箱壳体                 |
| Part Name  | Gearbox housing       |
| Size(mm)   | 580×575×335           |
| Weight(kg) | 89.85                 |



|            |                |
|------------|----------------|
| Part No.   | BS15010-20-YDC |
| 名称         | 离合器壳           |
| Part Name  | Clutch housing |
| Size(mm)   | 560×560×175    |
| Weight(kg) | 11.66          |



|            |                      |
|------------|----------------------|
| Part No.   | BSJS180-1601015-5-YS |
| 名称         | 离合器壳                 |
| Part Name  | Clutch housing       |
| Size(mm)   | 720×555×180          |
| Weight(kg) | 14.11                |



|            |              |
|------------|--------------|
| Part No.   | BS18869      |
| 名称         | 驱动齿轮W        |
| Part Name  | Drive gear W |
| Size(mm)   | ø150×90      |
| Weight(kg) | 3.72         |



|            |                     |
|------------|---------------------|
| Part No.   | BS12JSD200T-1707030 |
| 名称         | 驱动齿轮G               |
| Part Name  | Driving gear G      |
| Size(mm)   | ø150×65             |
| Weight(kg) | 3.94                |



|            |                  |
|------------|------------------|
| Part No.   | BS19726          |
| 名称         | 减速齿轮G            |
| Part Name  | Reduction gear G |
| Size(mm)   | ø225×40          |
| Weight(kg) | 4.92             |



|            |              |
|------------|--------------|
| Part No.   | BS18729      |
| 名称         | 二轴           |
| Part Name  | Second shaft |
| Size(mm)   | ø55×335      |
| Weight(kg) | 5.72         |



|            |                      |
|------------|----------------------|
| Part No.   | BS12JSDX240T-1707106 |
| 名称         | 减速齿轮                 |
| Part Name  | Reduction gear       |
| Size(mm)   | ø250×55              |
| Weight(kg) | 9.71                 |



|            |                    |
|------------|--------------------|
| Part No.   | BS12JS200T-1701105 |
| 名称         | 二轴G                |
| Part Name  | Second shaft G     |
| Size(mm)   | ø55×470            |
| Weight(kg) | 7.66               |



|            |               |
|------------|---------------|
| Part No.   | BSQH50-G17994 |
| 名称         | 取力器           |
| Part Name  | PTO           |
| Size(mm)   | 260×240×200   |
| Weight(kg) | 22.8          |



|            |              |
|------------|--------------|
| Part No.   | BSQH70-G6898 |
| 名称         | 取力器          |
| Part Name  | PTO          |
| Size(mm)   | 270×260×210  |
| Weight(kg) | 31.64        |



|            |                   |
|------------|-------------------|
| Part No.   | BS102309E/NCL309E |
| 名称         | 轴承                |
| Part Name  | Bearing           |
| Size(mm)   | ø100×25           |
| Weight(kg) | 0.89              |



|            |                    |
|------------|--------------------|
| Part No.   | BS192309E/NUP309EN |
| 名称         | 轴承                 |
| Part Name  | Bearing            |
| Size(mm)   | ø100×25            |
| Weight(kg) | 0.97               |



|            |                    |
|------------|--------------------|
| Part No.   | BS192311E/NUP311EN |
| 名称         | 轴承                 |
| Part Name  | Bearing            |
| Size(mm)   | ø120×30            |
| Weight(kg) | 1.59               |



|            |                 |
|------------|-----------------|
| Part No.   | BS42308E/NJ308E |
| 名称         | 轴承              |
| Part Name  | Bearing         |
| Size(mm)   | ø90×23          |
| Weight(kg) | 0.72            |



|            |               |
|------------|---------------|
| Part No.   | BS50118/6018N |
| 名称         | 轴承            |
| Part Name  | Bearing       |
| Size(mm)   | ø140×25       |
| Weight(kg) | 1.07          |



|            |  |
|------------|--|
| Part No.   | BS16JS200T-1701052                     |
| 名称         | 中间轴分速齿G                                |
| Part Name  | Intermediate shaft differential gear G |
| Size(mm)   | ø185×30                                |
| Weight(kg) | 3.96                                   |



|            |                    |
|------------|--------------------|
| Part No.   | BS16JS200T-1701050 |
| 名称         | 中三齿G               |
| Part Name  | Middle 3rd gear    |
| Size(mm)   | ø145×45            |
| Weight(kg) | 3.15               |



|            |                                |
|------------|--------------------------------|
| Part No.   | BS16JS200TA-1701052            |
| 名称         | 中间轴分速齿                         |
| Part Name  | Middle shaft differential gear |
| Size(mm)   | ø160×40                        |
| Weight(kg) | 3.07                           |



|            |                    |
|------------|--------------------|
| Part No.   | BS16JS200T-1701105 |
| 名称         | 二轴G                |
| Part Name  | Second shaft       |
| Size(mm)   | ø60×350            |
| Weight(kg) | 6.7                |



|            |                               |
|------------|-------------------------------|
| Part No.   | BS16JS200TA-1701032           |
| 名称         | 一轴分速齿轮                        |
| Part Name  | First shaft differential gear |
| Size(mm)   | ø150×37                       |
| Weight(kg) | 3.17                          |



|            |          |
|------------|----------|
| Part No.   | BSC01032 |
| 名称         | 油封       |
| Part Name  | Oil seal |
| Size(mm)   | ø115×7   |
| Weight(kg) | 0.06     |



|            |           |
|------------|-----------|
| Part No.   | BS19109-2 |
| 名称         | 油封        |
| Part Name  | Oil seal  |
| Size(mm)   | ø114.3×18 |
| Weight(kg) | 0.17      |



|            |            |
|------------|------------|
| Part No.   | BS19109-1  |
| 名称         | 油封         |
| Part Name  | Oil seal   |
| Size(mm)   | ø114.25×12 |
| Weight(kg) | 0.08       |



|            |          |
|------------|----------|
| Part No.   | BSF91410 |
| 名称         | 油封       |
| Part Name  | Oil seal |
| Size(mm)   | ø65×5    |
| Weight(kg) | 0.01     |



|            |                 |
|------------|-----------------|
| Part No.   | BSF500A-1802191 |
| 名称         | 油封              |
| Part Name  | Oil seal        |
| Size(mm)   | ø72×10          |
| Weight(kg) | 0.03            |



|            |                             |
|------------|-----------------------------|
| Part No.   | BSRTD-11609A-1707155-5      |
| 名称         | 主轴后轴承盖                      |
| Part Name  | Main shaft rear bearing cap |
| Size(mm)   | 170×170×55                  |
| Weight(kg) | 2.87                        |



|            |                            |
|------------|----------------------------|
| Part No.   | BSF99967                   |
| 名称         | 主轴后轴承盖                     |
| Part Name  | Mainshaft rear bearing cap |
| Size(mm)   | ø170×55                    |
| Weight(kg) | 2.58                       |



|            |                             |
|------------|-----------------------------|
| Part No.   | BSJS180-1707155-3           |
| 名称         | 主轴后轴承盖                      |
| Part Name  | Main shaft rear bearing cap |
| Size(mm)   | 165×165×55                  |
| Weight(kg) | 3.07                        |



|            |                            |
|------------|----------------------------|
| Part No.   | BSDS100-1701085            |
| 名称         | 无外圈长圆柱滚子轴承                 |
| Part Name  | Cylindrical roller bearing |
| Size(mm)   | ø55×38                     |
| Weight(kg) | 0.24                       |



|            |                    |
|------------|--------------------|
| Part No.   | BS16JS200T-1701031 |
| 名称         | 一轴齿轮               |
| Part Name  | 1st shaft gear     |
| Size(mm)   | ø140×40            |
| Weight(kg) | 2.57               |



|            |                        |
|------------|------------------------|
| Part No.   | BS16JS200T-1701112     |
| 名称         | 主轴二档齿轮                 |
| Part Name  | Main shaft second gear |
| Size(mm)   | ø194×30                |
| Weight(kg) | 3.72                   |



|            |                     |
|------------|---------------------|
| Part No.   | BS16JS200T-1701111  |
| 名称         | 主轴一档齿轮              |
| Part Name  | Main shaft 1st gear |
| Size(mm)   | ø216×33             |
| Weight(kg) | 4.92                |



|            |                     |
|------------|---------------------|
| Part No.   | BS16JS200T-1701113  |
| 名称         | 主轴三档齿轮              |
| Part Name  | Main shaft 3rd gear |
| Size(mm)   | ø165×31             |
| Weight(kg) | 2.75                |



|            |                   |
|------------|-------------------|
| Part No.   | BS9JS200T-1701170 |
| 名称         | 1/2档同步器W          |
| Part Name  | Synchronizer      |
| Size(mm)   | ø191×71           |
| Weight(kg) | 5.83              |



|            |                    |
|------------|--------------------|
| Part No.   | BS16JS200T-1701175 |
| 名称         | 3/4档同步器G           |
| Part Name  | Synchronizer       |
| Size(mm)   | ø170×75            |
| Weight(kg) | 4.85               |



|            |                                    |
|------------|------------------------------------|
| Part No.   | BS16JS200T-1701040-3               |
| 名称         | 前副箱同步器G                            |
| Part Name  | Front auxiliary box synchronizer G |
| Size(mm)   | ø173×75                            |
| Weight(kg) | 5.42                               |



|            |                    |
|------------|--------------------|
| Part No.   | BS16JS200T-1707047 |
| 名称         | 焊接轴G               |
| Part Name  | Welding shaft G    |
| Size(mm)   | ø175×290           |
| Weight(kg) | 9.68               |



|            |                |
|------------|----------------|
| Part No.   | BSRTD1707067-1 |
| 名称         | 拨叉             |
| Part Name  | Fork           |
| Size(mm)   | 222×185×60     |
| Weight(kg) | 1.3            |



|            |              |
|------------|--------------|
| Part No.   | BSRTD1707067 |
| 名称         | 拨叉           |
| Part Name  | Fork         |
| Size(mm)   | 222×185×56   |
| Weight(kg) | 1.54         |



|            |                |
|------------|----------------|
| Part No.   | BSC01054       |
| 名称         | 气路管接头          |
| Part Name  | Gas pipe joint |
| Size(mm)   | 31×35×12       |
| Weight(kg) | 0.05           |



|            |                       |   |            |   |   |
|------------|-----------------------|---|------------|---|---|
| Part No.   | BS55522               |    | Part No.   | BS55534   |    |
| 名称         | 气管                    |   | 名称         | 气管  |   |
| Part Name  | Air pipe              |   | Part Name  | Air pipe  |   |
| Size(mm)   | ø15×725               |   | Size(mm)   | ø15×755   |   |
| Weight(kg) | 0.22                  |   | Weight(kg) | 0.23  |   |
| Part No.   | BS666168              |    | Part No.   | BSF99679-25                                     |    |
| 名称         | 气管                    |   | 名称         | 双H换挡轴 10档单轴                                     |   |
| Part Name  | Air pipe              |   | Part Name  | Double H shifting shaft 10th speed single shaft |   |
| Size(mm)   | 355×130×20            |   | Size(mm)   | ø30×360   |   |
| Weight(kg) | 0.18                  |   | Weight(kg) | 1.69  |   |
| Part No.   | BSF96035-85           |    | Part No.   | BSF12JSDX240T1701121                            |    |
| 名称         | LRC外换挡臂               |   | 名称         | 六角键   |   |
| Part Name  | Shifting arm          |   | Part Name  | Hex key   |   |
| Size(mm)   | 35×135×20             |   | Size(mm)   | 3×5×335   |   |
| Weight(kg) | 0.37                  |   | Weight(kg) | 0.07  |   |
| Part No.   | BSJS180-1601024-21    |    | Part No.   | BS16JSX300A-1707170                             |    |
| 名称         | T型板                   |   | 名称         | 凸缘螺母  |   |
| Part Name  | T-plate               |   | Part Name  | Flange nut                                      |   |
| Size(mm)   | 140×65×86             |   | Size(mm)   | ø94×26  |   |
| Weight(kg) | 1.03                  |   | Weight(kg) | 0.5   |   |
| Part No.   | BS12JS160T-1701122    |  | Part No.   | BS12JS160T-1701123                              |  |
| 名称         | 二轴花键垫                 |   | 名称         | 齿轮隔垫  |   |
| Part Name  | Axle II spline pad    |   | Part Name  | Shock insulator for gear                        |   |
| Size(mm)   | ø71×7                 |   | Size(mm)   | ø76×6   |   |
| Weight(kg) | 0.06                  |   | Weight(kg) | 0.1   |   |
| Part No.   | BSJS180-1701040-4     |  | Part No.   | BS12JSDX240T-1701125                            |  |
| 名称         | 一轴盖                   |   | 名称         | 倒挡齿轮垫片  |   |
| Part Name  | 1st shaft cover       |   | Part Name  | Reverse gear washer                             |   |
| Size(mm)   | ø167×165              |   | Size(mm)   | 104×90×5  |   |
| Weight(kg) | 2.94                  |   | Weight(kg) | 0.21  |   |
| Part No.   | BSJS180-1701040-5     |  | Part No.   | BS10JS90A-1707030                               |  |
| 名称         | 一轴轴承盖                 |   | 名称         | 驱动齿轮  |   |
| Part Name  | 1st shaft bearing cap |   | Part Name  | Driving gear                                    |   |
| Size(mm)   | ø168×166              |   | Size(mm)   | ø106×85   |   |
| Weight(kg) | 2.95                  |   | Weight(kg) | 1.75  |   |
| Part No.   | BS12JSDX240T-1701157  |  | Part No.   | BS12JSD160T-1701124                             |  |
| 名称         | 里程表转子                 |   | 名称         | 轴承垫   |   |
| Part Name  | Odometer rotor        |   | Part Name  | Bearing pad                                     |   |
| Size(mm)   | ø95×25                |   | Size(mm)   | ø1100×40  |   |
| Weight(kg) | 0.26                  |   | Weight(kg) | 1.04  |   |
| Part No.   | BS12JSD200T-1708021-1 |  | Part No.   | BS12JS160T-1701057                              |  |
| 名称         | 油泵驱动齿轮                |   | 名称         | 隔套  |   |
| Part Name  | Oil pump driving gear |   | Part Name  | Spacer  |   |
| Size(mm)   | ø72×7                 |   | Size(mm)   | ø85×47  |   |
| Weight(kg) | 0.1                   |   | Weight(kg) | 0.95  |   |
| Part No.   | BSF99660              |  | Part No.   | BS0068-1  |  |
| 名称         | 双H阀                   |   | 名称         | 倒挡开关  |   |
| Part Name  | Double H air valve    |   | Part Name  | Reverse switch                                  |   |
| Size(mm)   | 120×50×38             |   | Size(mm)   | 35×35×63  |   |
| Weight(kg) | 0.27                  |   | Weight(kg) | 0.08  |   |
| Part No.   | BS0041-3              |  | Part No.   | BSC3054-21                                      |  |
| 名称         | 压力开关                  |   | 名称         | 里程表传感器  |   |
| Part Name  | Pressure switch       |   | Part Name  | Odometer sensor                                 |   |
| Size(mm)   | 35×35×63              |   | Size(mm)   | 35×35×120                                       |   |
| Weight(kg) | 0.07                  |   | Weight(kg) | 0.13  |   |

|            |  |   |            |                             |   |
|------------|--|---|------------|-----------------------------|---|
| Part No.   | BSC01051                                       |    | Part No.   | BSA-C09016-14               |    |
| 名称         | 直通接头   |   | 名称         | 副箱气缸                        |   |
| Part Name  | Straight joint                                 |   | Part Name  | Auxiliary case air cylinder |   |
| Size(mm)   | 12×12×35                                       |   | Size(mm)   | 250×135×120                 |   |
| Weight(kg) | 0.04   |   | Weight(kg) | 7.6                         |   |
| Part No.   | BSJS220-1707060-16                             |    | Part No.   | BSA-C09016-1                |    |
| 名称         | 换挡汽缸   |   | 名称         | 副箱气缸                        |   |
| Part Name  | Shift cylinder                                 |   | Part Name  | Auxiliary case air cylinder |   |
| Size(mm)   | 320×122×120                                    |   | Size(mm)   | 265×125×120                 |   |
| Weight(kg) | 10.12  |   | Weight(kg) | 5.42                        |   |
| Part No.   | BSRTD-11669A-1707108                           |    | Part No.   | BSRTD-11669A-1707107        |    |
| 名称         | 垫片   |   | 名称         | 垫片                          |   |
| Part Name  | Gasket   |   | Part Name  | Gasket                      |   |
| Size(mm)   | ∅110×10  |   | Size(mm)   | ∅102×6                      |   |
| Weight(kg) | 0.3  |   | Weight(kg) | 0.14                        |   |
| Part No.   | BS12JS200T-1701115                             |    | Part No.   | BS12JS200T-1701114          |    |
| 名称         | 二轴五档齿G   |   | 名称         | 二轴四档齿G                      |   |
| Part Name  | 2nd shaft 5th gear G                           |   | Part Name  | 2nd shaft 4th gear G        |   |
| Size(mm)   | ∅148×31  |   | Size(mm)   | ∅165×30                     |   |
| Weight(kg) | 2.35   |   | Weight(kg) | 2.65                        |   |
| Part No.   | BS12JS200T-1701113                             |   | Part No.   | BS12JS200T-1701112          |   |
| 名称         | 二轴三档齿G   |   | 名称         | 二轴三档齿G                      |   |
| Part Name  | 2nd shaft 3rd gear G                           |   | Part Name  | 2nd shaft 3rd gear G        |   |
| Size(mm)   | ∅183×30  |   | Size(mm)   | ∅201×31                     |   |
| Weight(kg) | 3.02   |   | Weight(kg) | 3.53                        |   |
| Part No.   | BS12JS200T-1701111                             |  | Part No.   | BS12JS200T-1701116          |  |
| 名称         | 二轴一档齿G   |   | 名称         | 一轴齿G                        |   |
| Part Name  | 2nd shaft 1st gear                             |   | Part Name  | 1st shaft gear G            |   |
| Size(mm)   | ∅217×35  |   | Size(mm)   | ∅127×35                     |   |
| Weight(kg) | 4.53   |   | Weight(kg) | 1.69                        |   |
| Part No.   | BS12JS200T-1701115-1                           |  | Part No.   | BS12JS200T-1701116-1        |  |
| 名称         | 二轴五档齿G   |   | 名称         | 一轴齿G                        |   |
| Part Name  | 2nd shaft 5th gear G                           |   | Part Name  | 1st shaft gear G            |   |
| Size(mm)   | ∅130×35  |   | Size(mm)   | ∅145×35                     |   |
| Weight(kg) | 1.65   |   | Weight(kg) | 2.59                        |   |
| Part No.   | BS12JS200T-1707047-2                           |  | Part No.   | BS12JSD160T-1707140-2       |  |
| 名称         | 副箱加长中间轴  |   | 名称         | 同步器W                        |   |
| Part Name  | Lengthened intermediate shaft of auxiliary box |   | Part Name  | Synchronizer W              |   |
| Size(mm)   | ∅180×390                                       |   | Size(mm)   | ∅206×80                     |   |
| Weight(kg) | 11.87  |   | Weight(kg) | 5.89                        |   |
| Part No.   | BS16JSS300T-1707109                            |  | Part No.   | BS12JS200T-17010408         |  |
| 名称         | 圆锥滚子轴承   |   | 名称         | 中间轴                         |   |
| Part Name  | Conic roller bearing                           |   | Part Name  | Intermediate shaft          |   |
| Size(mm)   | ∅120×75  |   | Size(mm)   | ∅115×455                    |   |
| Weight(kg) | 2.82   |   | Weight(kg) | 13.66                       |   |
| Part No.   | BS12JS200T-1707105                             |  | Part No.   | BSF99900-5                  |  |
| 名称         | 副箱主轴G  |   | 名称         | 法兰盘                         |   |
| Part Name  | Auxiliary transmission main shaft              |   | Part Name  | Flange plate                |   |
| Size(mm)   | ∅75×305  |   | Size(mm)   | ∅180×112                    |   |
| Weight(kg) | 8.85   |   | Weight(kg) | 5.15                        |   |
| Part No.   | BS220-1707159-4                                |  | Part No.   | BS55512                     |  |
| 名称         | 法兰盘  |   | 名称         | 气管                          |   |
| Part Name  | Flange plate                                   |   | Part Name  | Air pipe                    |   |
| Size(mm)   | ∅180×90  |   | Size(mm)   | ∅20×150                     |   |
| Weight(kg) | 4.26   |   | Weight(kg) | 0.08                        |   |

|            |                        |   |            |                                      |   |
|------------|------------------------|---|------------|--------------------------------------|---|
| Part No.   | BSA-5010-12            |    | Part No.   | BSJS220-1701082                      |    |
| 名称         | 预选阀                    |   | 名称         | 倒挡中间轴                                |   |
| Part Name  | Preselector valve      |   | Part Name  | Reverse gear shaft                   |   |
| Size(mm)   | 133×70×45              |   | Size(mm)   | ø44×135                              |   |
| Weight(kg) | 0.27                   |   | Weight(kg) | 0.74                                 |   |
| Part No.   | BSA-C03002-11          |    | Part No.   | BS12JS160T-1701084                   |    |
| 名称         | 空气滤清器                  |   | 名称         | 杯型倒挡垫圈                               |   |
| Part Name  | Air filter             |   | Part Name  | Ring-shaped reverse washer           |   |
| Size(mm)   | 115×42×83              |   | Size(mm)   | 75×70×10                             |   |
| Weight(kg) | 0.26                   |   | Weight(kg) | 0.12                                 |   |
| Part No.   | BSJS180--1701157-2     |    | Part No.   | BSJ80A-1601022B-74                   |    |
| 名称         | 转子                     |   | 名称         | 拨叉轴                                  |   |
| Part Name  | Rotor                  |   | Part Name  | Fork shaft                           |   |
| Size(mm)   | 95×95×25               |   | Size(mm)   | 743×150×65                           |   |
| Weight(kg) | 0.12                   |   | Weight(kg) | 2.31                                 |   |
| Part No.   | BS12JS160T-1702058-2   |    | Part No.   | BSJS100A-1702073                     |    |
| 名称         | 5/6档拨叉                 |   | 名称         | 支轴承销                                 |   |
| Part Name  | 5/6 shift fork         |   | Part Name  | Bracket bearing pin                  |   |
| Size(mm)   | 185×185×60             |   | Size(mm)   | ø35×55                               |   |
| Weight(kg) | 0.97                   |   | Weight(kg) | 0.1                                  |   |
| Part No.   | BSJS100A-1702072       |  | Part No.   | BS12JS160T-1702064-1                 |  |
| 名称         | 摆动拨头                   |   | 名称         | 支轴承销                                 |   |
| Part Name  | Swing shifting block   |   | Part Name  | Bracket bearing pin                  |   |
| Size(mm)   | 87×40×8                |   | Size(mm)   | ø18×320                              |   |
| Weight(kg) | 0.1                    |   | Weight(kg) | 0.69                                 |   |
| Part No.   | BS12JS200T-KXB         |  | Part No.   | BS14344-65                           |  |
| 名称         | 卡簧修理包                  |   | 名称         | 气缸修理包                                |   |
| Part Name  | Circlip repair kit     |   | Part Name  | Cylinder repair kit                  |   |
| Size(mm)   | 225×160×10             |   | Size(mm)   | 120×103×5                            |   |
| Weight(kg) | 0.43                   |   | Weight(kg) | 0.02                                 |   |
| Part No.   | BSXLB-LHQBC0001        |  | Part No.   | BS17J0116566                         |  |
| 名称         | 拨叉修理包                  |   | 名称         | 导套                                   |   |
| Part Name  | Fork repair kit        |   | Part Name  | Bushing                              |   |
| Size(mm)   | 115×95×20              |   | Size(mm)   | ø42×19                               |   |
| Weight(kg) | 0.21                   |   | Weight(kg) | 0.05                                 |   |
| Part No.   | BSJS180A-1701030-S     |  | Part No.   | BSJS220-1707031                      |  |
| 名称         | 一轴W                    |   | 名称         | 副箱定位盘                                |   |
| Part Name  | First shaft W          |   | Part Name  | Auxiliary gear box positioning plate |   |
| Size(mm)   | ø80×320                |   | Size(mm)   | ø203×7                               |   |
| Weight(kg) | 4.48                   |   | Weight(kg) | 0.92                                 |   |
| Part No.   | BSJSD180-18B090656-136 |  | Part No.   | BSJSD220-1707015                     |  |
| 名称         | 变速箱后盖                  |   | 名称         | 变速箱后盖                                |   |
| Part Name  | Gearbox back cover     |   | Part Name  | Gearbox back cover                   |   |
| Size(mm)   | 520×320×80             |   | Size(mm)   | 530×355×100                          |   |
| Weight(kg) | 6.67                   |   | Weight(kg) | 21                                   |   |
| Part No.   | BSC03054-21            |  | Part No.   | BS12JS160T-1703021                   |  |
| 名称         | 电子传感器                  |   | 名称         | 快插接头                                 |   |
| Part Name  | Electronic sensor      |   | Part Name  | Quick connector                      |   |
| Size(mm)   | 120×30×30              |   | Size(mm)   | 35×25×10                             |   |
| Weight(kg) | 0.145                  |   | Weight(kg) | 0.017                                |   |
| Part No.   | BSC01052               |  | Part No.   | BSF91444                             |  |
| 名称         | 45度接头                  |   | 名称         | 油封                                   |   |
| Part Name  | Connector              |   | Part Name  | Oil seal                             |   |
| Size(mm)   | 40×15×15               |   | Size(mm)   | ø40×10                               |   |
| Weight(kg) | 0.045                  |   | Weight(kg) | 0.014                                |   |

## 4.车桥部件 Axle parts

|            |                       |   |            |                           |   |
|------------|-----------------------|---|------------|---------------------------|---|
| Part No.   | 189000240031          |    | Part No.   | DZ95189363001             |    |
| 名称         | 球铰接头                  |   | 名称         | 膜片弹簧制动气室                  |   |
| Part Name  | Ball joint            |   | Part Name  | Brake Chamber             |   |
| Size(mm)   | 103×63×36             |   | Size(mm)   | 430×ø240                  |   |
| Weight(kg) | 0.2                   |   | Weight(kg) | 9.5                       |   |
| Part No.   | F81.35100.659302      |    | Part No.   | DZ95189363003             |    |
| 名称         | 差速器总成                 |   | 名称         | 膜片弹簧制动气室                  |   |
| Part Name  | Differential Assembly |   | Part Name  | Brake Chamber             |   |
| Size(mm)   | ø190×200              |   | Size(mm)   | 560×ø240                  |   |
| Weight(kg) | 38.5                  |   | Weight(kg) | 10.5                      |   |
| Part No.   | 81.35610.0031         |    | Part No.   | HD469-2502011             |    |
| 名称         | 过桥箱主动齿轮               |   | 名称         | 贯通轴 (输入端)                 |   |
| Part Name  | Driving Gear          |   | Part Name  | Driving Shaft (Input end) |   |
| Size(mm)   | ø160×90               |   | Size(mm)   | 190×ø120                  |   |
| Weight(kg) | 11.4                  |   | Weight(kg) | 10.9                      |   |
| Part No.   | 199014320061          |   | Part No.   | HD469-2502014             |   |
| 名称         | 挡环                    |   | 名称         | 调整螺母                      |   |
| Part Name  | Retaining Ring        |   | Part Name  | Adjusting Nut             |   |
| Size(mm)   | ø110×2                |   | Size(mm)   | ø140×5                    |   |
| Weight(kg) | 0.1                   |   | Weight(kg) | 0.1                       |   |
| Part No.   | 199000410104          |  | Part No.   | 199012340123              |  |
| 名称         | 车轮螺栓                  |   | 名称         | 车轮螺栓(后)                   |   |
| Part Name  | Wheel Bolt            |   | Part Name  | Wheel Bolts (rear)        |   |
| Size(mm)   | ø102×47               |   | Size(mm)   | ø123×35                   |   |
| Weight(kg) | 0.32                  |   | Weight(kg) | 0.4                       |   |
| Part No.   | 199000340068          |  | Part No.   | 199012250031              |  |
| 名称         | 制动摩擦片                 |   | 名称         | 开槽圆螺母                     |   |
| Part Name  | Brake Lining          |   | Part Name  | Slotted Round Nut         |   |
| Size(mm)   | 189×185×9.5           |   | Size(mm)   | 85×85×7                   |   |
| Weight(kg) | 1.1                   |   | Weight(kg) | 0.3                       |   |
| Part No.   | 108000320046          |  | Part No.   | 188000340031              |  |
| 名称         | 调整垫片                  |   | 名称         | 调整垫片                      |   |
| Part Name  | Adjusting Shim        |   | Part Name  | Adjusting Shim            |   |
| Size(mm)   | ø35×1                 |   | Size(mm)   | 96×30×1                   |   |
| Weight(kg) | 0.005                 |   | Weight(kg) | 0.04                      |   |
| Part No.   | 188000410049          |  | Part No.   | 190003330148              |  |
| 名称         | 推力滚柱轴承                |   | 名称         | 钢球                        |   |
| Part Name  | Thrust Roller Bearing |   | Part Name  | Steel Ball                |   |
| Size(mm)   | 83×83×22              |   | Size(mm)   | ø8                        |   |
| Weight(kg) | 0.5                   |   | Weight(kg) | 0.005                     |   |
| Part No.   | 190003963114          |  | Part No.   | 199012340004              |  |
| 名称         | 米制锥螺纹滑脂嘴              |   | 名称         | 行星轮轴                      |   |
| Part Name  | Grease Nozzle         |   | Part Name  | Planetary Axle            |   |
| Size(mm)   | ø83×22                |   | Size(mm)   | 95×ø28                    |   |
| Weight(kg) | 0.001                 |   | Weight(kg) | 0.3                       |   |
| Part No.   | 199012340005          |  | Part No.   | 199014320059              |  |
| 名称         | 太阳轮                   |   | 名称         | 半轴齿轮 (后)                  |   |
| Part Name  | Sun Wheel             |   | Part Name  | Half Shaft Gear (Rear)    |   |
| Size(mm)   | ø102×60               |   | Size(mm)   | ø120×50                   |   |
| Weight(kg) | 2.2                   |   | Weight(kg) | 1.2                       |   |

|            |                               |   |            |                               |   |
|------------|-------------------------------|---|------------|-------------------------------|---|
| Part No.   | DZ9100410341                  |    | Part No.   | DZ90149326013                 |    |
| 名称         | 油封座圈                          |   | 名称         | 轴承                            |   |
| Part Name  | Oil Seal Seat Ring            |   | Part Name  | Bearing                       |   |
| Size(mm)   | ø130×25                       |   | Size(mm)   | ø100×21                       |   |
| Weight(kg) | 0.394                         |   | Weight(kg) | 0.744                         |   |
| Part No.   | DZ9003326021                  |    | Part No.   | 199014320141                  |    |
| 名称         | 圆锥滚子轴承                        |   | 名称         | 轴承座                           |   |
| Part Name  | Tapered Roller Bearing        |   | Part Name  | Bearing Block                 |   |
| Size(mm)   | ø140×35                       |   | Size(mm)   | ø165×50                       |   |
| Weight(kg) | 2.4                           |   | Weight(kg) | 1.5                           |   |
| Part No.   | 81.35125.0007                 |    | Part No.   | 81.50221.0540                 |    |
| 名称         | 调整螺母                          |   | 名称         | 下制动摩擦片 (车销)                   |   |
| Part Name  | Adjusting Nut                 |   | Part Name  | Lower Brake Lining            |   |
| Size(mm)   | ø160×24                       |   | Size(mm)   | 180×160×20                    |   |
| Weight(kg) | 0.302                         |   | Weight(kg) | 0.8                           |   |
| Part No.   | 81.50221.0535                 |    | Part No.   | DZ9114320653                  |    |
| 名称         | 制动摩擦片 (车销)                    |   | 名称         | 凸缘                            |   |
| Part Name  | Brake Lining                  |   | Part Name  | Flange                        |   |
| Size(mm)   | 220×160×20                    |   | Size(mm)   | ø180×65                       |   |
| Weight(kg) | 0.95                          |   | Weight(kg) | 3.7                           |   |
| Part No.   | DZ90149346075                 |   | Part No.   | 81.35631.0006                 |   |
| 名称         | 车轮螺母                          |   | 名称         | 差速锁缸                          |   |
| Part Name  | Wheel Nut                     |   | Part Name  | Differential Lock Cylinder    |   |
| Size(mm)   | ø41×28                        |   | Size(mm)   | 90×76×66                      |   |
| Weight(kg) | 0.01                          |   | Weight(kg) | 0.3                           |   |
| Part No.   | 81.35100.6593                 |  | Part No.   | DZ9112340143                  |  |
| 名称         | 轴间差速器壳总成                      |   | 名称         | 制动底板                          |   |
| Part Name  | Differential Housing Assembly |   | Part Name  | Braking Plate                 |   |
| Size(mm)   | ø195×100                      |   | Size(mm)   | 390×185×125                   |   |
| Weight(kg) | 6.75                          |   | Weight(kg) | 9.65                          |   |
| Part No.   | HD90009440003                 |  | Part No.   | HD90009440004                 |  |
| 名称         | 手动间隙调整臂(左)                    |   | 名称         | 手动间隙调整臂(右)                    |   |
| Part Name  | Manual Adjust Arm(Left)       |   | Part Name  | Manual Adjust Arm(Right)      |   |
| Size(mm)   | 135×110×100                   |   | Size(mm)   | 135×110×100                   |   |
| Weight(kg) | 2.9                           |   | Weight(kg) | 2.9                           |   |
| Part No.   | DZ9112340013                  |  | Part No.   | DZ9114520308                  |  |
| 名称         | 轴头外防尘套                        |   | 名称         | 右支架                           |   |
| Part Name  | Dust Cover                    |   | Part Name  | Right Bracket                 |   |
| Size(mm)   | 450×235×50                    |   | Size(mm)   | 232×201×126                   |   |
| Weight(kg) | 0.9                           |   | Weight(kg) | 9.65                          |   |
| Part No.   | DZ9114520307                  |  | Part No.   | DZ91129340107                 |  |
| 名称         | 左支架                           |   | 名称         | 齿圈支架                          |   |
| Part Name  | Left Bracket                  |   | Part Name  | Gear Ring Bracket             |   |
| Size(mm)   | 232×201×126                   |   | Size(mm)   | ø235×132                      |   |
| Weight(kg) | 9.65                          |   | Weight(kg) | 5.75                          |   |
| Part No.   | DZ91129320073                 |  | Part No.   | 199018410004                  |  |
| 名称         | 主动圆柱齿轮                        |   | 名称         | 转向梯形臂 (左)                     |   |
| Part Name  | Cylindrical Driving Gear      |   | Part Name  | Steering Trapezoid Arm (Left) |   |
| Size(mm)   | ø250×40                       |   | Size(mm)   | 400×60×80                     |   |
| Weight(kg) | 6                             |   | Weight(kg) | 3                             |   |
| Part No.   | 31313                         |  | Part No.   | DZ9112340221                  |  |
| 名称         | 圆锥滚子轴承                        |   | 名称         | 左半轴                           |   |
| Part Name  | Bearing                       |   | Part Name  | Left Half Shaft               |   |
| Size(mm)   | ø140×40                       |   | Size(mm)   | ø60×1125                      |   |
| Weight(kg) | 2.3                           |   | Weight(kg) | 10                            |   |

|            |                                |   |            |                                |   |
|------------|--------------------------------|---|------------|--------------------------------|---|
| Part No.   | 199018410005                   |    | Part No.   | 199018430006                   |    |
| 名称         | 转向梯形臂(右)                       |   | 名称         | 转向横拉杆                          |   |
| Part Name  | Steering Trapezoid Arm (Right) |   | Part Name  | Steering Tie-Rod               |   |
| Size(mm)   | 400×60×80                      |   | Size(mm)   | 1790×120×65                    |   |
| Weight(kg) | 3                              |   | Weight(kg) | 14                             |   |
| Part No.   | 199112340009                   |    | Part No.   | 199112340029                   |    |
| 名称         | 后轮毂                            |   | 名称         | 行星架(壳带架子)                      |   |
| Part Name  | Rear Hub                       |   | Part Name  | Planetary Shelf                |   |
| Size(mm)   | ø370×165                       |   | Size(mm)   | ø370×250                       |   |
| Weight(kg) | 27.9                           |   | Weight(kg) | 27                             |   |
| Part No.   | 199112410057                   |    | Part No.   | 199112440001                   |    |
| 名称         | 转向节                            |   | 名称         | 制动鼓                            |   |
| Part Name  | Knuckle                        |   | Part Name  | Brake Drum                     |   |
| Size(mm)   | 310×240×330                    |   | Size(mm)   | ø480×270                       |   |
| Weight(kg) | 24.45                          |   | Weight(kg) | 43                             |   |
| Part No.   | HD469-2510011                  |    | Part No.   | 138090320156                   |    |
| 名称         | 轴间差速器壳                         |   | 名称         | 滑动齿合套                          |   |
| Part Name  | Differential Housing           |   | Part Name  | Sliding Gear Sleeve            |   |
| Size(mm)   | ø250×90                        |   | Size(mm)   | ø120×61                        |   |
| Weight(kg) | 5                              |   | Weight(kg) | 1.5                            |   |
| Part No.   | 188000410040                   |   | Part No.   | 199014320053                   |   |
| 名称         | 右转向横拉杆臂                        |   | 名称         | 拨叉                             |   |
| Part Name  | Steering Nuckle Arm            |   | Part Name  | Balance Shaft Assembly         |   |
| Size(mm)   | 340×120×60                     |   | Size(mm)   | 154×105×33                     |   |
| Weight(kg) | 3.45                           |   | Weight(kg) | 0.3                            |   |
| Part No.   | 188000440012                   |  | Part No.   | 188000440032                   |  |
| 名称         | 前制动回位弹簧                        |   | 名称         | 回位弹簧销                          |   |
| Part Name  | Brake Return Spring            |   | Part Name  | Return Spring Pin              |   |
| Size(mm)   | ø22×280                        |   | Size(mm)   | ø12×95                         |   |
| Weight(kg) | 0.3                            |   | Weight(kg) | 0.05                           |   |
| Part No.   | DZ95189611300                  |  | Part No.   | 199000340027                   |  |
| 名称         | 车轮螺母                           |   | 名称         | 滚轮                             |   |
| Part Name  | Lugnut                         |   | Part Name  | Idler Wheel                    |   |
| Size(mm)   | ø46×26                         |   | Size(mm)   | ø42×60                         |   |
| Weight(kg) | 0.15                           |   | Weight(kg) | 0.3                            |   |
| Part No.   | 199000340056                   |  | Part No.   | 199000340057                   |  |
| 名称         | 间隙调整臂总成(左)                     |   | 名称         | 间隙调整臂总成(右)                     |   |
| Part Name  | Clearance Adjusting Arm(left)  |   | Part Name  | Clearance Adjusting Arm(Right) |   |
| Size(mm)   | 205×103×50                     |   | Size(mm)   | 205×103×50                     |   |
| Weight(kg) | 1.5                            |   | Weight(kg) | 1.5                            |   |
| Part No.   | 199000340062                   |  | Part No.   | 199000340070                   |  |
| 名称         | 制动底板                           |   | 名称         | 后刹车蹄铁                          |   |
| Part Name  | Brake Baseboard                |   | Part Name  | Rear Brake Shoe                |   |
| Size(mm)   | 385×260×130                    |   | Size(mm)   | 373×185×155                    |   |
| Weight(kg) | 2.5                            |   | Weight(kg) | 11.5                           |   |
| Part No.   | 199000440027                   |  | Part No.   | 199000440029                   |  |
| 名称         | 下制动摩擦片                         |   | 名称         | 上制动摩擦片                         |   |
| Part Name  | Brake Lining                   |   | Part Name  | Brake Lining                   |   |
| Size(mm)   | 138×160×13                     |   | Size(mm)   | 182×160×13                     |   |
| Weight(kg) | 0.5                            |   | Weight(kg) | 0.8                            |   |
| Part No.   | 199000440031                   |  | Part No.   | 199012320009                   |  |
| 名称         | 制动蹄总成(前)                       |   | 名称         | 半轴齿轮                           |   |
| Part Name  | Brake Shoe Assembly (Front)    |   | Part Name  | Axle Shaft Gear                |   |
| Size(mm)   | 370×160×186                    |   | Size(mm)   | ø125×66                        |   |
| Weight(kg) | 10.9                           |   | Weight(kg) | 1.4                            |   |

|            |   |   |            |                          |   |
|------------|---|---|------------|--------------------------|---|
| Part No.   | 199012320103                            |    | Part No.   | 199012340021             |    |
| 名称         | 轴承座                                     |   | 名称         | 后轮毂挡油罩                   |   |
| Part Name  | Bearing Block                           |   | Part Name  | Rear Hub Oil Shield      |   |
| Size(mm)   | 260×470×110                             |   | Size(mm)   | ø295×100                 |   |
| Weight(kg) | 16.6                                    |   | Weight(kg) | 2.4                      |   |
| Part No.   | HD90129320017                           |    | Part No.   | 199014320259             |    |
| 名称         | 过桥箱盖                                    |   | 名称         | 过桥箱                      |   |
| Part Name  | Bridge Box Cover                        |   | Part Name  | Connection Box           |   |
| Size(mm)   | 480×280×100                             |   | Size(mm)   | 470×280×185              |   |
| Weight(kg) | 10.5                                    |   | Weight(kg) | 21                       |   |
| Part No.   | 199014340042                            |    | Part No.   | 199100440001             |    |
| 名称         | 气室支架                                    |   | 名称         | 制动凸轮轴                    |   |
| Part Name  | Air Chamber Support                     |   | Part Name  | Brake Camshaft           |   |
| Size(mm)   | 380×190×200                             |   | Size(mm)   | 268×90×60                |   |
| Weight(kg) | 17.5                                    |   | Weight(kg) | 3                        |   |
| Part No.   | DZ9112340227                            |    | Part No.   | 81.35617.0002            |    |
| 名称         | 轮毂油封                                    |   | 名称         | 轴间差速器从动齿轮                |   |
| Part Name  | Hub Oil Sealing                         |   | Part Name  | Differential Driven Gear |   |
| Size(mm)   | ø220×20                                 |   | Size(mm)   | ø130×130                 |   |
| Weight(kg) | 0.65                                    |   | Weight(kg) | 2                        |   |
| Part No.   | 81.35608.0025                           |  | Part No.   | 199012340023             |  |
| 名称         | 十字轴                                     |   | 名称         | 半轴                       |   |
| Part Name  | Universal Joint                         |   | Part Name  | Half Shaft               |   |
| Size(mm)   | 200×200×55                              |   | Size(mm)   | ø60×1085                 |   |
| Weight(kg) | 2.25                                    |   | Weight(kg) | 8                        |   |
| Part No.   | 199014320165                            |  | Part No.   | 81.35125.0032            |  |
| 名称         | 中桥主减速器壳                                 |   | 名称         | 油封座                      |   |
| Part Name  | Intermediate Axle Reducing gear Housing |   | Part Name  | Oil Seal Seat            |   |
| Size(mm)   | ø270×250                                |   | Size(mm)   | ø130×45                  |   |
| Weight(kg) | 21                                      |   | Weight(kg) | 1.2                      |   |
| Part No.   | 81.35106.0036                           |  | Part No.   | 32316                    |  |
| 名称         | 半轴齿轮                                    |   | 名称         | 圆锥滚子轴承                   |   |
| Part Name  | Axle Shaft Gear                         |   | Part Name  | Tapered Toller Bearing   |   |
| Size(mm)   | ø124×56                                 |   | Size(mm)   | ø170×64                  |   |
| Weight(kg) | 1.85                                    |   | Weight(kg) | 2                        |   |
| Part No.   | 32222                                   |  | Part No.   | 6313/C4                  |  |
| 名称         | 圆锥滚子轴承                                  |   | 名称         | 深沟球轴承                    |   |
| Part Name  | Tapered Toller Bearing                  |   | Part Name  | Deep Groove Ball Bearing |   |
| Size(mm)   | ø200×60                                 |   | Size(mm)   | ø140×33                  |   |
| Weight(kg) | 1.85                                    |   | Weight(kg) | 2.05                     |   |
| Part No.   | 6312N                                   |  | Part No.   | 32315                    |  |
| 名称         | 有止动槽的向心球轴承                              |   | 名称         | 单列圆锥滚子轴承                 |   |
| Part Name  | Radial Ball Bearing                     |   | Part Name  | Tapered Roller Bearing   |   |
| Size(mm)   | ø130×31                                 |   | Size(mm)   | ø160×62                  |   |
| Weight(kg) | 1.65                                    |   | Weight(kg) | 5.3                      |   |
| Part No.   | 33115                                   |  | Part No.   | 33220                    |  |
| 名称         | 圆锥滚子轴承                                  |   | 名称         | 单列圆锥滚子轴承                 |   |
| Part Name  | Tapered Roller Bearing                  |   | Part Name  | Tapered Roller Bearing   |   |
| Size(mm)   | ø125×40                                 |   | Size(mm)   | ø180×67.5                |   |
| Weight(kg) | 1.75                                    |   | Weight(kg) | 6.65                     |   |
| Part No.   | 32024                                   |  | Part No.   | 33220                    |  |
| 名称         | 圆锥滚子轴承                                  |   | 名称         | 单列圆锥滚子轴承                 |   |
| Part Name  | Tapered Roller Bearing                  |   | Part Name  | Tapered Roller Bearing   |   |
| Size(mm)   | ø180×40.5                               |   | Size(mm)   | ø140×37                  |   |
| Weight(kg) | 3.15                                    |   | Weight(kg) | 2.1                      |   |

## 5. 底盘部件 Chassis parts

|            |                                  |   |            |                                   |   |
|------------|----------------------------------|---|------------|-----------------------------------|---|
| Part No.   | 190003559490                     |    | Part No.   | 190003888626                      |    |
| 名称         | 卡套式端直通接头体                        |   | 名称         | 前骑马螺帽                             |   |
| Part Name  | Straight joint                   |   | Part Name  | Front U bolt                      |   |
| Size(mm)   | 31×21×21                         |   | Size(mm)   | 30×26×28                          |   |
| Weight(kg) | 0.1                              |   | Weight(kg) | 0.046                             |   |
| Part No.   | 190003989318                     |    | Part No.   | 120900190017                      |    |
| 名称         | 卡箍                               |   | 名称         | 拉紧销                               |   |
| Part Name  | Bar clasp                        |   | Part Name  | Tension pin                       |   |
| Size(mm)   | ∅100×13                          |   | Size(mm)   | ∅30×15                            |   |
| Weight(kg) | 0.1                              |   | Weight(kg) | 0.05                              |   |
| Part No.   | 161200190040                     |    | Part No.   | 168000520043                      |    |
| 名称         | 空滤器堵塞指示器开关                       |   | 名称         | 垫圈                                |   |
| Part Name  | Filter plugging indicator switch |   | Part Name  | Washer                            |   |
| Size(mm)   | ∅40×53                           |   | Size(mm)   | ∅30×3                             |   |
| Weight(kg) | 0.05                             |   | Weight(kg) | 0.05                              |   |
| Part No.   | 168000520056                     |   | Part No.   | 168000590095                      |   |
| 名称         | 垫片                               |   | 名称         | 发动机前支承                            |   |
| Part Name  | Pad                              |   | Part Name  | Engine front support              |   |
| Size(mm)   | ∅32×15                           |   | Size(mm)   | 120×70×47                         |   |
| Weight(kg) | 0.02                             |   | Weight(kg) | 0.8                               |   |
| Part No.   | 178000680031                     |  | Part No.   | 179100710008                      |  |
| 名称         | 橡胶轴承                             |   | 名称         | 二位三通电磁阀                           |   |
| Part Name  | Rubber bearing                   |   | Part Name  | Solenoid valve                    |   |
| Size(mm)   | 53×44×38                         |   | Size(mm)   | 117×73×50                         |   |
| Weight(kg) | 0.4                              |   | Weight(kg) | 0.8                               |   |
| Part No.   | 179100770394                     |  | Part No.   | 179200470066                      |  |
| 名称         | 分线盒盖                             |   | 名称         | 带纤维夹层的橡胶软管                        |   |
| Part Name  | Junction box cover               |   | Part Name  | Rubber hose with fiber interlayer |   |
| Size(mm)   | 124×90×32                        |   | Size(mm)   | 930×∅18                           |   |
| Weight(kg) | 0.08                             |   | Weight(kg) | 1.4                               |   |
| Part No.   | 190003129804                     |  | Part No.   | 190003559386                      |  |
| 名称         | 橡胶密封带                            |   | 名称         | 卡套式直通接头体                          |   |
| Part Name  | Rubber sealing tape              |   | Part Name  | Straight connection body          |   |
| Size(mm)   | 1000×24×16                       |   | Size(mm)   | 31×32×32                          |   |
| Weight(kg) | 0.35                             |   | Weight(kg) | 0.08                              |   |
| Part No.   | 190003559462                     |  | Part No.   | 190003559464                      |  |
| 名称         | φ6直通L39                          |   | 名称         | φ10直通                             |   |
| Part Name  | φ 6 Straight through L39         |   | Part Name  | φ 10 straight through             |   |
| Size(mm)   | 23×11×23                         |   | Size(mm)   | 27×17×27                          |   |
| Weight(kg) | 0.013                            |   | Weight(kg) | 0.022                             |   |
| Part No.   | 190003559518                     |  | Part No.   | 190003559520                      |  |
| 名称         | φ10联管螺母L30                       |   | 名称         | 螺母Φ15                             |   |
| Part Name  | 10 pipe nut L30                  |   | Part Name  | Nut Φ 15                          |   |
| Size(mm)   | 16×19×16                         |   | Size(mm)   | 27×26×26                          |   |
| Weight(kg) | 0.018                            |   | Weight(kg) | 0.08                              |   |
| Part No.   | 190003559538                     |  | Part No.   | 190003559558                      |  |
| 名称         | 锥体环                              |   | 名称         | φ8卡套L79                           |   |
| Part Name  | Cone ring                        |   | Part Name  | φ 8 jacket L79                    |   |
| Size(mm)   | ∅9×20                            |   | Size(mm)   | ∅9×11                             |   |
| Weight(kg) | 0.01                             |   | Weight(kg) | 0.003                             |   |

|            |                       |
|------------|-----------------------|
| Part No.   | 81.41335.0084         |
| 名称         | 弹簧夹紧板                 |
| Part Name  | Spring clamping plate |
| Size(mm)   | 179×91×44             |
| Weight(kg) | 2.1                   |



|            |                 |
|------------|-----------------|
| Part No.   | 81.61510.0137   |
| 名称         | 防滑条             |
| Part Name  | Anti-skid strip |
| Size(mm)   | 425×65×14       |
| Weight(kg) | 0.146           |



|            |                    |
|------------|--------------------|
| Part No.   | 81.43722.6054      |
| 名称         | 右轴承座               |
| Part Name  | Right bearing seat |
| Size(mm)   | 170×116×140        |
| Weight(kg) | 3.45               |



|            |                 |
|------------|-----------------|
| Part No.   | 81.12240.0003   |
| 名称         | 紧固带             |
| Part Name  | Tightening belt |
| Size(mm)   | 770×40×4        |
| Weight(kg) | 0.85            |



|            |               |
|------------|---------------|
| Part No.   | 81.41506.0130 |
| 名称         | 垫板            |
| Part Name  | Base plate    |
| Size(mm)   | ∅109×15       |
| Weight(kg) | 0.396         |



|            |                                 |
|------------|---------------------------------|
| Part No.   | DZ95259590067                   |
| 名称         | 发动机左后悬置减振垫                      |
| Part Name  | Engine left rear suspension pad |
| Size(mm)   | 180×150×150                     |
| Weight(kg) | 5.35                            |



|            |                |
|------------|----------------|
| Part No.   | SZ965000747    |
| 名称         | SCB_稳定杆支架      |
| Part Name  | Stabilizer bar |
| Size(mm)   | 140×110×270    |
| Weight(kg) | 5.35           |



|            |                          |
|------------|--------------------------|
| Part No.   | SZ952000900              |
| 名称         | SCB_后板簧后支架               |
| Part Name  | Rear leaf spring bracket |
| Size(mm)   | 242×190×160              |
| Weight(kg) | 7                        |



|            |                  |
|------------|------------------|
| Part No.   | DZ95259591312    |
| 名称         | 右悬置              |
| Part Name  | Right suspension |
| Size(mm)   | 116×116×127      |
| Weight(kg) | 1                |



|            |                       |
|------------|-----------------------|
| Part No.   | 199100590033          |
| 名称         | 右支承托架                 |
| Part Name  | Right support bracket |
| Size(mm)   | 350×115×85            |
| Weight(kg) | 4.25                  |



|            |               |
|------------|---------------|
| Part No.   | DZ95189840010 |
| 名称         | 牵引销           |
| Part Name  | Traction pin  |
| Size(mm)   | 230×130×60    |
| Weight(kg) | 4             |



|            |               |
|------------|---------------|
| Part No.   | 81.51710.0940 |
| 名称         | 支架            |
| Part Name  | Bracket       |
| Size(mm)   | 105×80×30     |
| Weight(kg) | 0.252         |



|            |                   |
|------------|-------------------|
| Part No.   | 81.08240.5201     |
| 名称         | 蝴蝶支架              |
| Part Name  | Butterfly bracket |
| Size(mm)   | 185×133×33        |
| Weight(kg) | 0.376             |



|            |                   |
|------------|-------------------|
| Part No.   | 81.43722.6055     |
| 名称         | 左轴承座              |
| Part Name  | Left bearing seat |
| Size(mm)   | 170×116×140       |
| Weight(kg) | 3.4               |



|            |               |
|------------|---------------|
| Part No.   | 81.41653.0004 |
| 名称         | 撑杆            |
| Part Name  | Staypole      |
| Size(mm)   | 935×60×42     |
| Weight(kg) | 3.15          |



|            |                 |
|------------|-----------------|
| Part No.   | 26013314030-75  |
| 名称         | 吊架              |
| Part Name  | Hanging bracket |
| Size(mm)   | 290×130×205     |
| Weight(kg) | 6.65            |



|            |                            |
|------------|----------------------------|
| Part No.   | DZ95259590068              |
| 名称         | 发动机右后悬置减振垫                 |
| Part Name  | Engine rear suspension pad |
| Size(mm)   | 180×150×150                |
| Weight(kg) | 5.3                        |



|            |                                      |
|------------|--------------------------------------|
| Part No.   | SZ970000020                          |
| 名称         | SCB_前簧左前支架                           |
| Part Name  | Front leaf spring left front bracket |
| Size(mm)   | 190×150×295                          |
| Weight(kg) | 5.4                                  |



|            |                         |
|------------|-------------------------|
| Part No.   | JZ93629520042           |
| 名称         | 后簧骑马螺栓                  |
| Part Name  | Rear leaf spring U-bolt |
| Size(mm)   | 140×520×25              |
| Weight(kg) | 3.75                    |



|            |              |
|------------|--------------|
| Part No.   | SZ197000001  |
| 名称         | 横梁           |
| Part Name  | Cross member |
| Size(mm)   | 1350×200×130 |
| Weight(kg) | 5.9          |



|            |                      |
|------------|----------------------|
| Part No.   | 199100590032         |
| 名称         | 左支承托架                |
| Part Name  | Left support bracket |
| Size(mm)   | 350×115×85           |
| Weight(kg) | 4.15                 |



|            |               |
|------------|---------------|
| Part No.   | DZ93189551042 |
| 名称         | 油量感应器         |
| Part Name  | Fuel sensor   |
| Size(mm)   | 680×93×73     |
| Weight(kg) | 0.65          |



|            |   |   |            |                                   |   |
|------------|---|---|------------|-----------------------------------|---|
| Part No.   | 190003559561                            |    | Part No.   | 190003559563                      |    |
| 名称         | 卡套                                      |   | 名称         | 卡套                                |   |
| Part Name  | Clip sleeve                             |   | Part Name  | Clip sleeve                       |   |
| Size(mm)   | ø9×9                                    |   | Size(mm)   | ø15×12                            |   |
| Weight(kg) | 0.001                                   |   | Weight(kg) | 0.001                             |   |
| Part No.   | 190003559564                            |    | Part No.   | 190003559647                      |    |
| 名称         | φ10卡套L31                                |   | 名称         | 直角形管接头体                           |   |
| Part Name  | φ 10 clip sleeve L31                    |   | Part Name  | Rectangular connector             |   |
| Size(mm)   | ø10×13                                  |   | Size(mm)   | 55×45×29                          |   |
| Weight(kg) | 0.01                                    |   | Weight(kg) | 0.05                              |   |
| Part No.   | 190003559653                            |    | Part No.   | 190003559949                      |    |
| 名称         | 直角接头体                                   |   | 名称         | 直通接头体                             |   |
| Part Name  | Right Angle Connector                   |   | Part Name  | Straight-through connector        |   |
| Size(mm)   | 38×29×10                                |   | Size(mm)   | 43×41×16                          |   |
| Weight(kg) | 0.01                                    |   | Weight(kg) | 0.02                              |   |
| Part No.   | 190003888467                            |    | Part No.   | 190003936514                      |    |
| 名称         | 自锁螺母                                    |   | 名称         | 卡簧                                |   |
| Part Name  | Self-locking nut                        |   | Part Name  | Jump ring                         |   |
| Size(mm)   | 29×29×19                                |   | Size(mm)   | 16×17×16                          |   |
| Weight(kg) | 0.006                                   |   | Weight(kg) | 0.001                             |   |
| Part No.   | 190003962612                            |   | Part No.   | DZ91189551131                     |   |
| 名称         | 空心螺栓                                    |   | 名称         | 油量感应器                             |   |
| Part Name  | Hollow bolt                             |   | Part Name  | Fuel sensor                       |   |
| Size(mm)   | 29×29×17                                |   | Size(mm)   | 640×95×73                         |   |
| Weight(kg) | 0.02                                    |   | Weight(kg) | 0.45                              |   |
| Part No.   | 190003559482                            |  | Part No.   | 190003559509                      |  |
| 名称         | 三通接头体                                   |   | 名称         | 联管螺母                              |   |
| Part Name  | T-junction                              |   | Part Name  | Connecting pipe nut               |   |
| Size(mm)   | 39×24×10                                |   | Size(mm)   | 15×14×14                          |   |
| Weight(kg) | 0.7                                     |   | Weight(kg) | 0.1                               |   |
| Part No.   | 190003963320                            |  | Part No.   | 190003963616                      |  |
| 名称         | 双颈球头销                                   |   | 名称         | 带锁环的球形活节                          |   |
| Part Name  | Double neck ball stud                   |   | Part Name  | Spherical knot with locking ring  |   |
| Size(mm)   | 24×13×13                                |   | Size(mm)   | 32×16×14                          |   |
| Weight(kg) | 0.001                                   |   | Weight(kg) | 0.001                             |   |
| Part No.   | 190003963623                            |  | Part No.   | 190003989300                      |  |
| 名称         | 带锁环的球形活节                                |   | 名称         | 软管卡箍                              |   |
| Part Name  | Spherical live knots with locking rings |   | Part Name  | Hose clamp                        |   |
| Size(mm)   | 40×19×16                                |   | Size(mm)   | 30×22×8                           |   |
| Weight(kg) | 0.002                                   |   | Weight(kg) | 0.007                             |   |
| Part No.   | 190003989310                            |  | Part No.   | 190003999960                      |  |
| 名称         | 软管卡箍                                    |   | 名称         | 消声管夹                              |   |
| Part Name  | Hose clamp                              |   | Part Name  | Silencing pipe clamp              |   |
| Size(mm)   | 105×95×15                               |   | Size(mm)   | 220×163×30                        |   |
| Weight(kg) | 0.05                                    |   | Weight(kg) | 0.7                               |   |
| Part No.   | 199000360423                            |  | Part No.   | 199000520006                      |  |
| 名称         | φ10直通                                   |   | 名称         | 导向销                               |   |
| Part Name  | φ 10 straight through                   |   | Part Name  | Guide pin                         |   |
| Size(mm)   | 18×18×17                                |   | Size(mm)   | 36×14×14                          |   |
| Weight(kg) | 0.02                                    |   | Weight(kg) | 0.02                              |   |
| Part No.   | 199000520078                            |  | Part No.   | 199012520011                      |  |
| 名称         | 弹簧销套                                    |   | 名称         | 后桥钢板限位块                           |   |
| Part Name  | Spring pin                              |   | Part Name  | Rear axle steel plate limit block |   |
| Size(mm)   | 97×ø40                                  |   | Size(mm)   | 120×45×84                         |   |
| Weight(kg) | 0.3                                     |   | Weight(kg) | 0.5                               |   |

|            |                              |   |            |                             |   |
|------------|------------------------------|---|------------|-----------------------------|---|
| Part No.   | 199012680009                 |    | Part No.   | DZ9112360041                |    |
| 名称         | 螺栓                           |   | 名称         | 管束隔热护套                      |   |
| Part Name  | Bolt                         |   | Part Name  | Pipe heat insulation jacket |   |
| Size(mm)   | 103×27×27                    |   | Size(mm)   | 790×200×22                  |   |
| Weight(kg) | 0.15                         |   | Weight(kg) | 0.3                         |   |
| Part No.   | 199014280041                 |    | Part No.   | 199014280042                |    |
| 名称         | φ8卡芯K51                      |   | 名称         | φ10卡芯K52/3                  |   |
| Part Name  | φ 8 core K51                 |   | Part Name  | φ 10 core K52/3             |   |
| Size(mm)   | 8×14×14                      |   | Size(mm)   | 10×φ15                      |   |
| Weight(kg) | 0.001                        |   | Weight(kg) | 0.002                       |   |
| Part No.   | 199014520191                 |    | Part No.   | 199014520224                |    |
| 名称         | 间隔衬套                         |   | 名称         | 平衡板                         |   |
| Part Name  | Strut sleeve                 |   | Part Name  | Balance plate               |   |
| Size(mm)   | φ122×108                     |   | Size(mm)   | 186×102×1                   |   |
| Weight(kg) | 1.5                          |   | Weight(kg) | 0.2                         |   |
| Part No.   | 199014520225                 |    | Part No.   | 199014520227                |    |
| 名称         | 平衡板                          |   | 名称         | 双头螺栓                        |   |
| Part Name  | Balance plate                |   | Part Name  | Bolt stud                   |   |
| Size(mm)   | 320×110×3.5                  |   | Size(mm)   | 71×φ18                      |   |
| Weight(kg) | 0.7                          |   | Weight(kg) | 0.1                         |   |
| Part No.   | 199014520303                 |  | Part No.   | DZ93259932161               |  |
| 名称         | 定位垫圈                         |   | 名称         | 防滑板                         |   |
| Part Name  | Positioning washer           |   | Part Name  | Anti-skid plate             |   |
| Size(mm)   | φ122×2                       |   | Size(mm)   | 300×62×6                    |   |
| Weight(kg) | 0.01                         |   | Weight(kg) | 0.054                       |   |
| Part No.   | 199018430006                 |  | Part No.   | 199100360058                |  |
| 名称         | 转向横拉杆                        |   | 名称         | 前桥刹车分泵 (左)                  |   |
| Part Name  | Steering tie-rod             |   | Part Name  | Front brake cylinder (left) |   |
| Size(mm)   | 1660×110×80                  |   | Size(mm)   | 310×240×190                 |   |
| Weight(kg) | 11.2                         |   | Weight(kg) | 3.65                        |   |
| Part No.   | 199100360059                 |  | Part No.   | 199100360101                |  |
| 名称         | 前桥刹车分泵 (右)                   |   | 名称         | 储气罐支架                       |   |
| Part Name  | Front brake cylinder (right) |   | Part Name  | Gas tank support            |   |
| Size(mm)   | 310×240×190                  |   | Size(mm)   | 285×110×25                  |   |
| Weight(kg) | 3.65                         |   | Weight(kg) | 0.25                        |   |
| Part No.   | 199100360111                 |  | Part No.   | 199100360134                |  |
| 名称         | 三通接头体                        |   | 名称         | 隔环                          |   |
| Part Name  | T joint                      |   | Part Name  | Spacer ring                 |   |
| Size(mm)   | 59×41×16                     |   | Size(mm)   | φ24×2                       |   |
| Weight(kg) | 0.01                         |   | Weight(kg) | 0.001                       |   |
| Part No.   | 199100360173                 |  | Part No.   | 199100430014                |  |
| 名称         | 储气罐拉带                        |   | 名称         | 方向直拉杆                       |   |
| Part Name  | Air tank drawstring          |   | Part Name  | Directional straight rod    |   |
| Size(mm)   | 1200×30×17                   |   | Size(mm)   | 1060×120×45                 |   |
| Weight(kg) | 0.4                          |   | Weight(kg) | 7                           |   |
| Part No.   | 199100470076                 |  | Part No.   | 199100510008                |  |
| 名称         | 环状接头                         |   | 名称         | 稳定杆托架                       |   |
| Part Name  | Ring joint                   |   | Part Name  | Stabilizer bracket          |   |
| Size(mm)   | 92×45×30                     |   | Size(mm)   | 280×160×85                  |   |
| Weight(kg) | 0.2                          |   | Weight(kg) | 3.25                        |   |
| Part No.   | 199100520065                 |  | Part No.   | 199100550010                |  |
| 名称         | 弹簧销轴                         |   | 名称         | 油箱拉带                        |   |
| Part Name  | Spring pin shaft             |   | Part Name  | Tank drawstring             |   |
| Size(mm)   | 155×φ30                      |   | Size(mm)   | 1020×38×2                   |   |
| Weight(kg) | 0.8                          |   | Weight(kg) | 0.5                         |   |

|            |              |
|------------|--------------|
| Part No.   | 199100540144 |
| 名称         | 支架           |
| Part Name  | Support      |
| Size(mm)   | 400×38×72    |
| Weight(kg) | 0.7          |



|            |                  |
|------------|------------------|
| Part No.   | 199100530161     |
| 名称         | 散热器支座            |
| Part Name  | Radiator support |
| Size(mm)   | 220×93×25        |
| Weight(kg) | 1.3              |



|            |               |
|------------|---------------|
| Part No.   | 199100680021  |
| 名称         | 垫板            |
| Part Name  | Backing board |
| Size(mm)   | 70×50×4       |
| Weight(kg) | 0.15          |



|            |                       |
|------------|-----------------------|
| Part No.   | 199100680054          |
| 名称         | 轴套合件                  |
| Part Name  | Shaft sleeve assembly |
| Size(mm)   | ∅35×45                |
| Weight(kg) | 0.1                   |



|            |              |
|------------|--------------|
| Part No.   | 199100680057 |
| 名称         | 螺栓           |
| Part Name  | Bolt         |
| Size(mm)   | 95×24×24     |
| Weight(kg) | 0.15         |



|            |                |
|------------|----------------|
| Part No.   | 199100680068   |
| 名称         | 橡胶轴承           |
| Part Name  | Rubber bearing |
| Size(mm)   | 73×70×65       |
| Weight(kg) | 0.2            |



|            |               |
|------------|---------------|
| Part No.   | Dz97259533010 |
| 名称         | 膨胀箱           |
| Part Name  | Expansion box |
| Size(mm)   | 690×410×150   |
| Weight(kg) | 2.7           |



|            |                         |
|------------|-------------------------|
| Part No.   | 199100760227            |
| 名称         | 加强的蓄电池箱体                |
| Part Name  | Reinforced battery case |
| Size(mm)   | 660×580×220             |
| Weight(kg) | 23                      |



|            |                   |
|------------|-------------------|
| Part No.   | 199100760008      |
| 名称         | 蓄电池箱盖             |
| Part Name  | Battery box cover |
| Size(mm)   | 670×600×240       |
| Weight(kg) | 7                 |



|            |              |
|------------|--------------|
| Part No.   | 199100820012 |
| 名称         | 垫片           |
| Part Name  | Pad          |
| Size(mm)   | ∅65×3        |
| Weight(kg) | 0.15         |



|            |               |
|------------|---------------|
| Part No.   | 199100820013  |
| 名称         | 上撑条           |
| Part Name  | Upper bracing |
| Size(mm)   | 310×40×50     |
| Weight(kg) | 0.75          |



|            |              |
|------------|--------------|
| Part No.   | 199100820014 |
| 名称         | 中撑条          |
| Part Name  | Middle brace |
| Size(mm)   | 290×40×50    |
| Weight(kg) | 0.7          |



|            |               |
|------------|---------------|
| Part No.   | 199100820015  |
| 名称         | 下撑条           |
| Part Name  | Lower bracing |
| Size(mm)   | 280×40×50     |
| Weight(kg) | 0.7           |



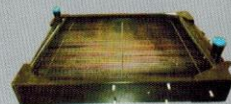
|            |                   |
|------------|-------------------|
| Part No.   | 199100820028      |
| 名称         | 驾驶室翻转油缸           |
| Part Name  | Cab flip cylinder |
| Size(mm)   | 680×110×60        |
| Weight(kg) | 6                 |



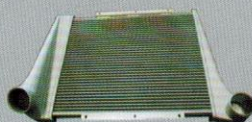
|            |                   |
|------------|-------------------|
| Part No.   | 199112230033      |
| 名称         | 离合器拨叉轴焊接          |
| Part Name  | Clutch fork shaft |
| Size(mm)   | 500×95×50         |
| Weight(kg) | 2.4               |



|            |                     |
|------------|---------------------|
| Part No.   | 199112530268        |
| 名称         | 水箱散热器               |
| Part Name  | Water tank radiator |
| Size(mm)   | 990×760×220         |
| Weight(kg) | 28                  |



|            |              |
|------------|--------------|
| Part No.   | 199112530269 |
| 名称         | 中冷器          |
| Part Name  | Intercooler  |
| Size(mm)   | 1058×750×250 |
| Weight(kg) | 11.19        |



|            |              |
|------------|--------------|
| Part No.   | 199112540162 |
| 名称         | 卡箍           |
| Part Name  | Bar clasp    |
| Size(mm)   | 214×50×20    |
| Weight(kg) | 0.15         |



|            |               |
|------------|---------------|
| Part No.   | 199112820055  |
| 名称         | 轴座托架          |
| Part Name  | Shaft bracket |
| Size(mm)   | 455×130×100   |
| Weight(kg) | 7.5           |



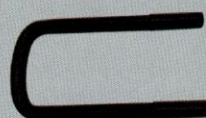
|            |               |
|------------|---------------|
| Part No.   | 199112820060  |
| 名称         | 轴座托架          |
| Part Name  | Shaft bracket |
| Size(mm)   | 455×130×100   |
| Weight(kg) | 7.5           |



|            |                    |
|------------|--------------------|
| Part No.   | 199114520059       |
| 名称         | 定位垫圈               |
| Part Name  | Positioning washer |
| Size(mm)   | ∅122×2.5           |
| Weight(kg) | 0.1                |



|            |                   |
|------------|-------------------|
| Part No.   | 199114520146      |
| 名称         | 后钢板骑马螺栓           |
| Part Name  | Rear steel U bolt |
| Size(mm)   | 565×145×24        |
| Weight(kg) | 4.15              |



|            |                                       |   |            |                                |   |
|------------|---------------------------------------|---|------------|--------------------------------|---|
| Part No.   | 199114520204                          |    | Part No.   | 199114530138                   |    |
| 名称         | 平衡板                                   |   | 名称         | 橡胶软管                           |   |
| Part Name  | Balance plate                         |   | Part Name  | Rubber hose                    |   |
| Size(mm)   | 286×100×6                             |   | Size(mm)   | 138×ø10                        |   |
| Weight(kg) | 1.25                                  |   | Weight(kg) | 0.2                            |   |
| Part No.   | 199114530428                          |    | Part No.   | 199114530431                   |    |
| 名称         | 橡胶软管                                  |   | 名称         | 橡胶软管                           |   |
| Part Name  | Rubber hose                           |   | Part Name  | Rubber hose                    |   |
| Size(mm)   | ø270×40                               |   | Size(mm)   | 430×ø27                        |   |
| Weight(kg) | 0.45                                  |   | Weight(kg) | 1.9                            |   |
| Part No.   | 199118470015                          |    | Part No.   | Dz9112532888                   |    |
| 名称         | 支板                                    |   | 名称         | 铝散热器                           |   |
| Part Name  | Supporting plate                      |   | Part Name  | Aluminum radiator              |   |
| Size(mm)   | 300×130×250                           |   | Size(mm)   | 940×755×210                    |   |
| Weight(kg) | 5.75                                  |   | Weight(kg) | 9                              |   |
| Part No.   | 06.01489.0055                         |    | Part No.   | 06.02829.0009                  |    |
| 名称         | 六角螺栓                                  |   | 名称         | 六角螺栓                           |   |
| Part Name  | Hexagon bolt                          |   | Part Name  | Hexagonal bolt                 |   |
| Size(mm)   | 22×12×12                              |   | Size(mm)   | 34×8×8                         |   |
| Weight(kg) | 0.01                                  |   | Weight(kg) | 0.02                           |   |
| Part No.   | 06.02829.0010                         |  | Part No.   | 06.04209.0025                  |  |
| 名称         | 盘头螺钉                                  |   | 名称         | 十字槽盘头螺钉                        |   |
| Part Name  | Pan head screw                        |   | Part Name  | Cross recessed disc head screw |   |
| Size(mm)   | 10×6×6                                |   | Size(mm)   | 34×8×8                         |   |
| Weight(kg) | 0.001                                 |   | Weight(kg) | 0.02                           |   |
| Part No.   | 06.04300.4706                         |  | Part No.   | 06.11069.0157                  |  |
| 名称         | 十字槽沉头螺钉                               |   | 名称         | 六角法兰面螺母                        |   |
| Part Name  | Cross recessed countersunk head screw |   | Part Name  | Hexagonal flange nut           |   |
| Size(mm)   | 10×5×5                                |   | Size(mm)   | 13×8×8                         |   |
| Weight(kg) | 0.001                                 |   | Weight(kg) | 0.005                          |   |
| Part No.   | 06.13189.0012                         |  | Part No.   | 06.13189.0024                  |  |
| 名称         | 簧片螺母                                  |   | 名称         | 簧片螺母                           |   |
| Part Name  | Reed nut                              |   | Part Name  | Reed nut                       |   |
| Size(mm)   | 4.2×12×2                              |   | Size(mm)   | 3.9×11×1                       |   |
| Weight(kg) | 0.001                                 |   | Weight(kg) | 0.001                          |   |
| Part No.   | 06.43839.0067                         |  | Part No.   | P1120822080012-01              |  |
| 名称         | 固定夹                                   |   | 名称         | φ52凸缘叉                         |   |
| Part Name  | Fixing clamp                          |   | Part Name  | φ 52 flange fork               |   |
| Size(mm)   | 26×11×15                              |   | Size(mm)   | 165×172×140                    |   |
| Weight(kg) | 0.03                                  |   | Weight(kg) | 4.35                           |   |
| Part No.   | 116003840071                          |  | Part No.   | 116100430128                   |  |
| 名称         | 橡胶软管                                  |   | 名称         | 驾驶室翻转轴                         |   |
| Part Name  | Rubber hose                           |   | Part Name  | Cab turning shaft              |   |
| Size(mm)   | 128×ø29                               |   | Size(mm)   | 158×30×30                      |   |
| Weight(kg) | 0.4                                   |   | Weight(kg) | 0.3                            |   |
| Part No.   | 116100430134                          |  | Part No.   | 116100840031                   |  |
| 名称         | 翻转轴内径衬套                               |   | 名称         | 橡胶软管                           |   |
| Part Name  | Turning shaft inner diameter bushing  |   | Part Name  | Rubber hose                    |   |
| Size(mm)   | 58×ø56                                |   | Size(mm)   | 146×ø30                        |   |
| Weight(kg) | 0.1                                   |   | Weight(kg) | 1.8                            |   |
| Part No.   | 133700530022                          |  | Part No.   | 1380A0540083                   |  |
| 名称         | 胶管(带纤维夹层)                             |   | 名称         | 橡胶金属支承                         |   |
| Part Name  | Hose (with fiber interlayer)          |   | Part Name  | Rubber metal support           |   |
| Size(mm)   | 300×ø15                               |   | Size(mm)   | 70×ø45                         |   |
| Weight(kg) | 0.15                                  |   | Weight(kg) | 0.05                           |   |

|            |              |
|------------|--------------|
| Part No.   | 158600520021 |
| 名称         | 限位块          |
| Part Name  | Limit block  |
| Size(mm)   | 120×60×84    |
| Weight(kg) | 0.5          |



|            |              |
|------------|--------------|
| Part No.   | 161000060211 |
| 名称         | 橡胶软管         |
| Part Name  | Rubber hose  |
| Size(mm)   | ø20×35       |
| Weight(kg) | 0.01         |



|            |              |
|------------|--------------|
| Part No.   | 168000520050 |
| 名称         | 垫圈           |
| Part Name  | Gasket       |
| Size(mm)   | ø50×1        |
| Weight(kg) | 0.01         |



|            |                |
|------------|----------------|
| Part No.   | 178200410007   |
| 名称         | 橡胶支座           |
| Part Name  | Rubber bearing |
| Size(mm)   | 107×90×50      |
| Weight(kg) | 0.3            |



|            |                              |
|------------|------------------------------|
| Part No.   | 179100710004                 |
| 名称         | 气压信号灯开关                      |
| Part Name  | Pressure signal light switch |
| Size(mm)   | 52×24×24                     |
| Weight(kg) | 0.2                          |



|            |                    |
|------------|--------------------|
| Part No.   | 188000520002       |
| 名称         | 前簧压板               |
| Part Name  | Front spring plate |
| Size(mm)   | 140×90×25          |
| Weight(kg) | 1.5                |



|            |                          |
|------------|--------------------------|
| Part No.   | 188000520017             |
| 名称         | 前簧限位块                    |
| Part Name  | Front spring limit block |
| Size(mm)   | ø76×85                   |
| Weight(kg) | 0.6                      |



|            |              |
|------------|--------------|
| Part No.   | 189100770088 |
| 名称         | 轴间差速及爬行档线束   |
| Part Name  | Wire harness |
| Size(mm)   | 80×30×30     |
| Weight(kg) | 0.7          |



|            |                        |
|------------|------------------------|
| Part No.   | 190003559463           |
| 名称         | 直通接头体                  |
| Part Name  | Straight-through joint |
| Size(mm)   | 25×14×25               |
| Weight(kg) | 0.017                  |



|            |                       |
|------------|-----------------------|
| Part No.   | 190003559465          |
| 名称         | φ12直通                 |
| Part Name  | φ 12 straight through |
| Size(mm)   | 43×16×16              |
| Weight(kg) | 0.02                  |



|            |                        |
|------------|------------------------|
| Part No.   | 190003559473           |
| 名称         | 直通过板接头体                |
| Part Name  | Straight through joint |
| Size(mm)   | 54×27×40               |
| Weight(kg) | 0.15                   |



|            |                              |
|------------|------------------------------|
| Part No.   | 190003559479                 |
| 名称         | 直通过板接头体                      |
| Part Name  | Straight through plate joint |
| Size(mm)   | 40×25×15                     |
| Weight(kg) | 0.05                         |



|            |              |
|------------|--------------|
| Part No.   | 190003559483 |
| 名称         | 三通接头体        |
| Part Name  | T joint      |
| Size(mm)   | 65×41×16     |
| Weight(kg) | 0.01         |



|            |                               |
|------------|-------------------------------|
| Part No.   | 190003559496                  |
| 名称         | 锥端直角接头体                       |
| Part Name  | Conical end right angle joint |
| Size(mm)   | 26×25×12                      |
| Weight(kg) | 0.03                          |



|            |                |
|------------|----------------|
| Part No.   | 190003559539   |
| 名称         | 密封垫圈           |
| Part Name  | Sealing washer |
| Size(mm)   | ø18×1.5        |
| Weight(kg) | 0.001          |



|            |                 |
|------------|-----------------|
| Part No.   | 190003559562    |
| 名称         | 卡套              |
| Part Name  | Cutting ferrule |
| Size(mm)   | ø18×10          |
| Weight(kg) | 0.01            |



|            |              |
|------------|--------------|
| Part No.   | 190003930010 |
| 名称         | 垫圈           |
| Part Name  | Gasket       |
| Size(mm)   | ø23×4        |
| Weight(kg) | 0.02         |



|            |                                    |
|------------|------------------------------------|
| Part No.   | 190003963124                       |
| 名称         | 米制锥螺纹滑脂嘴                           |
| Part Name  | Metric taper thread grease nozzles |
| Size(mm)   | 16×10×10                           |
| Weight(kg) | 0.01                               |



|            |              |
|------------|--------------|
| Part No.   | 190003989336 |
| 名称         | 软管卡箍         |
| Part Name  | Hose clamp   |
| Size(mm)   | 32×20×10     |
| Weight(kg) | 0.05         |



|            |              |
|------------|--------------|
| Part No.   | 199000520086 |
| 名称         | 骑马螺栓         |
| Part Name  | U bolt       |
| Size(mm)   | 295×130×19   |
| Weight(kg) | 1.5          |



|            |              |
|------------|--------------|
| Part No.   | 199000540061 |
| 名称         | 卡箍           |
| Part Name  | Bar clamp    |
| Size(mm)   | 198×31×62    |
| Weight(kg) | 0.1          |



|            |                  |
|------------|------------------|
| Part No.   | 199014520175     |
| 名称         | 下推力杆             |
| Part Name  | Lower thrust rod |
| Size(mm)   | 740×200×110      |
| Weight(kg) | 13.5             |



|            |                              |   |            |                                   |   |
|------------|------------------------------|---|------------|-----------------------------------|---|
| Part No.   | 199014520192                 |    | Part No.   | 199014520238                      |    |
| 名称         | 定位垫圈                         |   | 名称         | 前簧骑马螺栓                            |   |
| Part Name  | positioning washer           |   | Part Name  | Front spring U bolt               |   |
| Size(mm)   | ø122×1                       |   | Size(mm)   | 240×130×18                        |   |
| Weight(kg) | 0.05                         |   | Weight(kg) | 1.3                               |   |
| Part No.   | 199014520259                 |    | Part No.   | 199100240010                      |    |
| 名称         | 前板簧骑马螺栓                      |   | 名称         | 固定支架                              |   |
| Part Name  | Front leaf spring U bolt     |   | Part Name  | Fixing support                    |   |
| Size(mm)   | 260×130×18                   |   | Size(mm)   | 218×180×76                        |   |
| Weight(kg) | 1.5                          |   | Weight(kg) | 3.2                               |   |
| Part No.   | 199100430018                 |    | Part No.   | 199100470102                      |    |
| 名称         | 转向横拉杆                        |   | 名称         | 转向万向节                             |   |
| Part Name  | Steering tie-rod             |   | Part Name  | Steering universal joint          |   |
| Size(mm)   | 1060×120×45                  |   | Size(mm)   | 120×65×70                         |   |
| Weight(kg) | 7                            |   | Weight(kg) | 0.8                               |   |
| Part No.   | 199100520013                 |    | Part No.   | 190003439923                      |    |
| 名称         | 后簧后支架                        |   | 名称         | 蓄电池电线接头                           |   |
| Part Name  | Rear spring rear bracket     |   | Part Name  | Battery wire connection           |   |
| Size(mm)   | 270×185×150                  |   | Size(mm)   | 48×44×21                          |   |
| Weight(kg) | 8                            |   | Weight(kg) | 0.1                               |   |
| Part No.   | 190003559955                 |  | Part No.   | 190003559516                      |  |
| 名称         | 直角接头体                        |   | 名称         | 联管螺母                              |   |
| Part Name  | Right-angle joint            |   | Part Name  | Connecting pipe nut               |   |
| Size(mm)   | 54×32×25                     |   | Size(mm)   | 15×14×14                          |   |
| Weight(kg) | 0.1                          |   | Weight(kg) | 0.1                               |   |
| Part No.   | 81.98181.6086                |  | Part No.   | 190003963127                      |  |
| 名称         | 直角接头体                        |   | 名称         | 米制锥螺纹滑脂嘴                          |   |
| Part Name  | Right-angle joint            |   | Part Name  | Metric taper thread grease nozzle |   |
| Size(mm)   | 41×41×16                     |   | Size(mm)   | 21×10×10                          |   |
| Weight(kg) | 0.03                         |   | Weight(kg) | 0.02                              |   |
| Part No.   | 81.98181.6114                |  | Part No.   | 81.98181.6217                     |  |
| 名称         | 六角接头座                        |   | 名称         | 直角接头                              |   |
| Part Name  | Hexagon joint seat           |   | Part Name  | Right-angle joint                 |   |
| Size(mm)   | Φ20×18                       |   | Size(mm)   | 62×24×22                          |   |
| Weight(kg) | 0.02                         |   | Weight(kg) | 0.07                              |   |
| Part No.   | 199100360252                 |  | Part No.   | DZ1560160012                      |  |
| 名称         | 支承套                          |   | 名称         | 从动盘                               |   |
| Part Name  | Support sleeve               |   | Part Name  | Driven disc                       |   |
| Size(mm)   | ø13×15                       |   | Size(mm)   | ø430×60                           |   |
| Weight(kg) | 0.1                          |   | Weight(kg) | 8                                 |   |
| Part No.   | 81.43613.0030                |  | Part No.   | DZ1640440160                      |  |
| 名称         | 橡胶连接铰链                       |   | 名称         | 右后悬置支架                            |   |
| Part Name  | Rubber connecting hinge      |   | Part Name  | Right rear suspension bracket     |   |
| Size(mm)   | 50×35×15                     |   | Size(mm)   | 690×200×130                       |   |
| Weight(kg) | 0.015                        |   | Weight(kg) | 1.5                               |   |
| Part No.   | DZ1640440050                 |  | Part No.   | DZ9112230181                      |  |
| 名称         | 左后悬置支架                       |   | 名称         | 离合器分泵                             |   |
| Part Name  | Left rear suspension bracket |   | Part Name  | Driven disc                       |   |
| Size(mm)   | 690×200×130                  |   | Size(mm)   | 320×110×110                       |   |
| Weight(kg) | 6.2                          |   | Weight(kg) | 2.5                               |   |
| Part No.   | 190003933242                 |  | Part No.   | 81.46122.6112                     |  |
| 名称         | 轴用弹性挡圈                       |   | 名称         | 转向伸缩轴                             |   |
| Part Name  | Elastic stop ring for axle   |   | Part Name  | Steering telescopic shaft         |   |
| Size(mm)   | ø40×2                        |   | Size(mm)   | 643×ø57                           |   |
| Weight(kg) | 0.009                        |   | Weight(kg) | 4.65                              |   |

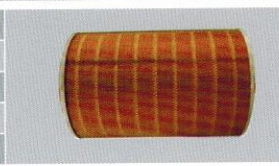
|            |                  |
|------------|------------------|
| Part No.   | DZ9114160023     |
| 名称         | 分离轴承             |
| Part Name  | Separate bearing |
| Size(mm)   | Φ125×130         |
| Weight(kg) | 3.63             |



|            |              |
|------------|--------------|
| Part No.   | DZ1560160020 |
| 名称         | 从动盘          |
| Part Name  | Driven disc  |
| Size(mm)   | ø430×60      |
| Weight(kg) | 10.7         |



|            |                    |
|------------|--------------------|
| Part No.   | DZ93259190041X     |
| 名称         | 空滤器滤芯              |
| Part Name  | Air filter element |
| Size(mm)   | 550×ø330           |
| Weight(kg) | 5.5                |



|            |                    |
|------------|--------------------|
| Part No.   | DZ93259190221X     |
| 名称         | 空滤芯                |
| Part Name  | Air filter element |
| Size(mm)   | 630×330×330        |
| Weight(kg) | 5.6                |



|            |                        |
|------------|------------------------|
| Part No.   | DZ13241440032          |
| 名称         | 无信号开关锁止                |
| Part Name  | Non-signal switch lock |
| Size(mm)   | 250×175×65             |
| Weight(kg) | 2.45                   |



|            |                      |
|------------|----------------------|
| Part No.   | DZ13241440090        |
| 名称         | 无接头驾驶室锁止             |
| Part Name  | Non-joint cabin lock |
| Size(mm)   | 180×150×40           |
| Weight(kg) | 2.24                 |



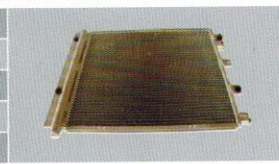
|            |               |
|------------|---------------|
| Part No.   | DZ13241440085 |
| 名称         | 驾驶室锁          |
| Part Name  | Cab lock      |
| Size(mm)   | 180×150×40    |
| Weight(kg) | 2.25          |



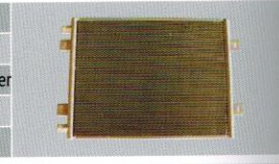
|            |                  |
|------------|------------------|
| Part No.   | DZ13241845013    |
| 名称         | 压缩机/杰克赛尔         |
| Part Name  | Compressor/Zexel |
| Size(mm)   | 240×125×125      |
| Weight(kg) | 6.9              |



|            |               |
|------------|---------------|
| Part No.   | DZ15221845033 |
| 名称         | 冷凝器           |
| Part Name  | Condenser     |
| Size(mm)   | 670×450×35    |
| Weight(kg) | 2.55          |



|            |                               |
|------------|-------------------------------|
| Part No.   | DZ13241824330                 |
| 名称         | F3000前置冷凝器                    |
| Part Name  | F3000 front-mounted condenser |
| Size(mm)   | 680×440×30                    |
| Weight(kg) | 2.5                           |



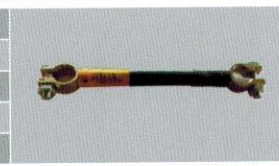
|            |               |
|------------|---------------|
| Part No.   | DZ93189776061 |
| 名称         | 驾驶室锁止信号开关电线束  |
| Part Name  | Wire harness  |
| Size(mm)   | 1000×ø30      |
| Weight(kg) | 0.05          |



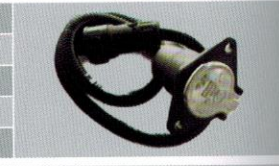
|            |                   |
|------------|-------------------|
| Part No.   | 179000570085      |
| 名称         | 停油缸               |
| Part Name  | Stopping cylinder |
| Size(mm)   | 267×ø25           |
| Weight(kg) | 0.25              |



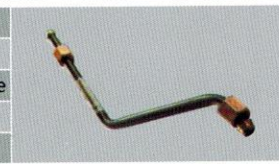
|            |                         |
|------------|-------------------------|
| Part No.   | 81.25417.6708           |
| 名称         | 蓄电池连接线                  |
| Part Name  | Battery connecting wire |
| Size(mm)   | 195×35×15               |
| Weight(kg) | 0.2                     |



|            |               |
|------------|---------------|
| Part No.   | 81.25432.6121 |
| 名称         | 插座            |
| Part Name  | Socket        |
| Size(mm)   | 830×165×75    |
| Weight(kg) | 0.2           |



|            |                         |
|------------|-------------------------|
| Part No.   | SZ903000738             |
| 名称         | 空气干燥器软管                 |
| Part Name  | Battery connecting hose |
| Size(mm)   | 480×240×31              |
| Weight(kg) | 0.4                     |



|            |               |
|------------|---------------|
| Part No.   | SZ905000742   |
| 名称         | 膜片弹簧制动气室      |
| Part Name  | Brake chamber |
| Size(mm)   | Φ250×570      |
| Weight(kg) | 12.2          |



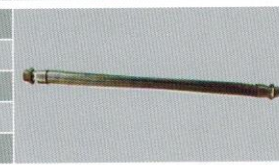
|            |                   |
|------------|-------------------|
| Part No.   | DZ96189360003     |
| 名称         | 空气处理单元            |
| Part Name  | Air handling unit |
| Size(mm)   | 300×260×210       |
| Weight(kg) | 5.75              |



|            |             |
|------------|-------------|
| Part No.   | SZ144000756 |
| 名称         | 驾驶室锁止       |
| Part Name  | Cab lock    |
| Size(mm)   | 235×165×45  |
| Weight(kg) | 3           |



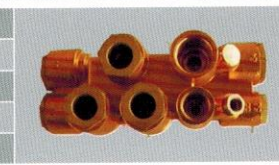
|            |                      |
|------------|----------------------|
| Part No.   | DZ93189360008        |
| 名称         | 不锈钢金属软管              |
| Part Name  | Stainless steel hose |
| Size(mm)   | 605×27×31            |
| Weight(kg) | 0.45                 |



|            |                      |
|------------|----------------------|
| Part No.   | DZ93189360007        |
| 名称         | 不锈钢金属软管              |
| Part Name  | Stainless steel hose |
| Size(mm)   | 400×30×34            |
| Weight(kg) | 0.5                  |



|            |                            |
|------------|----------------------------|
| Part No.   | DZ95189362002              |
| 名称         | 多回路分气接头                    |
| Part Name  | Multi gas separation joint |
| Size(mm)   | 150×56×52                  |
| Weight(kg) | 0.545                      |



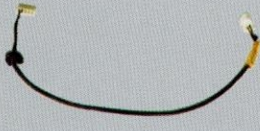
|            |                |
|------------|----------------|
| Part No.   | DZ91259540016  |
| 名称         | 密封垫            |
| Part Name  | Sealing washer |
| Size(mm)   | 142×127×1.5    |
| Weight(kg) | 0.2            |



|            |                       |
|------------|-----------------------|
| Part No.   | DZ9100770032          |
| 名称         | ABS螺旋形柔性电缆            |
| Part Name  | Spiral flexible cable |
| Size(mm)   | 380×220×110           |
| Weight(kg) | 1.75                  |



|            |                               |
|------------|-------------------------------|
| Part No.   | DZ9100770073                  |
| 名称         | 倒车蜂鸣器电线束                      |
| Part Name  | Reversing buzzer wire harness |
| Size(mm)   | 760×30×10                     |
| Weight(kg) | 0.05                          |



|            |                                |
|------------|--------------------------------|
| Part No.   | DZ9100776640                   |
| 名称         | 差速锁电线束                         |
| Part Name  | Differential lock wire harness |
| Size(mm)   | 300×300×5                      |
| Weight(kg) | 0.4                            |



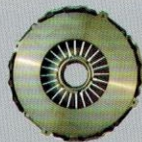
|            |                     |
|------------|---------------------|
| Part No.   | SZ952000773         |
| 名称         | 六角头螺栓               |
| Part Name  | Hexagon headed bolt |
| Size(mm)   | 255×30×30           |
| Weight(kg) | 0.35                |



|            |                    |
|------------|--------------------|
| Part No.   | SZ952000867        |
| 名称         | 六角凸缘螺母             |
| Part Name  | Hexagon flange nut |
| Size(mm)   | Φ32×18             |
| Weight(kg) | 0.01               |



|            |              |
|------------|--------------|
| Part No.   | DZ9114160034 |
| 名称         | 离合器盖         |
| Part Name  | Clutch cover |
| Size(mm)   | Φ490×105     |
| Weight(kg) | 38.5         |



|            |              |
|------------|--------------|
| Part No.   | AZ9100360310 |
| 名称         | 单向阀          |
| Part Name  | Check valve  |
| Size(mm)   | 70×35×35     |
| Weight(kg) | 0.1          |



|            |                     |
|------------|---------------------|
| Part No.   | 06.02202.1013       |
| 名称         | 六角有肩螺栓              |
| Part Name  | Hexagon headed bolt |
| Size(mm)   | Φ34.4×91            |
| Weight(kg) | 0.2469              |



|            |              |
|------------|--------------|
| Part No.   | AZ9100368471 |
| 名称         | 空气干燥器        |
| Part Name  | Air dryer    |
| Size(mm)   | 280×220×180  |
| Weight(kg) | 3.9          |



|            |               |
|------------|---------------|
| Part No.   | 81.52101.6275 |
| 名称         | 消音器           |
| Part Name  | Silencer      |
| Size(mm)   | ø70×55        |
| Weight(kg) | 0.1           |



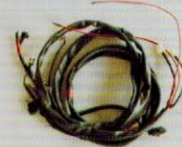
|            |               |
|------------|---------------|
| Part No.   | AZ9100369009  |
| 名称         | 挂车接头          |
| Part Name  | Trailer joint |
| Size(mm)   | 115×80×61     |
| Weight(kg) | 0.25          |



|            |              |
|------------|--------------|
| Part No.   | DZ9214360500 |
| 名称         | 空气干燥器(带四回路)  |
| Part Name  | Air dryer    |
| Size(mm)   | 350×310×220  |
| Weight(kg) | 6.35         |



|            |                |
|------------|----------------|
| Part No.   | DZ9100774012   |
| 名称         | 发动机线束          |
| Part Name  | Engine harness |
| Size(mm)   | 340×340×60     |
| Weight(kg) | 1.8            |



|            |                      |
|------------|----------------------|
| Part No.   | DZ9100776001         |
| 名称         | 起动机电线束               |
| Part Name  | Starter wire harness |
| Size(mm)   | 300×300×50           |
| Weight(kg) | 3.65                 |



|            |                     |
|------------|---------------------|
| Part No.   | SZ952000771         |
| 名称         | 六角头螺栓               |
| Part Name  | Hexagon headed bolt |
| Size(mm)   | Φ30×102             |
| Weight(kg) | 0.3                 |



|            |              |
|------------|--------------|
| Part No.   | DZ9114160026 |
| 名称         | 离合器盖         |
| Part Name  | Clutch cover |
| Size(mm)   | Φ490×85      |
| Weight(kg) | 46.1         |



|            |                |
|------------|----------------|
| Part No.   | 81.52120.6069  |
| 名称         | 匹配阀            |
| Part Name  | Matching valve |
| Size(mm)   | 110×105×105    |
| Weight(kg) | 0.65           |



|            |             |
|------------|-------------|
| Part No.   | SZ954001150 |
| 名称         | 消声器         |
| Part Name  | Muffler     |
| Size(mm)   | 610×370×430 |
| Weight(kg) | 30          |



|            |                     |
|------------|---------------------|
| Part No.   | 06.02839.0021       |
| 名称         | 六角头螺栓               |
| Part Name  | Hexagon headed bolt |
| Size(mm)   | Φ42×75              |
| Weight(kg) | 0.67                |



|            |               |
|------------|---------------|
| Part No.   | 81.52116.6070 |
| 名称         | 继动阀           |
| Part Name  | Relay valve   |
| Size(mm)   | 110×105×105   |
| Weight(kg) | 0.65          |



|            |               |
|------------|---------------|
| Part No.   | AZ9100369008  |
| 名称         | 挂车接头          |
| Part Name  | Trailer joint |
| Size(mm)   | 115×80×61     |
| Weight(kg) | 0.7           |



|            |                 |
|------------|-----------------|
| Part No.   | P395411010811-B |
| 名称         | 凸缘叉             |
| Part Name  | Flange fork     |
| Size(mm)   | 190×160×150     |
| Weight(kg) | 5.9             |



|            |                |
|------------|----------------|
| Part No.   | DZ92189366079  |
| 名称         | 直接头            |
| Part Name  | Straight joint |
| Size(mm)   | Φ24×69         |
| Weight(kg) | 0.05           |



|            |                                  |
|------------|----------------------------------|
| Part No.   | P1480A0470748                    |
| 名称         | 转向油泵滤芯                           |
| Part Name  | Steering oil pump filter element |
| Size(mm)   | ø80×79                           |
| Weight(kg) | 0.1                              |



|            |                  |
|------------|------------------|
| Part No.   | DZ9114160044     |
| 名称         | 分离轴承             |
| Part Name  | Separate bearing |
| Size(mm)   | Φ135×110         |
| Weight(kg) | 2.9              |



|            |                           |
|------------|---------------------------|
| Part No.   | 81.43715.6063             |
| 名称         | 横向稳定杆                     |
| Part Name  | Horizontal stabilizer bar |
| Size(mm)   | 1090×420×70               |
| Weight(kg) | 23                        |



|            |                    |
|------------|--------------------|
| Part No.   | DZ9114313100       |
| 名称         | 传动轴                |
| Part Name  | Transmission shaft |
| Size(mm)   | ø180×1000          |
| Weight(kg) | 52                 |



|            |              |
|------------|--------------|
| Part No.   | SZ954001159  |
| 名称         | 排气管          |
| Part Name  | Exhaust pipe |
| Size(mm)   | 450×150×150  |
| Weight(kg) | 2.5          |



|            |               |
|------------|---------------|
| Part No.   | DZ91189933016 |
| 名称         | 鞍座/约斯特        |
| Part Name  | Saddle/Jost   |
| Size(mm)   | 1340×850×220  |
| Weight(kg) | 115.8         |



|            |                    |
|------------|--------------------|
| Part No.   | DZ9114315184       |
| 名称         | 传动轴                |
| Part Name  | Transmission shaft |
| Size(mm)   | 1840×200×200       |
| Weight(kg) | 60                 |



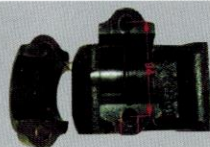
|            |               |
|------------|---------------|
| Part No.   | 81.41201.0042 |
| 名称         | 垫块            |
| Part Name  | Cushion block |
| Size(mm)   | 160×120×30    |
| Weight(kg) | 1.25          |



|            |                      |
|------------|----------------------|
| Part No.   | Dz9118532012         |
| 名称         | 中冷器进气不锈钢管            |
| Part Name  | Intercooler air pipe |
| Size(mm)   | 660×140×140          |
| Weight(kg) | 1.8                  |



|            |                    |
|------------|--------------------|
| Part No.   | 81.43722.6054      |
| 名称         | 右轴承座               |
| Part Name  | Right bearing seat |
| Size(mm)   | 170×120×140        |
| Weight(kg) | 3.3                |



|            |                   |
|------------|-------------------|
| Part No.   | 81.43722.6055     |
| 名称         | 左轴承座              |
| Part Name  | Left bearing seat |
| Size(mm)   | 170×120×140       |
| Weight(kg) | 3.3               |



|            |                    |
|------------|--------------------|
| Part No.   | DZ93259820031      |
| 名称         | 高压软管               |
| Part Name  | High-pressure hose |
| Size(mm)   | 360×60×16          |
| Weight(kg) | 0.15               |



|            |              |
|------------|--------------|
| Part No.   | 199100930096 |
| 名称         | 钢管           |
| Part Name  | Steel pipe   |
| Size(mm)   | 180×230×230  |
| Weight(kg) | 5            |



|            |                           |
|------------|---------------------------|
| Part No.   | DZ96189460555             |
| 名称         | 转向伸缩轴                     |
| Part Name  | Telescopic steering shaft |
| Size(mm)   | 1100×50×50                |
| Weight(kg) | 5                         |



|            |                            |
|------------|----------------------------|
| Part No.   | 81.46701.0243              |
| 名称         | 转向摇臂(左)                    |
| Part Name  | Steering rocker arm (left) |
| Size(mm)   | 365×80×60                  |
| Weight(kg) | 4.9                        |



|            |               |
|------------|---------------|
| Part No.   | 81.62440.0031 |
| 名称         | 黑色铰链          |
| Part Name  | Black hinge   |
| Size(mm)   | 135×165×65    |
| Weight(kg) | 0.4           |



|            |                           |
|------------|---------------------------|
| Part No.   | DZ96259535061             |
| 名称         | 散热器进水胶管                   |
| Part Name  | Radiator water inlet pipe |
| Size(mm)   | 270×140×60                |
| Weight(kg) | 0.45                      |



|            |               |
|------------|---------------|
| Part No.   | DZ13241824511 |
| 名称         | 管夹(-)         |
| Part Name  | Pipe clamp    |
| Size(mm)   | 60×40×20      |
| Weight(kg) | 0.5           |



|            |                     |
|------------|---------------------|
| Part No.   | DZ97259623052       |
| 名称         | 右下支架                |
| Part Name  | Right lower bracket |
| Size(mm)   | 265×130×80          |
| Weight(kg) | 1.15                |



|            |                      |
|------------|----------------------|
| Part No.   | SZ995000066          |
| 名称         | 右后挡泥板                |
| Part Name  | Right rear mud guard |
| Size(mm)   | 1400×595×800         |
| Weight(kg) | 9.35                 |



|            |                     |
|------------|---------------------|
| Part No.   | DZ91189313901       |
| 名称         | 万向节十字轴              |
| Part Name  | Universal joint Φ62 |
| Size(mm)   | 160×160×50          |
| Weight(kg) | 5                   |



|            |                               |
|------------|-------------------------------|
| Part No.   | DZ1640430010                  |
| 名称         | 前悬置左支座                        |
| Part Name  | Front suspension left support |
| Size(mm)   | 490×180×260                   |
| Weight(kg) | 8                             |



|            |                                |
|------------|--------------------------------|
| Part No.   | DZ1640430020                   |
| 名称         | 前悬置右支座                         |
| Part Name  | Front suspension right support |
| Size(mm)   | 490×180×260                    |
| Weight(kg) | 8                              |



|            |                                 |
|------------|---------------------------------|
| Part No.   | DZ9114470080                    |
| 名称         | 方向机                             |
| Part Name  | Circulating ball power steering |
| Size(mm)   | 450×300×300                     |
| Weight(kg) | 26                              |



|            |               |
|------------|---------------|
| Part No.   | DZ95189761010 |
| 名称         | 蓄电池箱体         |
| Part Name  | Battery case  |
| Size(mm)   | 670×515×350   |
| Weight(kg) | 11            |



|            |               |
|------------|---------------|
| Part No.   | DZ93189551121 |
| 名称         | 油量感应器         |
| Part Name  | Fuel sensor   |
| Size(mm)   | 562×100×85    |
| Weight(kg) | 1             |



|            |               |
|------------|---------------|
| Part No.   | DZ95259532213 |
| 名称         | 散热器           |
| Part Name  | Radiator      |
| Size(mm)   | 1300×825×175  |
| Weight(kg) | 44            |



|            |              |
|------------|--------------|
| Part No.   | DZ9112590312 |
| 名称         | 横梁           |
| Part Name  | Cross member |
| Size(mm)   | 650×130×90   |
| Weight(kg) | 45           |



|            |               |
|------------|---------------|
| Part No.   | DZ93259551121 |
| 名称         | 油量感应器         |
| Part Name  | Fuel sensor   |
| Size(mm)   | 760×100×100   |
| Weight(kg) | 1             |



|            |               |
|------------|---------------|
| Part No.   | DZ93189551021 |
| 名称         | 油量感应器         |
| Part Name  | Fuel sensor   |
| Size(mm)   | 550×90×67     |
| Weight(kg) | 0.6           |



|            |              |
|------------|--------------|
| Part No.   | DZ9114598695 |
| 名称         | 左托架          |
| Part Name  | Left support |
| Size(mm)   | 165×160×100  |
| Weight(kg) | 2.2          |



|            |                      |
|------------|----------------------|
| Part No.   | DZ91189554901        |
| 名称         | 油箱胶垫                 |
| Part Name  | Fuel tank rubber pad |
| Size(mm)   | 220×30×10            |
| Weight(kg) | 0.4                  |



|            |                         |
|------------|-------------------------|
| Part No.   | DZ93189932210           |
| 名称         | 桥保险杠支架                  |
| Part Name  | Main bumper fixing seat |
| Size(mm)   | 310×265×180             |
| Weight(kg) | 2.25                    |



|            |                             |
|------------|-----------------------------|
| Part No.   | DZ95259680100               |
| 名称         | 前桥减振器支架                     |
| Part Name  | Front axle absorber bracket |
| Size(mm)   | 160×60×60                   |
| Weight(kg) | 2                           |



|            |                             |
|------------|-----------------------------|
| Part No.   | DZ97259360007               |
| 名称         | 铝合金储气筒30L                   |
| Part Name  | Aluminum alloy air cylinder |
| Size(mm)   | 590×ø260                    |
| Weight(kg) | 4.95                        |



|            |                           |
|------------|---------------------------|
| Part No.   | SZ946000001               |
| 名称         | 转向伸缩轴                     |
| Part Name  | Telescopic steering shaft |
| Size(mm)   | 770×ø50                   |
| Weight(kg) | 5                         |



|            |                        |
|------------|------------------------|
| Part No.   | DZ9100930032           |
| 名称         | 保险杠内横梁                 |
| Part Name  | Front towing hook beam |
| Size(mm)   | 895×130×100            |
| Weight(kg) | 3.85                   |



|            |              |
|------------|--------------|
| Part No.   | DZ9114552790 |
| 名称         | 400L铝合金燃油箱   |
| Part Name  | Fuel tank    |
| Size(mm)   | 960×740×670  |
| Weight(kg) | 36           |



|            |               |
|------------|---------------|
| Part No.   | DZ9114598696  |
| 名称         | 右托架           |
| Part Name  | Right bracket |
| Size(mm)   | 165×160×100   |
| Weight(kg) | 2.2           |



|            |               |
|------------|---------------|
| Part No.   | DZ95259522660 |
| 名称         | 气囊            |
| Part Name  | Air bag       |
| Size(mm)   | 430×250×250   |
| Weight(kg) | 5.3           |



|            |                              |
|------------|------------------------------|
| Part No.   | DZ97259623004                |
| 名称         | 保险杠左安装支架                     |
| Part Name  | Bumper left mounting bracket |
| Size(mm)   | 300×180×125                  |
| Weight(kg) | 3.15                         |



|            |                 |
|------------|-----------------|
| Part No.   | 199000540064    |
| 名称         | 紧固带             |
| Part Name  | Tightening belt |
| Size(mm)   | 790×30×30       |
| Weight(kg) | 0.3             |



|            |              |
|------------|--------------|
| Part No.   | DZ9100570210 |
| 名称         | 杠杆           |
| Part Name  | Lever        |
| Size(mm)   | 110×55×27    |
| Weight(kg) | 0.15         |



|            |                     |
|------------|---------------------|
| Part No.   | DZ91259520035       |
| 名称         | 平衡轴壳                |
| Part Name  | Balance shaft shell |
| Size(mm)   | 330×260×210         |
| Weight(kg) | 36.35               |



|            |                   |
|------------|-------------------|
| Part No.   | DZ9100130026      |
| 名称         | 转向油泵              |
| Part Name  | Steering oil pump |
| Size(mm)   | 190×120×110       |
| Weight(kg) | 4.9               |



|            |                         |
|------------|-------------------------|
| Part No.   | DZ9100940120            |
| 名称         | 右尾灯支架                   |
| Part Name  | Right taillight bracket |
| Size(mm)   | 200×200×80              |
| Weight(kg) | 1.5                     |



|            |                                      |
|------------|--------------------------------------|
| Part No.   | DZ9118521020                         |
| 名称         | 前簧左前支架                               |
| Part Name  | Front leaf spring left front bracket |
| Size(mm)   | 400×230×245                          |
| Weight(kg) | 12.9                                 |



|            |                 |
|------------|-----------------|
| Part No.   | PDZ910052900806 |
| 名称         | 第六片             |
| Part Name  | 6th piece       |
| Size(mm)   | 1050×90×150     |
| Weight(kg) | 11.7            |



|            |                |
|------------|----------------|
| Part No.   | DZ910052900808 |
| 名称         | 第八片            |
| Part Name  | 8th piece      |
| Size(mm)   | 1100×60×20     |
| Weight(kg) | 8.2            |



|            |                            |
|------------|----------------------------|
| Part No.   | DZ9100760025               |
| 名称         | 电瓶支架                       |
| Part Name  | Battery case bracket plate |
| Size(mm)   | 210×30×3                   |
| Weight(kg) | 0.15                       |



|            |               |
|------------|---------------|
| Part No.   | DZ9114590044  |
| 名称         | 右支架           |
| Part Name  | Right bracket |
| Size(mm)   | 185×170×60    |
| Weight(kg) | 1.5           |



|            |                          |
|------------|--------------------------|
| Part No.   | 16020430024              |
| 名称         | 前悬置固定支架                  |
| Part Name  | Front suspension bracket |
| Size(mm)   | 90×70×50                 |
| Weight(kg) | 2                        |



|            |                |
|------------|----------------|
| Part No.   | DZ91189553110  |
| 名称         | 300L铝合金燃油箱     |
| Part Name  | 300L Fuel tank |
| Size(mm)   | 680×710×650    |
| Weight(kg) | 27.6           |



|            |                   |
|------------|-------------------|
| Part No.   | DZ95189470084     |
| 名称         | 转向油罐              |
| Part Name  | Steering oil tank |
| Size(mm)   | 270×140×140       |
| Weight(kg) | 1.55              |



|            |                     |
|------------|---------------------|
| Part No.   | DZ93259470003       |
| 名称         | 转向摇臂                |
| Part Name  | Steering rocker arm |
| Size(mm)   | 360×95×50           |
| Weight(kg) | 4.65                |



|            |                        |
|------------|------------------------|
| Part No.   | DZ9100940110           |
| 名称         | 左尾灯支架                  |
| Part Name  | Left taillight bracket |
| Size(mm)   | 300×220×120            |
| Weight(kg) | 1.6                    |



|            |                          |
|------------|--------------------------|
| Part No.   | DZ9118430026             |
| 名称         | 转向直拉杆                    |
| Part Name  | Middle steering pull rod |
| Size(mm)   | 970×80×130               |
| Weight(kg) | 8.9                      |



|            |                |
|------------|----------------|
| Part No.   | DZ910052900805 |
| 名称         | 第五片            |
| Part Name  | 5th piece      |
| Size(mm)   | 1050×90×150    |
| Weight(kg) | 14.3           |



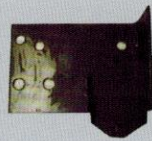
|            |                |
|------------|----------------|
| Part No.   | DZ910052900807 |
| 名称         | 第七片            |
| Part Name  | 7th piece      |
| Size(mm)   | 890×90×150     |
| Weight(kg) | 9.7            |



|            |                             |
|------------|-----------------------------|
| Part No.   | SZ97000079605               |
| 名称         | 前右钢板弹簧第五片                   |
| Part Name  | Right front 5th leaf spring |
| Size(mm)   | 1080×50×30                  |
| Weight(kg) | 14.7                        |



|            |              |
|------------|--------------|
| Part No.   | DZ9114590043 |
| 名称         | 左支架          |
| Part Name  | Left bracket |
| Size(mm)   | 185×170×60   |
| Weight(kg) | 1.5          |



|            |               |
|------------|---------------|
| Part No.   | DZ93259590070 |
| 名称         | 管状横梁          |
| Part Name  | Tubular beam  |
| Size(mm)   | 765×365×270   |
| Weight(kg) | 24            |



|            |                              |
|------------|------------------------------|
| Part No.   | 16020430025                  |
| 名称         | 前悬置固定螺栓                      |
| Part Name  | Front suspension fixing bolt |
| Size(mm)   | 110×30×30                    |
| Weight(kg) | 0.3                          |



|            |                          |
|------------|--------------------------|
| Part No.   | DZ91259550600            |
| 名称         | 600L铝合金燃油箱               |
| Part Name  | 600L Aluminium Fuel tank |
| Size(mm)   | 1600×750×750             |
| Weight(kg) | 37                       |



|            |               |
|------------|---------------|
| Part No.   | DZ91319523215 |
| 名称         | 平衡轴           |
| Part Name  | Balance shaft |
| Size(mm)   | 1250×650×450  |
| Weight(kg) | 134           |



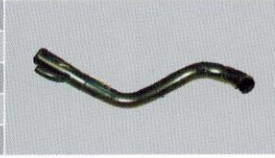
|            |                |
|------------|----------------|
| Part No.   | SZ943000004    |
| 名称         | 循环球式动力转向器      |
| Part Name  | Power steering |
| Size(mm)   | 380×300×250    |
| Weight(kg) | 41             |



|            |               |
|------------|---------------|
| Part No.   | DZ91259540176 |
| 名称         | 排气管           |
| Part Name  | Exhaust pipe  |
| Size(mm)   | 570×180×180   |
| Weight(kg) | 8.4           |



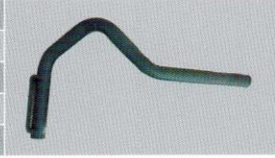
|            |                            |
|------------|----------------------------|
| Part No.   | DZ93259534104              |
| 名称         | 散热器出水管                     |
| Part Name  | Radiator water outlet pipe |
| Size(mm)   | 800×160×160                |
| Weight(kg) | 7.9                        |



|            |               |
|------------|---------------|
| Part No.   | DZ93189360210 |
| 名称         | 储气瓶           |
| Part Name  | Air reservoir |
| Size(mm)   | 580×270×270   |
| Weight(kg) | 12            |



|            |                     |
|------------|---------------------|
| Part No.   | DZ13241230530       |
| 名称         | 前桥挡泥板左上支架           |
| Part Name  | Left fender bracket |
| Size(mm)   | 700×300×70          |
| Weight(kg) | 5                   |



|            |                  |
|------------|------------------|
| Part No.   | DZ95259777042    |
| 名称         | ABS底盘电线束         |
| Part Name  | ABS wire harness |
| Size(mm)   | 580×480×140      |
| Weight(kg) | 9                |



|            |                               |
|------------|-------------------------------|
| Part No.   | DZ97189711310                 |
| 名称         | 气压信号开关                        |
| Part Name  | Air pressure signaling switch |
| Size(mm)   | 57×24×24                      |
| Weight(kg) | 0.069                         |



|            |               |
|------------|---------------|
| Part No.   | DZ91259531102 |
| 名称         | 中冷器           |
| Part Name  | Intercooler   |
| Size(mm)   | 1048×230×680  |
| Weight(kg) | 15.1          |



|            |               |
|------------|---------------|
| Part No.   | 81.43722.0061 |
| 名称         | 开口轴套          |
| Part Name  | Open bushing  |
| Size(mm)   | 95×70×70      |
| Weight(kg) | 1.45          |



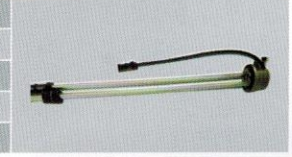
|            |               |
|------------|---------------|
| Part No.   | DZ91259540008 |
| 名称         | 消音器           |
| Part Name  | Muffler       |
| Size(mm)   | 592×412×630   |
| Weight(kg) | 18.35         |



|            |                       |
|------------|-----------------------|
| Part No.   | DZ91189160156         |
| 名称         | 离合器摩擦片                |
| Part Name  | Clutch friction plate |
| Size(mm)   | ø430×55               |
| Weight(kg) | 9                     |



|            |               |
|------------|---------------|
| Part No.   | DZ91259551131 |
| 名称         | 油量感应器         |
| Part Name  | Fuel sensor   |
| Size(mm)   | 650×95×64     |
| Weight(kg) | 0.75          |



|            |                |
|------------|----------------|
| Part No.   | DZ93259470085  |
| 名称         | 循环球式动力转向器      |
| Part Name  | Power steering |
| Size(mm)   | 380×250×310    |
| Weight(kg) | 43.5           |



|            |                         |
|------------|-------------------------|
| Part No.   | DZ9218530101            |
| 名称         | 增压中冷器                   |
| Part Name  | Supercharge intercooler |
| Size(mm)   | 1025×215×692            |
| Weight(kg) | 12.55                   |



|            |                  |
|------------|------------------|
| Part No.   | 199014520174     |
| 名称         | 上推力杆             |
| Part Name  | Upper thrust rod |
| Size(mm)   | 700×200×110      |
| Weight(kg) | 13.75            |



|            |                        |
|------------|------------------------|
| Part No.   | DZ95319470085          |
| 名称         | 转向油罐                   |
| Part Name  | Steering oil reservoir |
| Size(mm)   | 350×150×150            |
| Weight(kg) | 1.6                    |



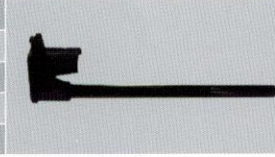
|            |               |
|------------|---------------|
| Part No.   | DZ95259591010 |
| 名称         | 变速器悬置横梁       |
| Part Name  | Cross member  |
| Size(mm)   | 635×70×80     |
| Weight(kg) | 3.9           |



|            |                     |
|------------|---------------------|
| Part No.   | DZ96259520462       |
| 名称         | 右后副簧限位支架            |
| Part Name  | Positioning bracket |
| Size(mm)   | 750×200×150         |
| Weight(kg) | 7                   |



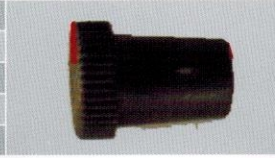
|            |                     |
|------------|---------------------|
| Part No.   | DZ96259520460       |
| 名称         | 左后副簧限位支架            |
| Part Name  | Positioning bracket |
| Size(mm)   | 750×200×150         |
| Weight(kg) | 7                   |



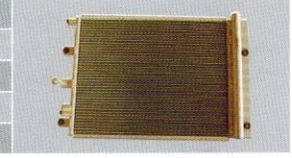
|            |                           |
|------------|---------------------------|
| Part No.   | 81.43407.0109             |
| 名称         | F3000板簧片间橡胶垫片             |
| Part Name  | Leaf spring rubber gasket |
| Size(mm)   | 110×84×20                 |
| Weight(kg) | 0.227                     |



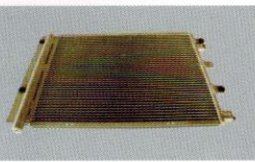
|            |                      |
|------------|----------------------|
| Part No.   | 199000520096         |
| 名称         | 油咀保护罩                |
| Part Name  | Nozzle protect cover |
| Size(mm)   | 12×11×11             |
| Weight(kg) | 0.003                |



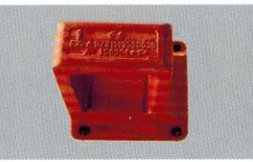
|            |                       |
|------------|-----------------------|
| Part No.   | DZ13241824370         |
| 名称         | 过冷式冷凝器                |
| Part Name  | Supercooled condenser |
| Size(mm)   | 750×450×30            |
| Weight(kg) | 2.8                   |



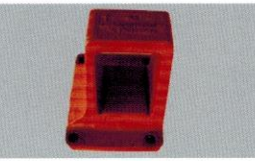
|            |               |
|------------|---------------|
| Part No.   | DZ15221845133 |
| 名称         | 冷凝器           |
| Part Name  | Condenser     |
| Size(mm)   | 750×450×30    |
| Weight(kg) | 2.65          |



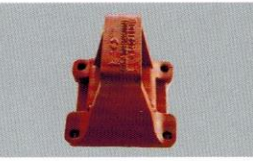
|            |                                |
|------------|--------------------------------|
| Part No.   | DZ91149520038                  |
| 名称         | 板簧左前支架                         |
| Part Name  | Leaf spring left front bracket |
| Size(mm)   | 230×196×215                    |
| Weight(kg) | 17                             |



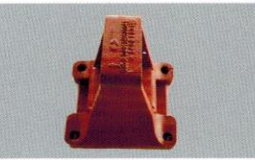
|            |                                 |
|------------|---------------------------------|
| Part No.   | DZ91149520039                   |
| 名称         | 板簧右前支架                          |
| Part Name  | Leaf spring right front bracket |
| Size(mm)   | 230×196×215                     |
| Weight(kg) | 17                              |



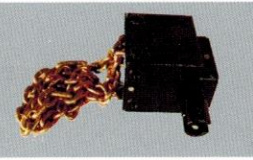
|            |  |
|------------|--|
| Part No.   | DZ91149520040                          |
| 名称         | 后板簧左后支架                                |
| Part Name  | Left rear bracket for rear leaf spring |
| Size(mm)   | 230×196×215                            |
| Weight(kg) | 17                                     |



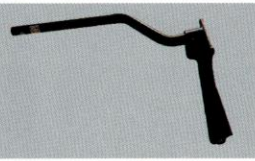
|            |                                    |
|------------|------------------------------------|
| Part No.   | DZ91149520041                      |
| 名称         | 后板簧右后支架                            |
| Part Name  | Right rear bracket for leaf spring |
| Size(mm)   | 230×196×215                        |
| Weight(kg) | 17                                 |



|            |                    |
|------------|--------------------|
| Part No.   | DZ9100862040       |
| 名称         | 备胎架本体              |
| Part Name  | Spare tire carrier |
| Size(mm)   | 170×120×95         |
| Weight(kg) | 4.6                |



|            |                              |
|------------|------------------------------|
| Part No.   | DZ13221440070                |
| 名称         | 后悬左支架                        |
| Part Name  | Rear suspension left bracket |
| Size(mm)   | 850×600×200                  |
| Weight(kg) | 7.95                         |



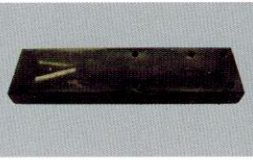
|            |                       |
|------------|-----------------------|
| Part No.   | 81.41335.0084         |
| 名称         | 弹簧夹紧板                 |
| Part Name  | Spring clamping plate |
| Size(mm)   | 180×92×45             |
| Weight(kg) | 2.1                   |



|            |               |
|------------|---------------|
| Part No.   | PDZ9112410013 |
| 名称         | 横拉杆臂          |
| Part Name  | Tie rod arm   |
| Size(mm)   | 330×50×60     |
| Weight(kg) | 3.6           |



|            |              |
|------------|--------------|
| Part No.   | DZ9114520259 |
| 名称         | 导向板          |
| Part Name  | Guide plate  |
| Size(mm)   | 388×100×35   |
| Weight(kg) | 10.35        |



|            |                     |
|------------|---------------------|
| Part No.   | P26013314030-80     |
| 名称         | φ80吊架总成             |
| Part Name  | Q80 hanging bracket |
| Size(mm)   | 295×205×85          |
| Weight(kg) | 5.75                |



|            |                                    |
|------------|------------------------------------|
| Part No.   | DZ95259538076                      |
| 名称         | 散热器保护栅左固定支架                        |
| Part Name  | Protect grille left fixing bracket |
| Size(mm)   | 200×148×81                         |
| Weight(kg) | 0.95                               |



|            |                                     |
|------------|-------------------------------------|
| Part No.   | DZ95259538077                       |
| 名称         | 散热器保护栅右固定支架                         |
| Part Name  | Protect grille right fixing bracket |
| Size(mm)   | 200×148×81                          |
| Weight(kg) | 0.95                                |



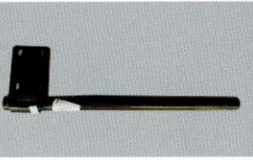
|            |                        |
|------------|------------------------|
| Part No.   | DZ9100360244           |
| 名称         | 电磁阀支架(左)               |
| Part Name  | Solenoid valve bracket |
| Size(mm)   | 110×90×74              |
| Weight(kg) | 0.4                    |



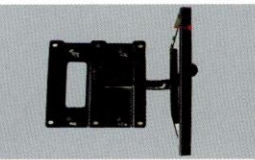
|            |              |
|------------|--------------|
| Part No.   | DZ9114540061 |
| 名称         | 卡箍           |
| Part Name  | Clamp        |
| Size(mm)   | 387×165×34   |
| Weight(kg) | 0.9          |



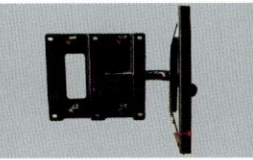
|            |                   |
|------------|-------------------|
| Part No.   | DZ96259950065     |
| 名称         | 左后支架              |
| Part Name  | Left rear bracket |
| Size(mm)   | 670×200×90        |
| Weight(kg) | 4.8               |



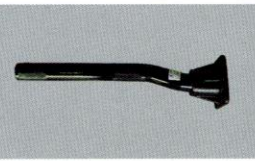
|            |                       |
|------------|-----------------------|
| Part No.   | DZ15221242635         |
| 名称         | 支撑托架(左)               |
| Part Name  | Support bracket(left) |
| Size(mm)   | 385×260×255           |
| Weight(kg) | 3.8                   |



|            |                        |
|------------|------------------------|
| Part No.   | DZ15221242645          |
| 名称         | 支撑托架(右)                |
| Part Name  | Support bracket(right) |
| Size(mm)   | 385×260×255            |
| Weight(kg) | 3.8                    |



|            |                |
|------------|----------------|
| Part No.   | DZ95189957010  |
| 名称         | 挡泥板支架          |
| Part Name  | Fender bracket |
| Size(mm)   | 635×133×110    |
| Weight(kg) | 5.6            |



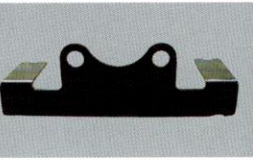
|            |                    |
|------------|--------------------|
| Part No.   | DZ96259950064      |
| 名称         | 左前支架               |
| Part Name  | Left front bracket |
| Size(mm)   | 670×200×90         |
| Weight(kg) | 4.8                |



|            |                       |
|------------|-----------------------|
| Part No.   | DZ15221440003         |
| 名称         | 左减震器支架                |
| Part Name  | Left absorber bracket |
| Size(mm)   | 800×540×200           |
| Weight(kg) | 9.1                   |

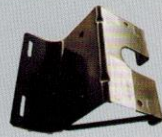


|            |                      |
|------------|----------------------|
| Part No.   | DZ9318977201         |
| 名称         | 线束固定支架               |
| Part Name  | Wire harness bracket |
| Size(mm)   | 220×70×75            |
| Weight(kg) | 0.2                  |



|            |                              |   |            |                            |   |
|------------|------------------------------|---|------------|----------------------------|---|
| Part No.   | AZ9114520188                 |    | Part No.   | DZ15221440295              |    |
| 名称         | 轴承压块                         |   | 名称         | 连接板                        |   |
| Part Name  | Bearing pressing block       |   | Part Name  | Connecting plate           |   |
| Size(mm)   | ø129×20                      |   | Size(mm)   | 220×95×8                   |   |
| Weight(kg) | 1.7                          |   | Weight(kg) | 0.8                        |   |
| Part No.   | DZ9114552730                 |    | Part No.   | DZ91189553810              |    |
| 名称         | 油箱紧固带                        |   | 名称         | 紧固带                        |   |
| Part Name  | Fuel tank fixing belt        |   | Part Name  | Tightening belt            |   |
| Size(mm)   | 1400×40×20                   |   | Size(mm)   | 1420×40×20                 |   |
| Weight(kg) | 1.2                          |   | Weight(kg) | 0.95                       |   |
| Part No.   | DZ95259201001                |    | Part No.   | DZ96319540328              |    |
| 名称         | 支架                           |   | 名称         | 托架                         |   |
| Part Name  | Bracket                      |   | Part Name  | Holding bracket            |   |
| Size(mm)   | 90×28×90                     |   | Size(mm)   | 193×180×25                 |   |
| Weight(kg) | 0.054                        |   | Weight(kg) | 0.55                       |   |
| Part No.   | DZ95189942030                |    | Part No.   | SZ984000707                |    |
| 名称         | 压板                           |   | 名称         | 牵引销左支座                     |   |
| Part Name  | Pressing plate               |   | Part Name  | Traction pin left support  |   |
| Size(mm)   | 150×114×26                   |   | Size(mm)   | 210×195×70                 |   |
| Weight(kg) | 0.4                          |   | Weight(kg) | 3.7                        |   |
| Part No.   | DZ95189942010                |  | Part No.   | DZ9100520028               |  |
| 名称         | 左尾灯支架                        |   | 名称         | 弹簧压板                       |   |
| Part Name  | Left taillight bracket       |   | Part Name  | Spring pressing plate      |   |
| Size(mm)   | 300×275×95                   |   | Size(mm)   | 230×102×30                 |   |
| Weight(kg) | 1.55                         |   | Weight(kg) | 2.8                        |   |
| Part No.   | SZ965000737                  |  | Part No.   | DZ95259240126              |  |
| 名称         | 稳定杆支撑板                       |   | 名称         | 换挡杆支架                      |   |
| Part Name  | Stabilizer bar support plate |   | Part Name  | Shift lever bracket        |   |
| Size(mm)   | 424×50×65                    |   | Size(mm)   | 337×195×145                |   |
| Weight(kg) | 2.45                         |   | Weight(kg) | 4.1                        |   |
| Part No.   | DZ13221440030                |  | Part No.   | DZ95259590077              |  |
| 名称         | 后悬支架                         |   | 名称         | 左前减振垫                      |   |
| Part Name  | Rear suspension bracket      |   | Part Name  | Left front damping cushion |   |
| Size(mm)   | 490×180×85                   |   | Size(mm)   | 188×148×123                |   |
| Weight(kg) | 5.25                         |   | Weight(kg) | 7.45                       |   |
| Part No.   | DZ95189526094                |  | Part No.   | DZ1640230210               |  |
| 名称         | 副簧限位支架                       |   | 名称         | 左前支架                       |   |
| Part Name  | Position limiter             |   | Part Name  | Left front bracket         |   |
| Size(mm)   | 145×133×132                  |   | Size(mm)   | 590×80×100                 |   |
| Weight(kg) | 6.6                          |   | Weight(kg) | 1.95                       |   |
| Part No.   | DZ9100940210                 |  | Part No.   | DZ9100940220               |  |
| 名称         | MAN底盘左尾灯支架                   |   | 名称         | MAN底盘右尾灯支架                 |   |
| Part Name  | Left rear light bracket      |   | Part Name  | Right rear light bracket   |   |
| Size(mm)   | 630×185×180                  |   | Size(mm)   | 575×150×100                |   |
| Weight(kg) | 3.45                         |   | Weight(kg) | 3.3                        |   |
| Part No.   | DZ95259240025                |  | Part No.   | DZ96259622255              |  |
| 名称         | 换挡拉杆                         |   | 名称         | 保险杠右上固定座                   |   |
| Part Name  | Shift lever                  |   | Part Name  | Bumper upper fixing seat   |   |
| Size(mm)   | 1420×55×400                  |   | Size(mm)   | 305×200×194                |   |
| Weight(kg) | 3.05                         |   | Weight(kg) | 2.85                       |   |
| Part No.   | DZ15221242720                |  | Part No.   | DZ95259538072              |  |
| 名称         | 安装支架(左)                      |   | 名称         | 右下支架                       |   |
| Part Name  | Mounting bracket(left)       |   | Part Name  | Right lower bracket        |   |
| Size(mm)   | 500×320×250                  |   | Size(mm)   | 265×138×60                 |   |
| Weight(kg) | 8                            |   | Weight(kg) | 0.85                       |   |

|            |                    |
|------------|--------------------|
| Part No.   | DZ95259538071      |
| 名称         | 左下支架               |
| Part Name  | Left lower bracket |
| Size(mm)   | 265×138×60         |
| Weight(kg) | 0.85               |



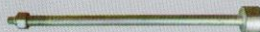
|            |                    |
|------------|--------------------|
| Part No.   | DZ95259538071      |
| 名称         | 左下支架               |
| Part Name  | Left lower bracket |
| Size(mm)   | 265×138×60         |
| Weight(kg) | 0.9                |



|            |                            |
|------------|----------------------------|
| Part No.   | DZ95259534125              |
| 名称         | 中冷器进气管                     |
| Part Name  | Intercooler air inlet pipe |
| Size(mm)   | 1210×220×305               |
| Weight(kg) | 3.1                        |



|            |                       |
|------------|-----------------------|
| Part No.   | DZ9114520240ZXS       |
| 名称         | 中心螺栓带螺母               |
| Part Name  | Central bolt with nut |
| Size(mm)   | 340×37×37             |
| Weight(kg) | 0.65                  |



|            |                           |
|------------|---------------------------|
| Part No.   | DZ96189460515             |
| 名称         | 转向伸缩轴                     |
| Part Name  | Telescopic steering shaft |
| Size(mm)   | 670×50×78                 |
| Weight(kg) | 4                         |



|            |               |
|------------|---------------|
| Part No.   | Q150B0816     |
| 名称         | 小六角头导颈螺栓      |
| Part Name  | Hex head bolt |
| Size(mm)   | 22×14×14      |
| Weight(kg) | 0.02          |



|            |                       |
|------------|-----------------------|
| Part No.   | DZ91189360049         |
| 名称         | 滤油型空气干燥器              |
| Part Name  | Oil-filting air dryer |
| Size(mm)   | 280×210×175           |
| Weight(kg) | 4.05                  |



|            |                   |
|------------|-------------------|
| Part No.   | DZ93319470012     |
| 名称         | 聚氨酯软管             |
| Part Name  | Polyurethane hose |
| Size(mm)   | 560×60×30         |
| Weight(kg) | 0.6               |



|            |                  |
|------------|------------------|
| Part No.   | 199100240090     |
| 名称         | 球铰接头(右)          |
| Part Name  | Ball hinge joint |
| Size(mm)   | 70×25×50         |
| Weight(kg) | 0.13             |



|            |                    |
|------------|--------------------|
| Part No.   | DZ93259820043      |
| 名称         | 高压软管               |
| Part Name  | High-pressure hose |
| Size(mm)   | 400×30×12          |
| Weight(kg) | 0.15               |



|            |              |
|------------|--------------|
| Part No.   | Q1811470TF3  |
| 名称         | 六角头螺栓        |
| Part Name  | Hexagon bolt |
| Size(mm)   | 84×ø28       |
| Weight(kg) | 0.3          |



|            |                         |
|------------|-------------------------|
| Part No.   | DZ95189942020           |
| 名称         | 右尾灯支架                   |
| Part Name  | Right taillight bracket |
| Size(mm)   | 185×178×127             |
| Weight(kg) | 1.35                    |



|            |                     |
|------------|---------------------|
| Part No.   | DZ95259360106       |
| 名称         | 驻车继动阀               |
| Part Name  | Parking relay valve |
| Size(mm)   | 150×120×72          |
| Weight(kg) | 0.75                |



|            |                            |
|------------|----------------------------|
| Part No.   | DZ96259534014              |
| 名称         | 中冷器进气管                     |
| Part Name  | Intercooler air inlet pipe |
| Size(mm)   | 1200×245×110               |
| Weight(kg) | 3.65                       |



|            |                      |
|------------|----------------------|
| Part No.   | DZ96189460514        |
| 名称         | 管柱总成                 |
| Part Name  | Pipe string assembly |
| Size(mm)   | 470×170×150          |
| Weight(kg) | 4.1                  |



|            |                     |
|------------|---------------------|
| Part No.   | DZ93189160202       |
| 名称         | 离合器从动盘              |
| Part Name  | Clutch driven plate |
| Size(mm)   | ø430×75             |
| Weight(kg) | 9.8                 |



|            |                            |
|------------|----------------------------|
| Part No.   | DZ9112531404               |
| 名称         | 中冷器进气管                     |
| Part Name  | Intercooler air inlet pipe |
| Size(mm)   | 340×140×160                |
| Weight(kg) | 1.05                       |



|            |                       |
|------------|-----------------------|
| Part No.   | DZ95189774060         |
| 名称         | 行驶记录仪电缆线              |
| Part Name  | Odometer wire harness |
| Size(mm)   | 300×230×65            |
| Weight(kg) | 0.4                   |



|            |                             |
|------------|-----------------------------|
| Part No.   | DZ96259240527               |
| 名称         | E型转换机构                      |
| Part Name  | Type E conversion mechanism |
| Size(mm)   | 125×105×55                  |
| Weight(kg) | 0.95                        |



|            |             |
|------------|-------------|
| Part No.   | SZ954001275 |
| 名称         | 卡箍波纹管       |
| Part Name  | Bellows     |
| Size(mm)   | 510×150×150 |
| Weight(kg) | 3.8         |



|            |                    |
|------------|--------------------|
| Part No.   | DZ93259820035      |
| 名称         | 高压软管               |
| Part Name  | High-pressure hose |
| Size(mm)   | 410×410×35         |
| Weight(kg) | 0.6                |



|            |   |
|------------|---|
| Part No.   | Q1811660TF2   |
| 名称         | 六角法兰面承面带齿螺栓   |
| Part Name  | Toothed bolt with hexagon flange face---fine thread |
| Size(mm)   | 70×ø16  |
| Weight(kg) | 0.05  |



|            |                           |   |            |                          |   |
|------------|---------------------------|---|------------|--------------------------|---|
| Part No.   | DZ93259240503             |    | Part No.   | DZ95259534407            |    |
| 名称         | 连接杆                       |   | 名称         | WP10下水管                  |   |
| Part Name  | Connecting rod            |   | Part Name  | WP10 engine drain pipe   |   |
| Size(mm)   | 500×210×52                |   | Size(mm)   | 470×200×70               |   |
| Weight(kg) | 0.4                       |   | Weight(kg) | 1.2                      |   |
| Part No.   | DZ93259820127             |    | Part No.   | DZ93259820123            |    |
| 名称         | 左高压软管                     |   | 名称         | 高压软管                     |   |
| Part Name  | Left high pressure hose   |   | Part Name  | High-pressure hose       |   |
| Size(mm)   | 485×200×19                |   | Size(mm)   | 620×20×20                |   |
| Weight(kg) | 0.2                       |   | Weight(kg) | 0.15                     |   |
| Part No.   | DZ9114320653              |    | Part No.   | DZ14251440020            |    |
| 名称         | 凸缘                        |   | 名称         | 空气弹簧                     |   |
| Part Name  | Flange                    |   | Part Name  | Air spring               |   |
| Size(mm)   | ∅180×65                   |   | Size(mm)   | 410×∅110                 |   |
| Weight(kg) | 3.7                       |   | Weight(kg) | 2.6                      |   |
| Part No.   | DZ15221870145             |    | Part No.   | DZ91189553820            |    |
| 名称         | 上支撑杆                      |   | 名称         | 油箱紧固带                    |   |
| Part Name  | Upper bracket rod         |   | Part Name  | Fuel tank fixing belt    |   |
| Size(mm)   | 378×70×35                 |   | Size(mm)   | 1420×40×20               |   |
| Weight(kg) | 1.5                       |   | Weight(kg) | 1.05                     |   |
| Part No.   | DZ91259550620             |   | Part No.   | DZ95259520435            |   |
| 名称         | 紧固带                       |   | 名称         | 导向板                      |   |
| Part Name  | Tightening belt           |   | Part Name  | Guide plate              |   |
| Size(mm)   | 1390×76×20                |   | Size(mm)   | 385×97×37                |   |
| Weight(kg) | 2.05                      |   | Weight(kg) | 10.35                    |   |
| Part No.   | DZ1640230220              |  | Part No.   | DZ13241240433            |  |
| 名称         | 右前支架                      |   | 名称         | 支撑板                      |   |
| Part Name  | Right front bracket       |   | Part Name  | Support plate            |   |
| Size(mm)   | 590×100×79                |   | Size(mm)   | 390×162×20               |   |
| Weight(kg) | 1.95                      |   | Weight(kg) | 1.5                      |   |
| Part No.   | DZ9114240212              |  | Part No.   | 81.92901.0066            |  |
| 名称         | 支撑板                       |   | 名称         | 螺母                       |   |
| Part Name  | Support plate             |   | Part Name  | Nut                      |   |
| Size(mm)   | 296×30×72                 |   | Size(mm)   | 75×70×25                 |   |
| Weight(kg) | 0.4                       |   | Weight(kg) | 0.35                     |   |
| Part No.   | DZ95259590085             |  | Part No.   | DZ95259591018            |  |
| 名称         | 发动机左前支架                   |   | 名称         | 右支架                      |   |
| Part Name  | Engine left front bracket |   | Part Name  | Right bracket            |   |
| Size(mm)   | 250×125×120               |   | Size(mm)   | 220×215×88               |   |
| Weight(kg) | 5.15                      |   | Weight(kg) | 3.15                     |   |
| Part No.   | DZ95259591017             |  | Part No.   | DZ91259525274            |  |
| 名称         | 左支架                       |   | 名称         | 上推力杆                     |   |
| Part Name  | Left bracket              |   | Part Name  | Upper thrust rod         |   |
| Size(mm)   | 220×215×88                |   | Size(mm)   | 710×200×100              |   |
| Weight(kg) | 3.15                      |   | Weight(kg) | 20                       |   |
| Part No.   | DZ91259525275             |  | Part No.   | 190003439922             |  |
| 名称         | 下推力杆                      |   | 名称         | 蓄电池电线接头                  |   |
| Part Name  | Lower thrust bar          |   | Part Name  | Battery wire connection  |   |
| Size(mm)   | 760×200×100               |   | Size(mm)   | 48×44×21                 |   |
| Weight(kg) | 23                        |   | Weight(kg) | 0.1                      |   |
| Part No.   | 06.67760.0514             |  | Part No.   | 199112230017             |  |
| 名称         | 卡箍                        |   | 名称         | 离合器助力缸                   |   |
| Part Name  | Clamp                     |   | Part Name  | Clutch boosting cylinder |   |
| Size(mm)   | 185×155×20                |   | Size(mm)   | 287×83×83                |   |
| Weight(kg) | 0.1                       |   | Weight(kg) | 2.5                      |   |

|            |                                |   |            |                                |   |
|------------|--------------------------------|---|------------|--------------------------------|---|
| Part No.   | 161560110172                   |    | Part No.   | DZ9112230177                   |    |
| 名称         | 卡箍带                            |   | 名称         | 离合器助力缸                         |   |
| Part Name  | Clamp band                     |   | Part Name  | Clutch boosting cylinder       |   |
| Size(mm)   | 280×30×20                      |   | Size(mm)   | 310×100×100                    |   |
| Weight(kg) | 0.1                            |   | Weight(kg) | 2.5                            |   |
| Part No.   | 199014340042                   |    | Part No.   | 81.61243.0094                  |    |
| 名称         | 气室支架                           |   | 名称         | 角架                             |   |
| Part Name  | Air chamber support            |   | Part Name  | Angle bracket                  |   |
| Size(mm)   | 380×190×200                    |   | Size(mm)   | 175×45×45                      |   |
| Weight(kg) | 15                             |   | Weight(kg) | 0.01                           |   |
| Part No.   | 81.61243.0095                  |    | Part No.   | SZ923000700                    |    |
| 名称         | 角架                             |   | 名称         | 离合器泵                           |   |
| Part Name  | Angle bracket                  |   | Part Name  | Clutch cylinder                |   |
| Size(mm)   | 175×45×45                      |   | Size(mm)   | 190×110×60                     |   |
| Weight(kg) | 0.01                           |   | Weight(kg) | 1.2                            |   |
| Part No.   | DZ1640440210                   |    | Part No.   | DZ1640440215                   |    |
| 名称         | 左后悬置支架                         |   | 名称         | 右后悬置支架                         |   |
| Part Name  | Left rear suspension bracket   |   | Part Name  | Right rear suspension bracket  |   |
| Size(mm)   | 660×160×130                    |   | Size(mm)   | 660×160×130                    |   |
| Weight(kg) | 6                              |   | Weight(kg) | 6                              |   |
| Part No.   | 116100430129                   |   | Part No.   | 118800570074                   |   |
| 名称         | 翻转轴支承套                         |   | 名称         | 摩擦圆盘                           |   |
| Part Name  | Tilting shaft support sleeve   |   | Part Name  | Friction plate                 |   |
| Size(mm)   | 57.5×ø30                       |   | Size(mm)   | ø46×2                          |   |
| Weight(kg) | 0.109                          |   | Weight(kg) | 0.076                          |   |
| Part No.   | DZ95189774820                  |  | Part No.   | DZ13241824111                  |  |
| 名称         | 车速传感器底盘电缆                      |   | 名称         | 压缩机(多楔槽)                       |   |
| Part Name  | Chassis cable for speed sensor |   | Part Name  | Compressor(multi-wedge groove) |   |
| Size(mm)   | 4300×ø12                       |   | Size(mm)   | 235×125×135                    |   |
| Weight(kg) | 0.85                           |   | Weight(kg) | 6.15                           |   |
| Part No.   | DZ13241845013                  |  | Part No.   | DZ95189763020                  |  |
| 名称         | 压缩机/杰克赛尔                       |   | 名称         | 电磁式电源总开关                       |   |
| Part Name  | Compressor/Zexel               |   | Part Name  | Electromagnetic main switch    |   |
| Size(mm)   | 240×125×125                    |   | Size(mm)   | 145×125×70                     |   |
| Weight(kg) | 6.05                           |   | Weight(kg) | 1.05                           |   |
| Part No.   | ZJ20000015                     |  | Part No.   | DZ1500098058                   |  |
| 名称         | 增压器回气软管                        |   | 名称         | 70A 发电机                        |   |
| Part Name  | Turbocharger air return hose   |   | Part Name  | 70A Alternator                 |   |
| Size(mm)   | 670×90×40                      |   | Size(mm)   | 235×185×145                    |   |
| Weight(kg) | 0.5                            |   | Weight(kg) | 7.65                           |   |
| Part No.   | 81.25502.0014                  |  | Part No.   | PDZ9112330623                  |  |
| 名称         | 电源总开关钥匙                        |   | 名称         | 磁性螺塞                           |   |
| Part Name  | Power master switch key        |   | Part Name  | Magnetic plug                  |   |
| Size(mm)   | 60×50×10                       |   | Size(mm)   | ø39×14                         |   |
| Weight(kg) | 0.1                            |   | Weight(kg) | 0.08                           |   |
| Part No.   | DZ93259190332                  |  | Part No.   | DZ93259560482                  |  |
| 名称         | 备板                             |   | 名称         | 回气软管                           |   |
| Part Name  | Spare plate                    |   | Part Name  | Gas cylinder gas return hose   |   |
| Size(mm)   | 119×47×2                       |   | Size(mm)   | 600×ø30                        |   |
| Weight(kg) | 0.05                           |   | Weight(kg) | 0.4                            |   |
| Part No.   | DZ96259360060                  |  | Part No.   | DZ9100360458                   |  |
| 名称         | 管子15直通/干燥器1口                   |   | 名称         | H型三通接头体                        |   |
| Part Name  | Pipe                           |   | Part Name  | Type H T-junction              |   |
| Size(mm)   | 490×430×100                    |   | Size(mm)   | 42×41×21                       |   |
| Weight(kg) | 0.6                            |   | Weight(kg) | 0.1                            |   |

|            |                             |   |            |  |   |
|------------|-----------------------------|---|------------|--|---|
| Part No.   | DZ95259590151               |    | Part No.   | 81.96002.0070                          |    |
| 名称         | 左前减振垫                       |   | 名称         | 橡胶堵                                    |   |
| Part Name  | Left front damping cushion  |   | Part Name  | Rubber plug                            |   |
| Size(mm)   | 188×150×134                 |   | Size(mm)   | ø52×8                                  |   |
| Weight(kg) | 7.85                        |   | Weight(kg) | 0.109                                  |   |
| Part No.   | DZ13221440045               |    | Part No.   | DZ13221440035                          |    |
| 名称         | 右锁柱支架                       |   | 名称         | 左锁柱支架                                  |   |
| Part Name  | Right lock cylinder bracket |   | Part Name  | Left lock cylinder bracket             |   |
| Size(mm)   | 205×160×138                 |   | Size(mm)   | 205×160×138                            |   |
| Weight(kg) | 2.2                         |   | Weight(kg) | 2.2                                    |   |
| Part No.   | DZ91259520212               |    | Part No.   | DZ91259520211                          |    |
| 名称         | 壳盖(右)                       |   | 名称         | 壳盖(左)                                  |   |
| Part Name  | Shell cover (right)         |   | Part Name  | Shell cover (left)                     |   |
| Size(mm)   | 220×220×65                  |   | Size(mm)   | 220×220×65                             |   |
| Weight(kg) | 2.3                         |   | Weight(kg) | 2.3                                    |   |
| Part No.   | SQDZ6807700                 |   | Part No.   | DZ9112540180                           |   |
| 名称         | 阻尼器                         |   | 名称         | 挠性软管                                   |   |
| Part Name  | Damper                      |   | Part Name  | Flexible hose                          |   |
| Size(mm)   | 170×ø42                     |   | Size(mm)   | 265×147×147                            |   |
| Weight(kg) | 0.6                         |   | Weight(kg) | 3.5                                    |   |
| Part No.   | DZ9100580141                |  | Part No.   | DZ9100580142                           |  |
| 名称         | 气压传感器                       |   | 名称         | 车速传感器                                  |   |
| Part Name  | Air pressure sensor         |   | Part Name  | Speed sensor                           |   |
| Size(mm)   | 77×ø50                      |   | Size(mm)   | 75×ø45                                 |   |
| Weight(kg) | 0.167                       |   | Weight(kg) | 0.15                                   |   |
| Part No.   | DZ9100580160                |  | Part No.   | DZ9100360019                           |  |
| 名称         | 起动继电器                       |   | 名称         | TZ_气制动接头                               |   |
| Part Name  | Starter relay               |   | Part Name  | Air brake joint                        |   |
| Size(mm)   | 107×75×60                   |   | Size(mm)   | 62×60×95                               |   |
| Weight(kg) | 0.542                       |   | Weight(kg) | 0.267                                  |   |
| Part No.   | DZ9100580050                |  | Part No.   | DZ93259535003                          |  |
| 名称         | 电子倒车蜂鸣器                     |   | 名称         | 内氟外硅胶管                                 |   |
| Part Name  | Electronic reversing buzzer |   | Part Name  | Rubber hose                            |   |
| Size(mm)   | 68×48×65                    |   | Size(mm)   | 200×ø65                                |   |
| Weight(kg) | 0.125                       |   | Weight(kg) | 0.25                                   |   |
| Part No.   | DZ93259535504               |  | Part No.   | DZ93259535509                          |  |
| 名称         | 硅胶管                         |   | 名称         | 内氟外硅胶管                                 |   |
| Part Name  | Silicone tube               |   | Part Name  | Rubber hose                            |   |
| Size(mm)   | 180×ø70                     |   | Size(mm)   | 110×ø80                                |   |
| Weight(kg) | 0.22                        |   | Weight(kg) | 0.13                                   |   |
| Part No.   | DZ93259535331               |  | Part No.   | DZ93259820130                          |  |
| 名称         | 内氟外硅胶管                      |   | 名称         | 加强翻转油缸                                 |   |
| Part Name  | Rubber hose                 |   | Part Name  | Reinforced Tilting cylinder            |   |
| Size(mm)   | 135×ø90                     |   | Size(mm)   | 610×110×110                            |   |
| Weight(kg) | 0.26                        |   | Weight(kg) | 7                                      |   |
| Part No.   | DZ95259535210               |  | Part No.   | DZ95259190887                          |  |
| 名称         | 成型胶管                        |   | 名称         | 底座                                     |   |
| Part Name  | Rubber tube                 |   | Part Name  | Base                                   |   |
| Size(mm)   | 880×110×30                  |   | Size(mm)   | 500×410×420                            |   |
| Weight(kg) | 0.45                        |   | Weight(kg) | 1.55                                   |   |
| Part No.   | DZ95259190194               |  | Part No.   | 199100770010                           |  |
| 名称         | 进气胶管                        |   | 名称         | 电源总开关附加电线束                             |   |
| Part Name  | Air intake hose             |   | Part Name  | Power switch additional wiring harness |   |
| Size(mm)   | 430×340×210                 |   | Size(mm)   | 385×50×20                              |   |
| Weight(kg) | 2.25                        |   | Weight(kg) | 0.35                                   |   |

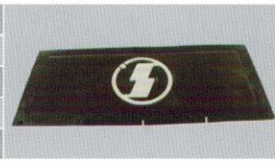
|            |               |
|------------|---------------|
| Part No.   | DZ93319190003 |
| 名称         | 底座            |
| Part Name  | Base          |
| Size(mm)   | 300×330×350   |
| Weight(kg) | 2.35          |



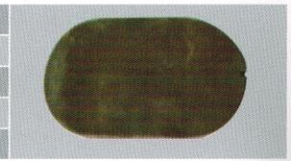
|            |               |
|------------|---------------|
| Part No.   | DZ93319190002 |
| 名称         | 波纹管           |
| Part Name  | Bellows       |
| Size(mm)   | 320×220×180   |
| Weight(kg) | 0.9           |



|            |               |
|------------|---------------|
| Part No.   | DZ93259955014 |
| 名称         | 挡泥帘           |
| Part Name  | Mud flap      |
| Size(mm)   | 640×260×5     |
| Weight(kg) | 0.9           |



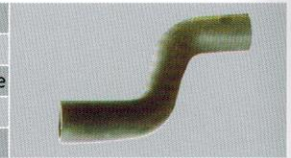
|            |                 |
|------------|-----------------|
| Part No.   | DZ95189620022   |
| 名称         | 托钩堵盖            |
| Part Name  | Towing hook cap |
| Size(mm)   | 110×68×8        |
| Weight(kg) | 0.026           |



|            |                   |
|------------|-------------------|
| Part No.   | DZ93259536050     |
| 名称         | 塑料护风罩             |
| Part Name  | Plastic fan cover |
| Size(mm)   | 755×785×100       |
| Weight(kg) | 1.6               |



|            |                          |
|------------|--------------------------|
| Part No.   | DZ93259535801            |
| 名称         | 发动机出水管                   |
| Part Name  | Engine water outlet pipe |
| Size(mm)   | 310×210×120              |
| Weight(kg) | 2.45                     |



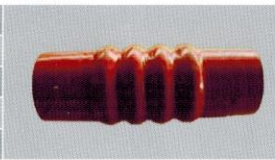
|            |               |
|------------|---------------|
| Part No.   | DZ93259535611 |
| 名称         | 胶管            |
| Part Name  | Rubber hose   |
| Size(mm)   | ∅80×40        |
| Weight(kg) | 0.05          |



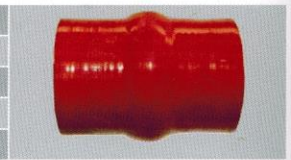
|            |               |
|------------|---------------|
| Part No.   | DZ93259190090 |
| 名称         | 空气软管          |
| Part Name  | Air hose      |
| Size(mm)   | 705×∅160      |
| Weight(kg) | 1.45          |



|            |               |
|------------|---------------|
| Part No.   | DZ93259535325 |
| 名称         | 内氟外硅胶管        |
| Part Name  | Rubber hose   |
| Size(mm)   | 200×∅70       |
| Weight(kg) | 0.28          |



|            |               |
|------------|---------------|
| Part No.   | DZ93259535321 |
| 名称         | 胶管            |
| Part Name  | Hose          |
| Size(mm)   | 100×∅70       |
| Weight(kg) | 0.127         |



|            |                       |
|------------|-----------------------|
| Part No.   | DZ95259535402         |
| 名称         | WP12上水胶管              |
| Part Name  | WP12 water inlet hose |
| Size(mm)   | 640×340×165           |
| Weight(kg) | 0.85                  |



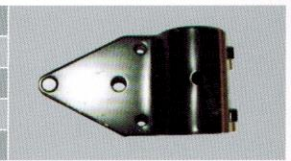
|            |               |
|------------|---------------|
| Part No.   | DZ93259190090 |
| 名称         | 空气软管          |
| Part Name  | Air hose      |
| Size(mm)   | 685×160×160   |
| Weight(kg) | 1.45          |



|            |                |
|------------|----------------|
| Part No.   | DZ93259190206  |
| 名称         | 成型进气管          |
| Part Name  | Air inlet tube |
| Size(mm)   | 730×250×120    |
| Weight(kg) | 1.3            |



|            |               |
|------------|---------------|
| Part No.   | 81.41701.0038 |
| 名称         | 空气悬挂阀卡箍       |
| Part Name  | Clamp         |
| Size(mm)   | 80×70×30      |
| Weight(kg) | 0.1           |



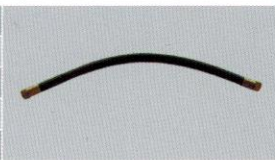
|            |               |
|------------|---------------|
| Part No.   | 81.62940.5011 |
| 名称         | 支架            |
| Part Name  | Bracket       |
| Size(mm)   | 110×97×30     |
| Weight(kg) | 0.268         |



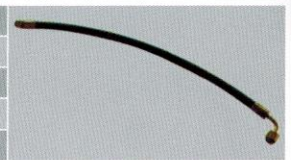
|            |               |
|------------|---------------|
| Part No.   | 81.19220.0684 |
| 名称         | 支架            |
| Part Name  | Bracket       |
| Size(mm)   | 280×33×55     |
| Weight(kg) | 0.242         |



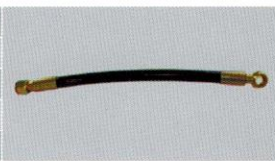
|            |                    |
|------------|--------------------|
| Part No.   | DZ9118470230       |
| 名称         | 高压软管               |
| Part Name  | High-pressure hose |
| Size(mm)   | 738×∅31            |
| Weight(kg) | 0.85               |



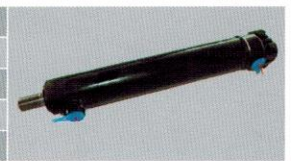
|            |                    |
|------------|--------------------|
| Part No.   | DZ9118861210       |
| 名称         | 高压软管               |
| Part Name  | High pressure hose |
| Size(mm)   | 650×48×20          |
| Weight(kg) | 0.3                |



|            |                   |
|------------|-------------------|
| Part No.   | DZ91189470003     |
| 名称         | 聚氨酯软管             |
| Part Name  | Polyurethane hose |
| Size(mm)   | 470×∅31           |
| Weight(kg) | 0.55              |



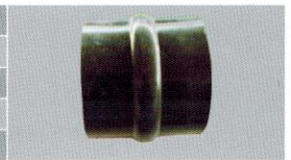
|            |                |
|------------|----------------|
| Part No.   | DZ9114470008   |
| 名称         | 动力缸(∅45)       |
| Part Name  | Power cylinder |
| Size(mm)   | 435×55×65      |
| Weight(kg) | 4.5            |



|            |               |
|------------|---------------|
| Part No.   | DZ91259535603 |
| 名称         | 胶管            |
| Part Name  | Rubber hose   |
| Size(mm)   | 151×∅112      |
| Weight(kg) | 0.34          |


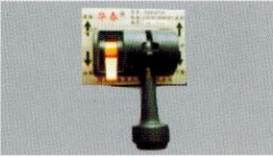

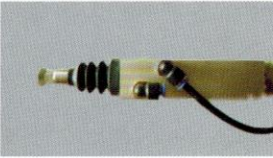

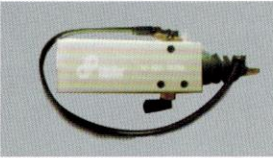


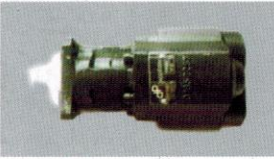

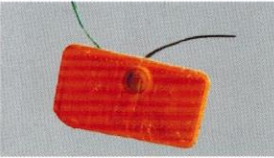
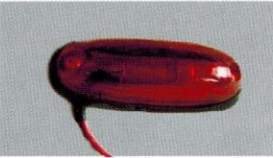

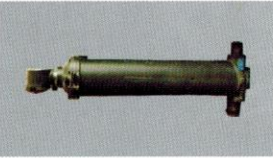



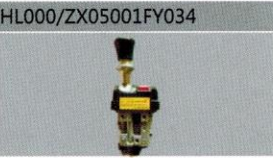




|            |                  |
|------------|------------------|
| Part No.   | DZ91259535602    |
| 名称         | EPDM胶管           |
| Part Name  | EPDM rubber hose |
| Size(mm)   | 100×∅114         |
| Weight(kg) | 0.2              |

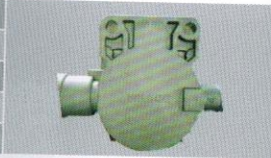


|            |                            |   |            |                               |   |
|------------|----------------------------|---|------------|-------------------------------|---|
| Part No.   | DZ91189552702              |    | Part No.   | DZ9114552701                  |    |
| 名称         | 护垫                         |   | 名称         | 护垫                            |   |
| Part Name  | Cushion pad                |   | Part Name  | Cushion pad                   |   |
| Size(mm)   | 1235×52×6.5                |   | Size(mm)   | 1180×50×6.5                   |   |
| Weight(kg) | 0.35                       |   | Weight(kg) | 0.4                           |   |
| Part No.   | DZ9112530410               |    | Part No.   | DZ91189553801                 |    |
| 名称         | 橡胶软管                       |   | 名称         | 油箱支架护垫                        |   |
| Part Name  | Rubber hose                |   | Part Name  | Fuel tank bracket protect pad |   |
| Size(mm)   | 2800×ø30                   |   | Size(mm)   | 550×120×8                     |   |
| Weight(kg) | 1.3                        |   | Weight(kg) | 0.35                          |   |
| Part No.   | DZ9112190600               |    | Part No.   | DZ9114470030                  |    |
| 名称         | 空滤器接管                      |   | 名称         | TZ 转向油罐                       |   |
| Part Name  | Air filter connecting pipe |   | Part Name  | Steering oil reservoir        |   |
| Size(mm)   | 550×250×225                |   | Size(mm)   | 335×136×138                   |   |
| Weight(kg) | 1.3                        |   | Weight(kg) | 2.05                          |   |
| Part No.   | DZ9112190026               |    | Part No.   | DZ9112190024                  |    |
| 名称         | 波纹管                        |   | 名称         | 波纹管                           |   |
| Part Name  | Bellows                    |   | Part Name  | Bellows                       |   |
| Size(mm)   | 285×ø170                   |   | Size(mm)   | 225×ø170                      |   |
| Weight(kg) | 1.4                        |   | Weight(kg) | 1.05                          |   |
| Part No.   | DZ91259535204              |   | Part No.   | 81.06245.0043                 |   |
| 名称         | 橡胶软管                       |   | 名称         | 摆动支撑                          |   |
| Part Name  | Rubber hose                |   | Part Name  | Swing bracket                 |   |
| Size(mm)   | 5000×ø15                   |   | Size(mm)   | 140×35×26                     |   |
| Weight(kg) | 0.8                        |   | Weight(kg) | 0.183                         |   |
| Part No.   | 81.31140.0018              |  | Part No.   | DZ9100470107                  |  |
| 名称         | 油管支架                       |   | 名称         | 高压软管                          |   |
| Part Name  | Oil tube bracket           |   | Part Name  | High pressure hose            |   |
| Size(mm)   | 265×40×55                  |   | Size(mm)   | 620×25×70                     |   |
| Weight(kg) | 0.101                      |   | Weight(kg) | 0.75                          |   |
| Part No.   | DZ9100360176               |  | Part No.   | DZ9100130011                  |  |
| 名称         | 软管                         |   | 名称         | 转向油泵                          |   |
| Part Name  | Hose                       |   | Part Name  | Steering oil pump             |   |
| Size(mm)   | 760×ø25                    |   | Size(mm)   | 180×129×120                   |   |
| Weight(kg) | 0.5                        |   | Weight(kg) | 4.9                           |   |
| Part No.   | DZ9100360159               |  | Part No.   | DZ9100360158                  |  |
| 名称         | 螺旋管(黄色)                    |   | 名称         | 螺旋管(红色)                       |   |
| Part Name  | Spiral pipe(yellow)        |   | Part Name  | Spiral pipe(red)              |   |
| Size(mm)   | 675×115×115                |   | Size(mm)   | 675×115×115                   |   |
| Weight(kg) | 0.55                       |   | Weight(kg) | 0.55                          |   |
| Part No.   | DZ9100360154               |  | Part No.   | DZ9100360153                  |  |
| 名称         | 螺旋管                        |   | 名称         | 螺旋管                           |   |
| Part Name  | Spiral pipe                |   | Part Name  | Spiral pipe                   |   |
| Size(mm)   | 880×90×90                  |   | Size(mm)   | 880×90×90                     |   |
| Weight(kg) | 0.7                        |   | Weight(kg) | 0.7                           |   |
| Part No.   | 81.43718.6021              |  | Part No.   | 81.08240.0215                 |  |
| 名称         | 支承板                        |   | 名称         | 扁管托架                          |   |
| Part Name  | Support plate              |   | Part Name  | Flat tube bracket             |   |
| Size(mm)   | 465×65×56                  |   | Size(mm)   | 430×45×42                     |   |
| Weight(kg) | 3.2                        |   | Weight(kg) | 0.366                         |   |
| Part No.   | 81.41506.5269              |  | Part No.   | 81.08203.0007                 |  |
| 名称         | 托架                         |   | 名称         | 后撑板                           |   |
| Part Name  | Support                    |   | Part Name  | Rear support plate            |   |
| Size(mm)   | 194×92×55                  |   | Size(mm)   | 290×210×45                    |   |
| Weight(kg) | 1.35                       |   | Weight(kg) | 0.45                          |   |

## 6. 上装部件 Special vehicle refitment parts

|            |   |   |            |  |   |
|------------|---|---|------------|--|---|
| Part No.   | ZX05001HV667  |    | Part No.   | ZX05001HL034/ZX05004HL034              |    |
| 名称         | 手控阀   |   | 名称         | 手控阀                                    |   |
| Part Name  | Manual valve  |   | Part Name  | Manual valve                           |   |
| Size(mm)   | 160×70×70   |   | Size(mm)   | 160×100×70                             |   |
| Weight(kg) | 0.4   |   | Weight(kg) | 0.45                                   |   |
| Part No.   | XZ05004ZJ037  |    | Part No.   | ZX05005HV023                           |    |
| 名称         | 自卸比例慢降气阀  |   | 名称         | 限位阀                                    |   |
| Part Name  | Manual valve  |   | Part Name  | Limit valve                            |   |
| Size(mm)   | 170×75×70   |   | Size(mm)   | 200×110×50                             |   |
| Weight(kg) | 0.4   |   | Weight(kg) | 0.8                                    |   |
| Part No.   | ZX05003FY022/ZX05004JT023/ZX05002ZJ043/ZX05012HL023                           |    | Part No.   | ZX05003DK000                           |    |
| 名称         | 限位阀   |   | 名称         | 限位阀                                    |   |
| Part Name  | Limit valve   |   | Part Name  | Limit valve                            |   |
| Size(mm)   | 220×90×40   |   | Size(mm)   | 220×90×40                              |   |
| Weight(kg) | 0.7   |   | Weight(kg) | 0.7                                    |   |
| Part No.   | ZX06001HV231/ZX06002HV234/ZX06003HV220/ZX06004HV232/ZX06005HV250/ZX06006HV251 |   | Part No.   | ZX05007HV322/ZX05003HV125/ZX05004HV463 |   |
| 名称         | 齿轮泵   |   | 名称         | 海沃分配阀                                  |   |
| Part Name  | Oil gear pump   |   | Part Name  | Distribution valve                     |   |
| Size(mm)   | 330*180*160   |   | Size(mm)   | 310×140×60                             |   |
| Weight(kg) | 16  |   | Weight(kg) | 6.5                                    |   |
| Part No.   | ZX06001DK000  |  | Part No.   | ZX06001HL000/ZX06002HL011/ZX06004HL010 |  |
| 名称         | 齿轮泵   |   | 名称         | 齿轮泵                                    |   |
| Part Name  | Oil gear pump   |   | Part Name  | Oil gear pump                          |   |
| Size(mm)   | 365×170×16  |   | Size(mm)   | 340×200×160                            |   |
| Weight(kg) | 19  |   | Weight(kg) | 19                                     |   |
| Part No.   | ZX09001HL000  |  | Part No.   | ZX09024JT000                           |  |
| 名称         | 侧标志灯  |   | 名称         | 示廓灯                                    |   |
| Part Name  | Side marker lamp  |   | Part Name  | Clearance Lamp                         |   |
| Size(mm)   | 120×65×50   |   | Size(mm)   | 115×45×40                              |   |
| Weight(kg) | 0.2   |   | Weight(kg) | 0.2                                    |   |
| Part No.   | ZX01002HV157/ZX01001HV196   |  | Part No.   | ZX01001HL198                           |  |
| 名称         | 海沃油缸  |   | 名称         | 油缸                                     |   |
| Part Name  | Oil cylinder  |   | Part Name  | Oil cylinder                           |   |
| Size(mm)   | 1500×45×55  |   | Size(mm)   | 500×250×1400                           |   |
| Weight(kg) | 230   |   | Weight(kg) | 160                                    |   |
| Part No.   | SS06004HL869  |  | Part No.   | YY06001HL030                           |  |
| 名称         | 自吸式离心洒水车泵   |   | 名称         | 圆弧齿轮油泵                                 |   |
| Part Name  | Water pump  |   | Part Name  | Oil pump                               |   |
| Size(mm)   | 480×266×410   |   | Size(mm)   | 368×210×285                            |   |
| Weight(kg) | 85  |   | Weight(kg) | 35                                     |   |
| Part No.   | YY06001TK060/YY06008HL060   |  | Part No.   | ZX05001DK034/ZX05010HL000/ZX05001FY034 |  |
| 名称         | 圆弧齿轮油泵  |   | 名称         | 手控阀                                    |   |
| Part Name  | Oil pump  |   | Part Name  | Manual valve                           |   |
| Size(mm)   | 460×300×420   |   | Size(mm)   | 175×75×70                              |   |
| Weight(kg) | 45  |   | Weight(kg) | 0.4                                    |   |
| Part No.   | ZX02001HV523/ZX02002HV532/ZX02002HV632  |  | Part No.   | MX10009HL518                           |  |
| 名称         | 油箱  |   | 名称         | 伊顿液压马达                                 |   |
| Part Name  | Hydraulic oil tank  |   | Part Name  | Eaton hydraulic motor                  |   |
| Size(mm)   | 480×266×410   |   | Size(mm)   | 450×250×250                            |   |
| Weight(kg) | 40  |   | Weight(kg) | 52                                     |   |

|            |              |
|------------|--------------|
| Part No.   | BG05001QT000 |
| 名称         | 继动阀          |
| Part Name  | Relay valve  |
| Size(mm)   | 400×150×170  |
| Weight(kg) | 2            |



|            |                 |
|------------|-----------------|
| Part No.   | BG09004QT000    |
| 名称         | 指示灯             |
| Part Name  | Indicator light |
| Size(mm)   | 130×50          |
| Weight(kg) | 0.3             |



|            |                |
|------------|----------------|
| Part No.   | MX09003LY000   |
| 名称         | 示廓灯            |
| Part Name  | Clearance Lamp |
| Size(mm)   | 480×266×410    |
| Weight(kg) | 85             |



|            |  |
|------------|--|
| Part No.   | SS05003HL080/SS05004HL065/SS05005HL050 |
| 名称         | 手动直柄球阀                                 |
| Part Name  | Spherical valve                        |
| Size(mm)   | 290×110×200                            |
| Weight(kg) | 3.1                                    |



|            |              |
|------------|--------------|
| Part No.   | ZX06007HL001 |
| 名称         | 齿轮泵          |
| Part Name  | Gear pump    |
| Size(mm)   | 560×340×250  |
| Weight(kg) | 24           |



|            |                           |
|------------|---------------------------|
| Part No.   | ZX10002HL010/ZX10002HL020 |
| 名称         | 三角举升臂                     |
| Part Name  | Lift Arm                  |
| Size(mm)   | 1270×400×80               |
| Weight(kg) | 50                        |



|            |              |
|------------|--------------|
| Part No.   | ZX10004HL000 |
| 名称         | 拉杆           |
| Part Name  | Rod          |
| Size(mm)   | 1750×170×110 |
| Weight(kg) | 45           |



|            |              |
|------------|--------------|
| Part No.   | ZX06003HL100 |
| 名称         | 齿轮泵          |
| Part Name  | Gear pump    |
| Size(mm)   | 350×240×240  |
| Weight(kg) | 15           |



|            |                        |
|------------|------------------------|
| Part No.   | ZX07002FY150           |
| 名称         | 高压油管                   |
| Part Name  | High-pressure pipeline |
| Size(mm)   | 1500×45×45             |
| Weight(kg) | 3.8                    |



|            |                        |
|------------|------------------------|
| Part No.   | ZX07001FY300           |
| 名称         | 高压油管                   |
| Part Name  | High-pressure pipeline |
| Size(mm)   | 3000×45×45             |
| Weight(kg) | 7                      |



|            |                       |
|------------|-----------------------|
| Part No.   | ZX07003FY300          |
| 名称         | 低压油管                  |
| Part Name  | Low-pressure pipeline |
| Size(mm)   | 3000×60×60            |
| Weight(kg) | 6                     |



|            |                           |
|------------|---------------------------|
| Part No.   | ZX01002FY060/ZX01003FY060 |
| 名称         | 上支座                       |
| Part Name  | Cylinder upper support    |
| Size(mm)   | 366×100×360               |
| Weight(kg) | 15                        |



|            |  |
|------------|--|
| Part No.   | ZX01001FY428/ZX01002ZJ180/ZX01003ZJ180 |
| 名称         | 油缸                                     |
| Part Name  | Oil cylinder                           |
| Size(mm)   | 1480×475×335                           |
| Weight(kg) | 295                                    |



|            |              |
|------------|--------------|
| Part No.   | ZX06008HL100 |
| 名称         | 齿轮泵          |
| Part Name  | Gear pump    |
| Size(mm)   | 520×350×220  |
| Weight(kg) | 35           |



|            |                 |
|------------|-----------------|
| Part No.   | ZX05006HV981    |
| 名称         | 球阀              |
| Part Name  | Spherical valve |
| Size(mm)   | 190×80×95       |
| Weight(kg) | 0.9             |



|            |                |
|------------|----------------|
| Part No.   | ZX05008HL020   |
| 名称         | 气控换向阀(分配阀)     |
| Part Name  | Selector valve |
| Size(mm)   | 280×150×90     |
| Weight(kg) | 6              |



|            |                             |
|------------|-----------------------------|
| Part No.   | BG10013QT034                |
| 名称         | 挂车刹车调整臂                     |
| Part Name  | Trailer brake adjusting arm |
| Size(mm)   | 230×110×50                  |
| Weight(kg) | 2.1                         |



|            |  |
|------------|--|
| Part No.   | ZX10013HL500                           |
| 名称         | 后门弯板及铰链座                               |
| Part Name  | Rear door bending plate and hinge seat |
| Size(mm)   | 500×430×90                             |
| Weight(kg) | 21                                     |



|            |                    |
|------------|--------------------|
| Part No.   | ZX02003ZJ040       |
| 名称         | 油箱                 |
| Part Name  | Hydraulic oil tank |
| Size(mm)   | 500×500×380        |
| Weight(kg) | 10                 |



|            |                    |
|------------|--------------------|
| Part No.   | ZX02001HL020       |
| 名称         | 油箱                 |
| Part Name  | Hydraulic oil tank |
| Size(mm)   | 290×300×420        |
| Weight(kg) | 7                  |



|            |                           |
|------------|---------------------------|
| Part No.   | BG10021QT000/BG10019QT024 |
| 名称         | 制动气室                      |
| Part Name  | Brake chamber             |
| Size(mm)   | 280×230×50                |
| Weight(kg) | 9                         |



|            |              |
|------------|--------------|
| Part No.   | BG10015QT000 |
| 名称         | 轮胎螺丝         |
| Part Name  | Tire screw   |
| Size(mm)   | 135×47×47    |
| Weight(kg) | 0.7          |





# SHACMAN

## 陕西重型汽车进出口有限公司

SHAANXI HEAVY DUTY AUTOMOBILE IMPORT & EXPORT CO., LTD

地址：西安市经济技术开发区陕汽大道

邮编：710200

E-mail：lingpeijian@shacman.com

## SHAANXI HEAVY DUTY AUTOMOBILE IMPORT & EXPORT CO.,LTD

Address: Shaanqi Avenue, Jing Wei Industrial Park  
Xi'an Economical & Technological Development Zone, Xi'an, China  
Postcode : 710200  
E-mail : lingpeijian@shacman.com

[www.shacman.com](http://www.shacman.com)



Visit Our Wechat

Visit Our Corporate Website